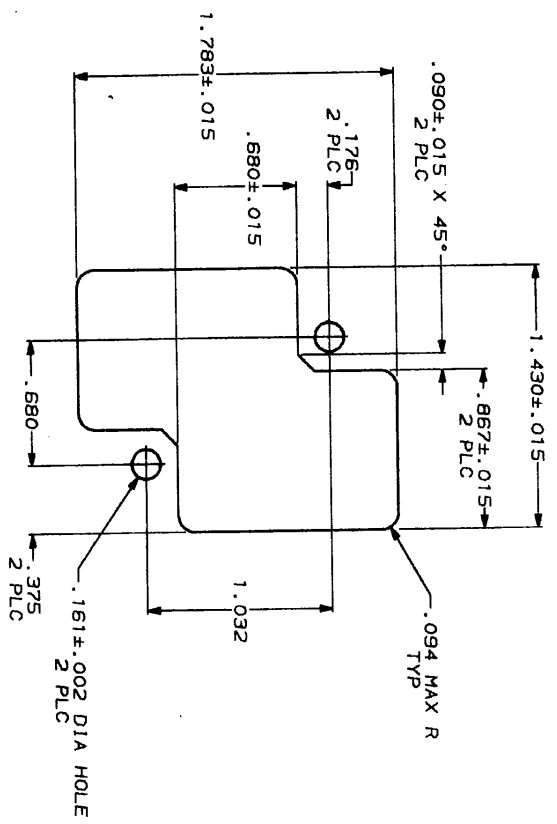
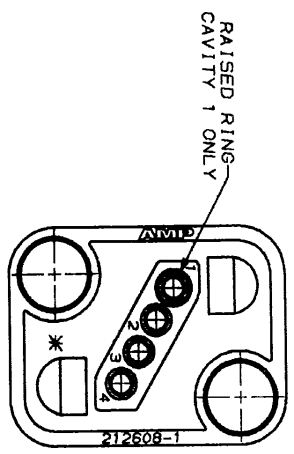
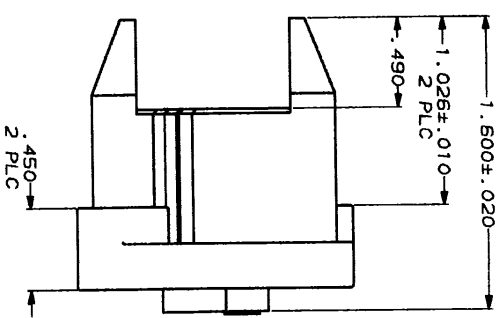
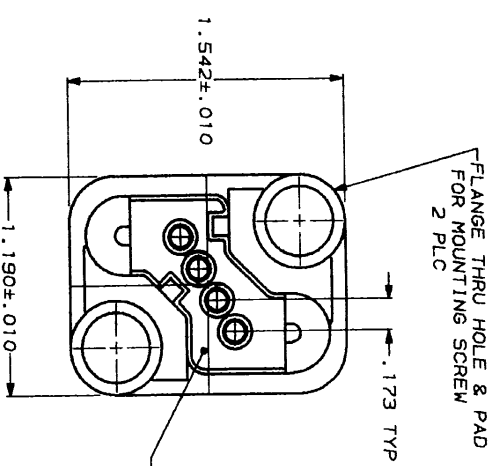


REV	DATE	BY	DESCRIPTION	DATE	APP'D
1	BD	39	REDRRAW AND REV ECH B05024		A-T



SUGGESTED PANEL CUTOUT

1. THIS CONNECTOR MATES WITH PIN HOUSING NUMBER 212609.
2. FOR MOUNTING SCREW INFORMATION SEE DRAWING NUMBER 208211.

DO NOT SCALE PRINT. UNLESS SPECIFIED DIMENSIONS IN INCHES TOLERANCES ON: 3 PLC DEC ± .005 ANGLES ± 1° MATERIAL THERMOPLASTIC BLACK		DR 05/07/91 R. SHIREY 5-13-91 APP'D A. Travis 5/12/91 PRODUCT SPEC	NAME AMP AMP Incorporated Harrisburg, PA 17105-3608
FINISH	APPLICATION SPEC	SIZE	DRAWING NO
		00779	212608
WEIGHT	SCALE	SHEET	
	2:1	1 OF 1	

PART NO
 212608-1

CUSTOMER DRAWING