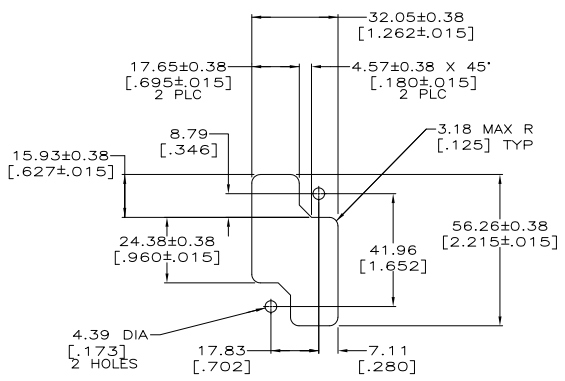
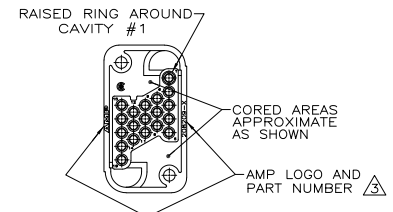
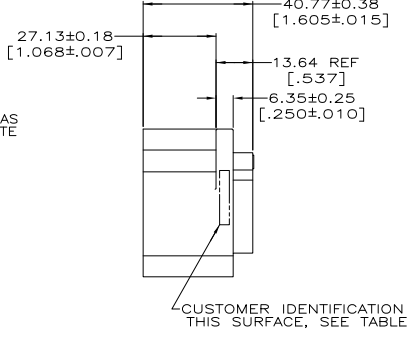
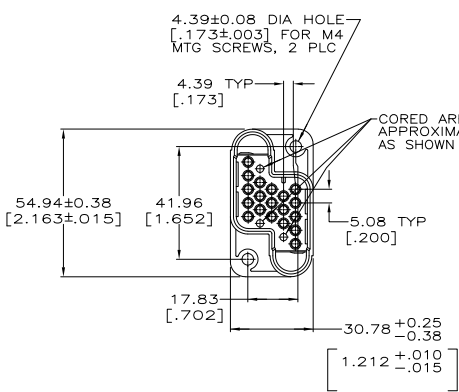


THIS DRAWING IS UNPUBLISHED. RELEASED FOR PUBLICATION. ALL RIGHTS RESERVED.

LOC	REV	DESCRIPTION	DATE	OWN	APPD
BD	37				
F	LTR				
L1		REVISED PER ECO-11-004917	11MAR11	RK	HMR



SUGGESTED PANEL CUTOUT

- 208209 MATES WITH 208210.
 - CAVITIES 1 & 19 SHOULD NOT BE USED WITH GROUND PIN.
- △ ALL DASH NUMBERS WILL HAVE 208209-2 MOLD ON THE HOUSING.

-	POLYESTER, BLUE	208209-5
-	POLYESTER, BLACK	208209-2
113P10187	POLYESTER, BLACK	208209-1

CUST IDENT	MATERIAL	PART NO
113P10187	POLYESTER, BLACK	208209-1

THIS DRAWING IS A CONTROLLED DOCUMENT.		OWN	R. SHIREY	9-9-91
		DRN	R. STONE	9-23-91
		APPD	A. TRAVIS	9-23-91
DIMENSIONS: (MM/INCHES)		TOLERANCES UNLESS OTHERWISE SPECIFIED:		
0 PLC	± .005	PRODUCT SPEC		
1 PLC	± .005	APPLICATION SPEC		
2 PLC	± 0.13 [005]	SIZE	A2	
3 PLC	± .005	CAGE CODE	00779	
4 PLC	± .005	DRAWING NO	C=208209	
ANGLES	± .1°	WEIGHT	-	
MATERIAL	SEE TABLE	FINISH	-	
		CUSTOMER DRAWING	SCALE	1:1
			SHEET	1 of 1
			REV	1