

4

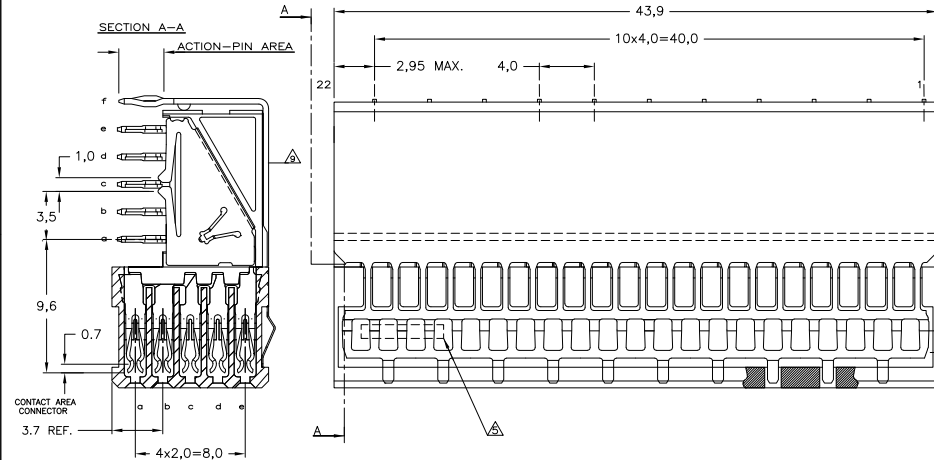
3

2

1

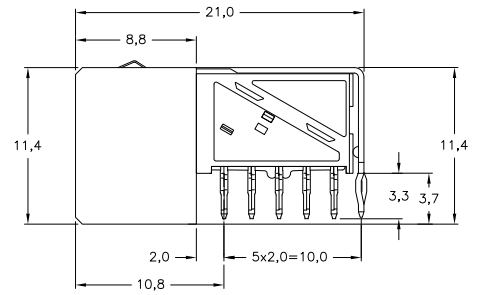
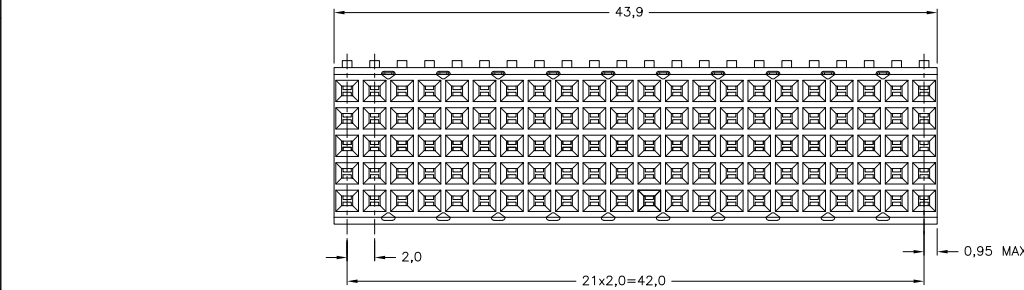
THIS DRAWING IS UNPUBLISHED. RELEASED FOR PUBLICATION  
 © COPYRIGHT BY TYCO ELECTRONICS CORPORATION. ALL RIGHTS RESERVED.

LOC	DIST	REVISIONS			
F	LR	DESCRIPTION	DATE	BY	APP'D
C		ECR-06-026577	14-11-06	BSV	BM
C1		ECR-09-009198	22-04-09	K.L.	S.Y.
D		ECR-10-018652	10SEP10	SW	MGW

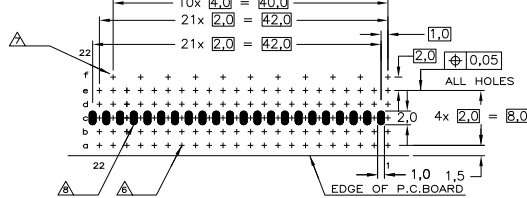


NOTES:

- ⚠ MATERIAL CONTACTS: PHOSPHORBRONZE  
MATERIAL SHIELDS: PHOSPHORBRONZE  
MATERIAL HOUSING: GLASSFILLED POLYESTER (GRAY)
  - ⚠ GENERAL CONTACT PLATING SPECIFICATION: UNDERPLATING (ENTIRE CONTACT): 1,27µm NICKEL MIN. AND ACTION PIN: 0,5µm TIN MIN.  
FOR PLATING OF MATING SURFACES SEE APPLICABLE SPECIFICATION REFERENCE FOR EACH DASH NUMBER.
  - ⚠ CONFORMS TO ALL TESTING ACCORDING IEC 61076-4-101 PERFORMANCE LEVEL 2.
  - ⚠ PLATING SHIELDS:  
GROUND RETURN SHIELD:  
CONTACT AREA: 0,76µm Au MIN.  
ACTION PIN: 1,27µm Sn MIN.  
REMAINDER: Ni
  - ⚠ REDUCED CROSS-TALK SHIELD: GOLD FLASH OVER 1,27 µm NICKEL MIN.
  - ⚠ ASSEMBLY PRINTED WITH P/N AND DATE/CODE  
THE MARKING CAN APPEAR ON THE FRONT SIDE OR ON THE BACK SIDE.
  - ⚠ HOLE PATTERN FOR FEMALE CONNECTOR TYPE B - 22 COLUMNS  
110 PLATED-THROUGH HOLES AT 2x2mm SQUARE GRID
  - ⚠ ROW "A" 11 PLATED THROUGH HOLES FOR UPERSHIELD
  - ⚠ PLATED SPOT ONLY ON COMPONENT SIDE, FORMING ONE CONTACT WITH PLATED THROUGH HOLES OF ROW C
  - ⚠ SHIELD MOUNTED ON CONNECTOR WITH DOUBLE SIDED ADHESIVE TAPE
- 10 BASIC P.N. LOWERSHIELD: 5352468



RECOMMENDED P.C.B. HOLE LAY-OUT  
 COMPONENT SIDE AS SHOWN  
 SCALE 2,5:1



P.C.B. HOLE DIM. ACTION PIN  
 FOR DETAILS SEE  
 APPLICATION SPECIFICATION

THIS DRAWING IS A CONTROLLED DOCUMENT. DIM: K.L. KIRAN 25AUG2004  
 CHK: B.MOOUJ 22MAR2005  
 DPC: B.MOOUJ 22MAR2005 NAME: Tyco Electronics Corporation  
 s-Hertogenbosch, Netherlands.

FINISH	MATERIAL	PARTNUMBER
		6345007-1

6345007

Z-PACK 2mm HM  
 TYPE B - 22 COLUMNS PRE-SHIELDED  
 RECEPTACLE WITH RED.CROSS-TALK SHIELDS

108-19082  
 APPLICATION SPEC: 114-19029  
 WEIGHT: -  
 SIZE: 108-19029  
 DATE CODE (DASH NO): A2 00779 C=6345007

CUSTOMER DRAWING SCALE: 5:1 SHEET: 1 OF 1 REV: D

AMP 1471-9 REV 31MAR2000