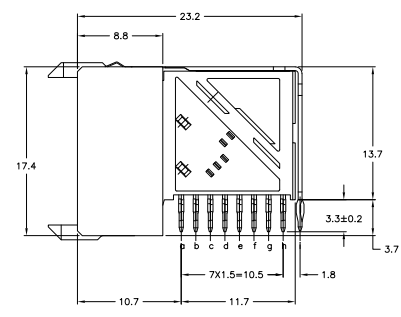
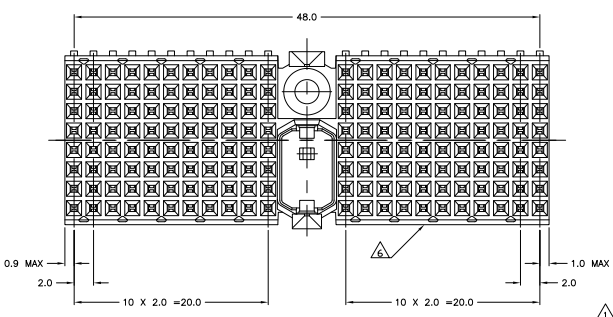
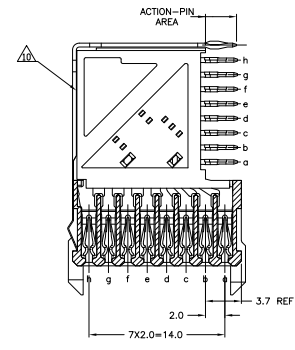
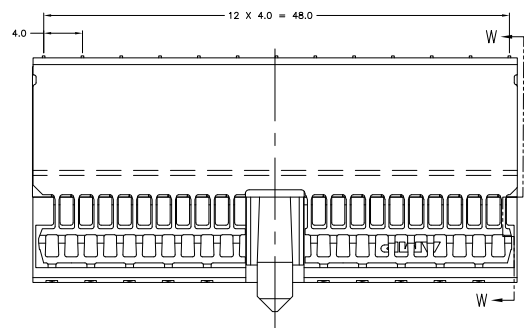
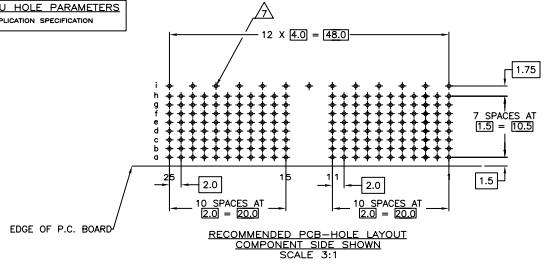


THIS DRAWING IS UNPUBLISHED  
 UNLESS INDICATED OTHERWISE  
 © 1992 TTI ELECTRONICS CORPORATION ALL RIGHTS RESERVED

REV	DATE	DESCRIPTION	BY	CHKD
E4	REVISED FOR ECR-10-001916		JY	SY
F	ECR-10-018652		JIS	MQW



PLATED THRU HOLE PARAMETERS  
 REFERENCE APPLICATION SPECIFICATION



- △ MATERIAL:  
CONTACT: PHOSPHOR BRONZE.  
HOUSING: GLASS-FILLED POLYESTER.
- △ GENERAL PLATING SPECIFICATION: UNDERPLATING  
(ENTIRE CONTACT); 1.27µm MIN NICKEL AND ACTION  
PIN: 0.5µm MIN TIN/LEAD.  
FOR PLATING OF MATING SURFACES SEE APPLICABLE  
SPECIFICATION REFERENCE FOR EACH DASH NUMBER.
- △ CONFORMS TO ALL TESTING ACCORDING TO IEC 61076-4-101  
PERFORMANCE LEVEL 2.
- △ CONNECTOR TESTED AND QUALIFIED AGAINST TELCORDIA GR-1217-CORE QUALITY LEVEL 3,  
CENTRAL OFFICE APPLICATIONS.
- △ CONNECTOR TESTED AND QUALIFIED AGAINST TELCORDIA GR-1217-CORE QUALITY LEVEL 3,  
UNCONTROLLED ENVIRONMENT APPLICATIONS.
- △ CONNECTOR MARKED WITH PART NUMBER AND DATE CODE.  
ADDITIONAL CHARACTERS OR MARKINGS, AS WELL AS THE LOCATION OF THE MARKINGS,  
MAY BE ADDED FOR TRACEABILITY BASED UPON MANUFACTURERS DISCRETION.
- △ PLATED-THROUGH HOLES AT 2x1.5mm GRID  
176 TOTAL HOLES.
- △ ROW "I" 13 PLATED THROUGH HOLES FOR UPERSHIELD.
- △ CONNECTOR & SHIELD LUBRICATED WITH BELCORE APPROVED LUBRICANT,  
TECHNICAL REFERENCE: TR-NWT-001217 ISSUE 1, SEP 1992.
- △ SHIELD MOUNTED ON CONNECTOR WITH DOUBLE SIDED ADHESIVE TAPE  
OR ADHESIVE.
- △ OBSOLETE PARTS: OBSOLETE CIS STREAMLINING PER D.RENAUD/D.SINISI
- △ 0.76µm MIN GOLD PLATING AT MATING SURFACES.

△	△	△	△	3-646486-0
△	△	△	△	1-646486-9
△	△	△	△	646486-9
△	△	△	△	646486-1
FINISH				PART NUMBER

THIS DRAWING IS A CONTROLLED DOCUMENT.		REVISED	DATE	BY	CHKD
DESIGNER	DATE	REVISED	DATE	BY	CHKD
108-1622	114-19029	108-1622	114-19029		
CUSTOMER DRAWING		DATE		BY	CHKD
		100779		G-646486	