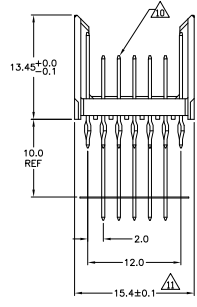
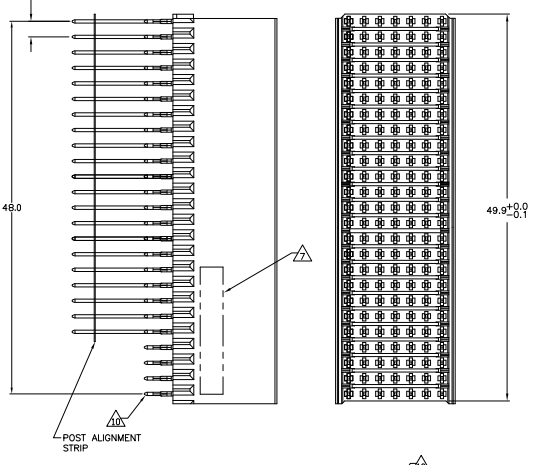


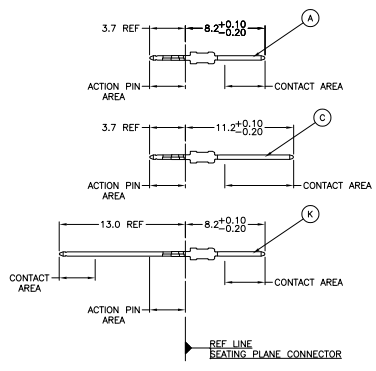
THIS DRAWING IS UNPUBLISHED. RECEIVED FOR INFORMATION
 © 2008 BY TDS ELECTRONICS CORPORATION. ALL RIGHTS RESERVED.

REV	DATE	DESCRIPTION	BY	CHK	APP
AD	00				
C		REVISED PER EDN 0212-0304-05	13MM04	JDP	GES

**CONNECTOR ASSEMBLY
 EXAMPLARY LOADED** Δ



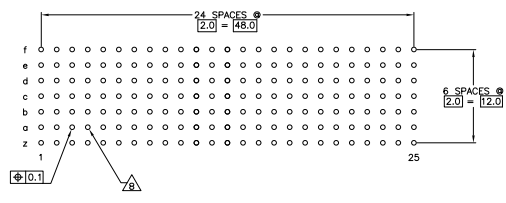
CONTACT DIMENSIONS
 SCALE 5:1



CONTACT LAYOUT

	z	a	b	c	d	e	f
1	C	K	K	K	K	K	C
2	C	K	K	K	K	K	C
3	C	K	K	K	K	K	C
4	C	K	K	K	K	K	C
5	C	K	K	K	K	K	C
6	C	K	K	K	K	K	C
7	C	K	K	K	K	K	C
8	C	K	K	K	K	K	C
9	C	K	K	K	K	K	C
10	C	K	K	K	K	K	C
11	C	K	K	K	K	K	C
12	C	K	K	K	K	K	C
13	C	K	K	K	K	K	C
14	C	K	K	K	K	K	C
15	C	K	K	K	K	K	C
16	C	K	K	K	K	K	C
17	C	K	K	K	K	K	C
18	C	K	K	K	K	K	C
19	C	K	K	K	K	K	C
20	C	K	K	K	K	K	C
21	C	K	K	K	K	K	C
22	C	A	A	A	A	A	C
23	C	A	A	A	A	A	C
24	C	A	A	A	A	A	C
25	C	A	A	A	A	A	C

**RECOMMENDED PCB-HOLE LAYOUT
 COMPONENT SIDE SHOWN**



PLATED THRU HOLES PARAMETERS
 REFERENCE APPLICATION SPECIFICATION

Δ	1-352232-9
Δ	352232-9
Δ	352232-4
Δ	352232-1
FINISH	PART NUMBER

THIS DRAWING IS A CONTROLLED DOCUMENT.		DESIGNED BY	SKIPPERS	DATE	11/08/02	REVISED BY	SKIPPERS	DATE	11/14/02	REVISED BY	SKIPPERS	DATE	11/14/02	REVISED BY	SKIPPERS	DATE	11/14/02
INCHES	mm	108-19082	108-19082	114-19029	114-19029	114-19029	114-19029	114-19029	114-19029	114-19029	114-19029	114-19029	114-19029	114-19029	114-19029	114-19029	114-19029
DRAWN BY		CHECKED BY		APPROVED BY		CUSTOMER DRAWING		SCALE		SHEET		OF		REV		C	

