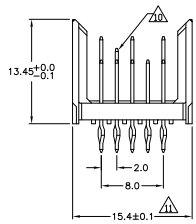
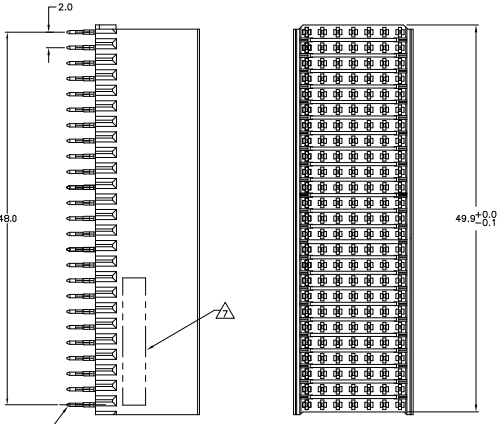


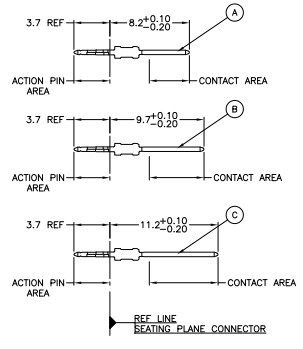
THIS DRAWING IS UNPUBLISHED. ALL RIGHTS RESERVED.
 © 2008 BY TYS ELECTRONICS CORPORATION. ALL RIGHTS RESERVED.

REV	DATE	DESCRIPTION	BY	CHK	APP
B		REVISED PER EEN 0212-0304-05	13MADK	JDP	GES
C		ECR-10-019054	18SEP10	SW	MOW

**CONNECTOR ASSEMBLY
 EXAMPLARY LOADED**



CONTACT DIMENSIONS
 SCALE 5:1

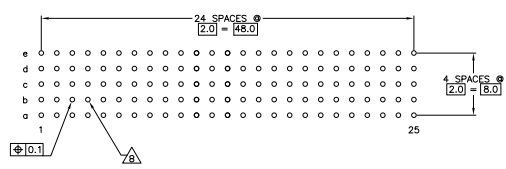


CONTACT LAYOUT

	z	a	b	c	d	e	f
1	A	A	A	A	A		
2	A	A	A	A	A		
3	A	A	A	A	A		
4	A	A	A	A	A		
5	A	A	A	A	A		
6	A	A	A	A	A		
7	A	A	A	A	A		
8	A	A	A	A	A		
9	A	A	A	A	A		
10	A	A	A	A	A		
11	A	A	A	A	A		
12	A	A	A	A	A		
13	C	B	C	A	C		
14	A	A	A	A	A		
15	A	A	A	A	C		
16	A	A	A	A	A		
17	A	A	A	A	A		
18	A	A	A	A	A		
19	A	A	A	A	A		
20	A	A	A	A	A		
21	C	B	C	A	A		
22	A	A	A	A	A		
23	A	A	A	A	A		
24	A	A	A	A	A		
25	A	A	A	A	A		

RECOMMENDED PCB-HOLE LAYOUT
 COMPONENT SIDE SHOWN

PLATED THRU HOLES PARAMETERS
 REFERENCE APPLICATION SPECIFICATION



	1-352107-9
	352107-9
	352107-4
	352107-1
FINISH	PART NUMBER

THIS DRAWING IS A CONTROLLED DOCUMENT.		DESIGNED BY	DESIGNED	DATE	REVISED BY	REVISED	DATE	REVISED BY	REVISED	DATE
INCHES	mm	108-19082	108-19082	114-19029	108-19082	108-19082	114-19029	108-19082	108-19082	114-19029
SEE TABLE		CUSTOMER DRAWING		DATE	SIZE	SCALE	DRAWING NO.	REV	REVISED	DATE
					A1	4:1	00779	352107	1	2

AMP 480 REV 2/2008

THIS DRAWING IS UNAPPROVED FOR PUBLICATION
 © 1992 TELCO BY TELCO ELECTRONICS CORPORATION ALL RIGHTS RESERVED

REVISE		REVISIONS		
NO	DATE	BY	DESCRIPTION	DATE
AD	00		SEE SHEET 1	

- △ MATERIAL:
CONTACT: PHOSPHOR BRONZE.
HOUSING: GLASS-FILLED POLYESTER.
- △ GENERAL PLATING SPECIFICATION: UNDERPLATING
(ENTIRE CONTACT): 1.27μm MIN NICKEL AND ACTION
PIN: 0.5μm MIN TIN/LEAD.
FOR PLATING OF MATING SURFACES SEE APPLICABLE
SPECIFICATION REFERENCE FOR EACH DASH NUMBER.
- △ CONFORMS TO ALL TESTING ACCORDING TO IEC 61076-4-101
PERFORMANCE LEVEL 2.
- △ CONFORMS TO ALL TESTING ACCORDING TO IEC 61076-4-101
PERFORMANCE LEVEL 1.
- △ CONNECTOR TESTED AND QUALIFIED AGAINST TELCORDIA GR-1217-CORE QUALITY LEVEL 3,
CENTRAL OFFICE APPLICATIONS.
- △ CONNECTOR TESTED AND QUALIFIED AGAINST TELCORDIA GR-1217-CORE QUALITY LEVEL 3,
UNCONTROLLED ENVIRONMENT APPLICATIONS.
- △ CONNECTOR MARKED WITH PART NUMBER AND DATE CODE.
ADDITIONAL CHARACTERS OR MARKINGS, AS WELL AS THE LOCATION OF THE MARKINGS,
MAY BE ADDED FOR TRACEABILITY BASED UPON MANUFACTURERS DISCRETION.
- △ PLATED-THROUGH HOLES AT 2x2mm SQUARE GRID
PATTERN DEFINED BY CONTACT LAYOUT.
- △ FOR ACTUAL PIN LOADING SEE "CONTACT LAYOUT".
- △ FOR ACTUAL PIN DIMENSIONS SEE "CONTACT DIMENSIONS".
- △ TO BE MEASURED AT BOTTOM OF SHROUD.
- △ CONNECTOR LUBRICATED WITH BELCORE APPROVED LUBRICANT,
TECHNICAL REFERENCE: TR-NWT-001217 ISSUE 1, SEP 1992.

THIS DRAWING IS A CONTROLLED DOCUMENT		DR. CARSO	DR0001	Tyco Electronics Corporation Harrisburg, Pa 17105-2608	
DESIGNER: [Signature]		DR. SKIFFER	DR0001	MALE ASSEMBLY, 2-PACK 2mm HM, TYPE B	
CHECKED: [Signature]		DR. SKIFFER	DR0001	108-19082	
DATE: 114-19029		REVISED BY: [Signature]		SIZE: 4.1	
SEE SHEET 1		SEE SHEET 1		CUSTOMER DRAWING	