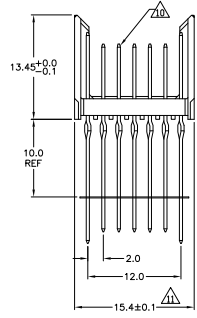
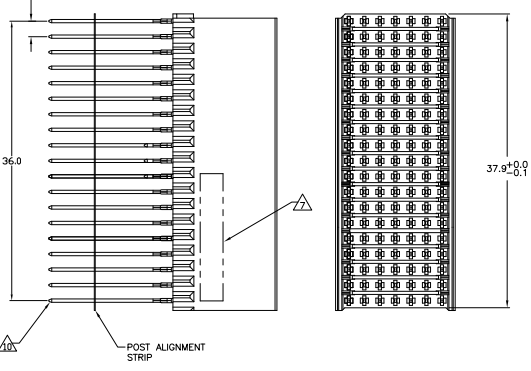


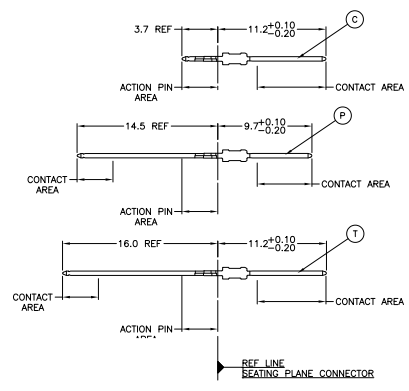
THIS DRAWING IS UNPUBLISHED. ALL RIGHTS RESERVED.
 © 2015 TTI ELECTRONICS CORPORATION. ALL RIGHTS RESERVED.

REV	DATE	DESCRIPTION	BY	CHK	APP
E		REVISED PER EDN 0212-0304-05	18AM06	JDP	GES
F		ECR-10-018652	10SEP16	SW	MOW

**CONNECTOR ASSEMBLY
EXAMPLARY LOADED**



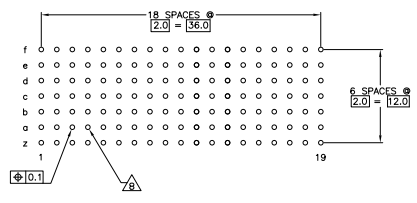
CONTACT DIMENSIONS
SCALE 5:1



CONTACT LAYOUT

	z	a	b	c	d	e	f
1	T	P	P	P	P	P	T
2	T	P	P	P	P	P	T
3	T	P	P	P	P	P	T
4	T	P	P	P	P	P	T
5	T	P	P	P	P	P	T
6	T	P	P	P	P	P	T
7	T	P	P	P	P	P	T
8	T	P	P	P	P	P	T
9	C	P	P	P	P	P	C
10	C	P	P	P	P	P	C
11	C	P	P	P	P	P	C
12	T	P	P	P	P	P	T
13	T	P	P	P	P	P	T
14	T	P	P	P	P	P	T
15	T	P	P	P	P	P	T
16	T	P	P	P	P	P	T
17	T	P	P	P	P	P	T
18	T	P	P	P	P	P	T
19	T	P	P	P	P	P	T

**RECOMMENDED PCB-HOLE LAYOUT
COMPONENT SIDE SHOWN**



PLATED THRU HOLES PARAMETERS
REFERENCE APPLICATION SPECIFICATION

OBsolete	1-352711-9
	352711-9
	352711-4
	352711-1
FINISH	PART NUMBER

THIS DRAWING IS A CONTROLLED DOCUMENT.		DESIGNED BY	SKETCHED BY	DATE	REVISED BY	DATE	REVISED BY	DATE	REVISED BY	DATE
DRAWING NO.		114-19029	TITLE		MALE ASSEMBLY, 2-PACK 2mm HM, TYPE B		DRAWING NO.		100779	
CUSTOMER DRAWING		DATE		114-19029		DRAWING NO.		100779		REVISED BY

THIS DRAWING IS UNPUBLISHED. ALL RIGHTS RESERVED.
 © 2005 TELCORDIA TECHNOLOGIES, INC. ALL RIGHTS RESERVED.

REV	DATE	DESCRIPTION	BY	APP
00				
01		SEE SHEET 1		

- △ MATERIAL:
CONTACT: PHOSPHOR BRONZE.
HOUSING: GLASS-FILLED POLYESTER.
- △ GENERAL PLATING SPECIFICATION: UNDERPLATING
(ENTIRE CONTACT): 1.27µm MIN NICKEL AND ACTION
PIN: 0.5µm MIN TIN/LEAD.
FOR PLATING OF MATING SURFACES SEE APPLICABLE
SPECIFICATION REFERENCE FOR EACH DASH NUMBER.
- △ CONFORMS TO ALL TESTING ACCORDING TO IEC 61076-4-101
PERFORMANCE LEVEL 2.
- △ CONFORMS TO ALL TESTING ACCORDING TO IEC 61076-4-101
PERFORMANCE LEVEL 1.
- △ CONNECTOR TESTED AND QUALIFIED AGAINST TELCORDIA GR-1217-CORE QUALITY LEVEL 3,
CENTRAL OFFICE APPLICATIONS.
- △ CONNECTOR TESTED AND QUALIFIED AGAINST TELCORDIA GR-1217-CORE QUALITY LEVEL 3,
UNCONTROLLED ENVIRONMENT APPLICATIONS.
- △ CONNECTOR MARKED WITH PART NUMBER AND DATE CODE.
ADDITIONAL CHARACTERS OR MARKINGS, AS WELL AS THE LOCATION OF THE MARKINGS,
MAY BE ADDED FOR TRACEABILITY BASED UPON MANUFACTURERS DISCRETION.
- △ PLATED-THROUGH HOLES AT 2x2mm SQUARE GRID
PATTERN DEFINED BY CONTACT LAYOUT.
- △ FOR ACTUAL PIN LOADING SEE "CONTACT LAYOUT".
- △ FOR ACTUAL PIN DIMENSIONS SEE "CONTACT DIMENSIONS".
- △ TO BE MEASURED AT BOTTOM OF SHROUD.
- △ CONNECTOR LUBRICATED WITH BELCORE APPROVED LUBRICANT,
TECHNICAL REFERENCE: TR-NWT-001217 ISSUE 1, SEP 1992.

THIS DRAWING IS A CONTROLLED DOCUMENT.		DESIGNED BY	SKETCHED BY	DATE	REVISED BY	DATE	REVISED BY	DATE	REVISED BY	DATE	REVISED BY
DRAWN BY		114-19029	108-19082								
CHECKED BY											
APPROVED BY											
DATE		114-19029	108-19082								
DRAWING NO.		114-19029	108-19082								
CUSTOMER DRAWING											
DRAWING NO.		114-19029	108-19082								
DATE		114-19029	108-19082								
DRAWING NO.		114-19029	108-19082								
DATE		114-19029	108-19082								
DRAWING NO.		114-19029	108-19082								
DATE		114-19029	108-19082								
DRAWING NO.		114-19029	108-19082								
DATE		114-19029	108-19082								
DRAWING NO.		114-19029	108-19082								
DATE		114-19029	108-19082								
DRAWING NO.		114-19029	108-19082								
DATE		114-19029	108-19082								
DRAWING NO.		114-19029	108-19082								
DATE		114-19029	108-19082								
DRAWING NO.		114-19029	108-19082								
DATE		114-19029	108-19082								
DRAWING NO.		114-19029	108-19082								
DATE		114-19029	108-19082								
DRAWING NO.		114-19029	108-19082								
DATE		114-19029	108-19082								
DRAWING NO.		114-19029	108-19082								
DATE		114-19029	108-19082								
DRAWING NO.		114-19029	108-19082								
DATE		114-19029	108-19082								
DRAWING NO.		114-19029	108-19082								
DATE		114-19029	108-19082								
DRAWING NO.		114-19029	108-19082								
DATE		114-19029	108-19082								
DRAWING NO.		114-19029	108-19082								
DATE		114-19029	108-19082								
DRAWING NO.		114-19029	108-19082								
DATE		114-19029	108-19082								
DRAWING NO.		114-19029	108-19082								
DATE		114-19029	108-19082								
DRAWING NO.		114-19029	108-19082								
DATE		114-19029	108-19082								
DRAWING NO.		114-19029	108-19082								
DATE		114-19029	108-19082								
DRAWING NO.		114-19029	108-19082								
DATE		114-19029	108-19082								
DRAWING NO.		114-19029	108-19082								
DATE		114-19029	108-19082								
DRAWING NO.		114-19029	108-19082								
DATE		114-19029	108-19082								
DRAWING NO.		114-19029	108-19082								
DATE		114-19029	108-19082								
DRAWING NO.		114-19029	108-19082								
DATE		114-19029	108-19082								
DRAWING NO.		114-19029	108-19082								
DATE		114-19029	108-19082								
DRAWING NO.		114-19029	108-19082								
DATE		114-19029	108-19082								
DRAWING NO.		114-19029	108-19082								
DATE		114-19029	108-19082								
DRAWING NO.		114-19029	108-19082								
DATE		114-19029	108-19082								
DRAWING NO.		114-19029	108-19082								
DATE		114-19029	108-19082								
DRAWING NO.		114-19029	108-19082								
DATE		114-19029	108-19082								
DRAWING NO.		114-19029	108-19082								
DATE		114-19029	108-19082								
DRAWING NO.		114-19029	108-19082								
DATE		114-19029	108-19082								
DRAWING NO.		114-19029	108-19082								
DATE		114-19029	108-19082								
DRAWING NO.		114-19029	108-19082								
DATE		114-19029	108-19082								
DRAWING NO.		114-19029	108-19082								
DATE		114-19029	108-19082								
DRAWING NO.		114-19029	108-19082								
DATE		114-19029	108-19082								
DRAWING NO.		114-19029	108-19082								
DATE		114-19029	108-19082								
DRAWING NO.		114-19029	108-19082								
DATE		114-19029	108-19082								
DRAWING NO.		114-19029	108-19082								
DATE		114-19029	108-19082								
DRAWING NO.		114-19029	108-19082								
DATE		114-19029	108-19082								
DRAWING NO.		114-19029	108-19082								
DATE		114-19029	108-19082								
DRAWING NO.		114-19029	108-19082								
DATE		114-19029	108-19082								
DRAWING NO.		114-19029	108-19082								
DATE		114-19029	108-19082								
DRAWING NO.		114-19029	108-19082								
DATE		114-19029	108-19082								
DRAWING NO.		114-19029	108-19082								
DATE		114-19029	108-19082								
DRAWING NO.		114-19029	108-19082								
DATE		114-19029	108-19082								
DRAWING NO.		114-19029	108-19082								
DATE		114-19029	108-19082								
DRAWING NO.		114-19029	108-19082								
DATE		114-19029	108-19082								
DRAWING NO.		114-19029	108-19082								
DATE		114-19029	108-19082								
DRAWING NO.		114-19029	108-19082								
DATE		114-19029	108-19082								
DRAWING NO.		114-19029	108-19082								
DATE		114-19029	108-19082								
DRAWING NO.		114-19029	108-19082								
DATE		114-19029	108-19082								
DRAWING NO.		114-19029	108-19082								
DATE		114-19029	108-19082								
DRAWING NO.		114-19029	108-19082								
DATE		114-19029	108-19082								
DRAWING NO.		114-19029	108-19082								
DATE		114-19029	108-19082								
DRAWING NO.		114-19029	108-19082								
DATE		114-19029	108-19082								
DRAWING NO.		114-19029	108-19082								
DATE		114-19029	108-19082								
DRAWING NO.		114-19029	108-19082								
DATE		114-19029	108-19082								
DRAWING NO.		114-19029	108-19082								
DATE		114-19029	108-19082								
DRAWING NO.		114-19029	108-19082								
DATE		114-19029	108-19082								
DRAWING NO.		114-19029	108-19082								
DATE		114-19029	108-19082								
DRAWING NO.		114-19029	108-19082								
DATE		114-19029	108-19082								
DRAWING NO.		114-19029	108-19082								