

4

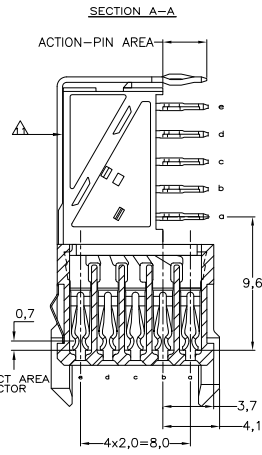
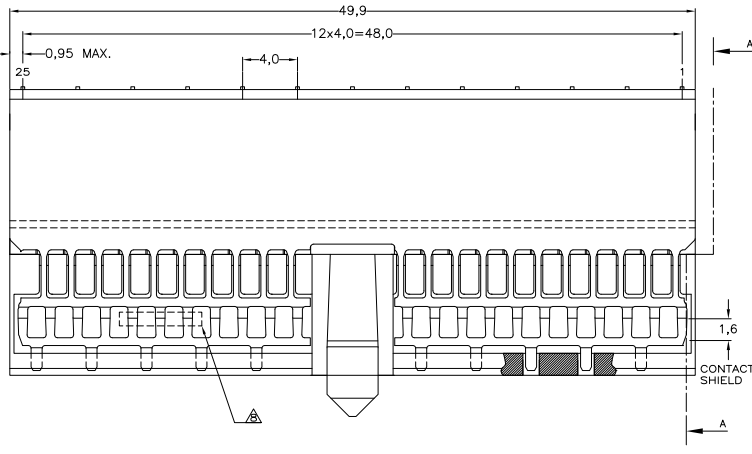
3

2

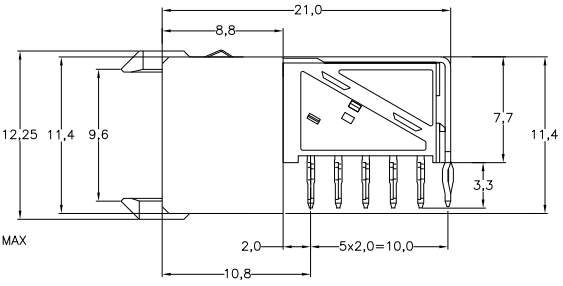
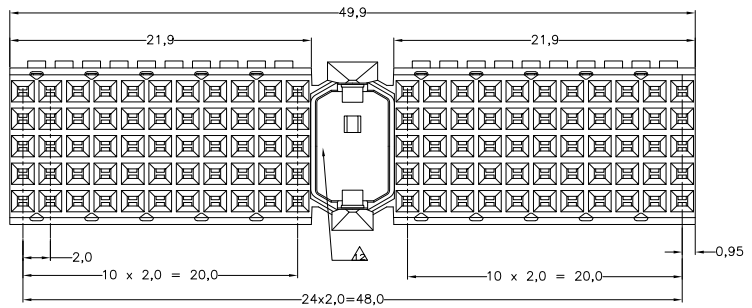
1

THIS DRAWING IS UNPUBLISHED. RELEASED FOR PUBLICATION  
 © COPYRIGHT BY TYCO ELECTRONICS CORPORATION. ALL RIGHTS RESERVED.

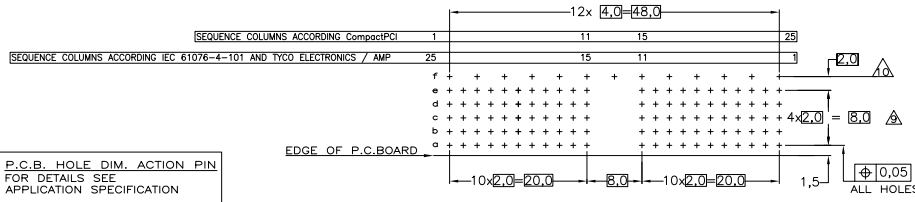
LOC	DIST	REVISIONS			
F	LNK	DESCRIPTION	DATE	BY	APPD
H4		REVISED PER ECO-10-001916	02FEB2010	JY	SY
J		ECR-10-018652	10SEP10	SW	MQW



- NOTES:
- △ MATERIAL CONTACTS: PHOSPHORBRONZE
  - △ MATERIAL HOUSING: GLASSFILLED POLYESTER (GRAY)
  - △ GENERAL PLATING SPECIFICATION: UNDERPLATING (ENTIRE CONTACT): 1,27µm NICKEL MIN. AND ACTION PIN: 0,5µm TIN-LEAD MIN. FOR PLATING OF MATING SURFACES SEE APPLICABLE SPECIFICATION REFERENCE FOR EACH DASH NUMBER
  - △ CONFORMS TO ALL TESTING ACCORDING IEC 61076-4-101 PERFORMANCE LEVEL 2.
  - △ CONFORMS TO ALL TESTING ACCORDING IEC 61076-4-101 PERFORMANCE LEVEL 1.
  - △ CONNECTOR TESTED AND QUALIFIED AGAINST TELCORDIA GR-1217-CORE QUALITY LEVEL III, CENTRAL OFFICE APPLICATIONS.
  - △ CONNECTOR LUBRICATED WITH TELCORDIA GR-1217-CORE APPROVED LUBRICANT.
  - △ PLATING SHIELD:  
CONTACT AREA: 0,76µm Au MIN.  
ACTION PIN : 0,5µm SnPb MIN.  
REMAINDER : Ni
  - △ ASSEMBLY PRINTED WITH P/N AND DATECODE  
THE MARKING CAN APPEAR ON THE FRONT SIDE OR BACK SIDE.
  - △ HOLE PATTERN FOR FEMALE CONNECTOR TYPE A  
110 PLATED-THROUGH HOLES AT 2x2mm SQUARE GRID
  - △ ROW "f" 13 PLATED THROUGH HOLES FOR UPSHIELD
  - △ SHIELD MOUNTED ON CONNECTOR WITH DOUBLE SIDED ADHESIVE TAPE OR ADHESIVE
  - △ AREA RESERVED FOR KEYING PART (BASIC P.N. 100526)  
13 BASIC P.N. LOWERSHIELD: 338108
  - △ 0.76µm MIN GOLD PLATING AT MATING SURFACES.



COMPONENT SIDE AS SHOWN  
 RECOMMENDED PCB-HOLE LAY-OUT  
 SCALE 2,5:1



△△△△	△	3-352068-0
△△△△	△	352068-9
△△△△	△	352068-4
△△△△	△	352068-1
FINISH		MATERIAL PARTNUMBER

THIS DRAWING IS A CONTROLLED DOCUMENT.

DIM. D. TRUREN	20JAN97	Tyco Electronics Corporation a-HertogenBosch,Netherlands.	
CHK	-	Z-PACK 2MM HM	
APPRO	-	TYPE A - 25 COLUMNS	
PRODUCT SPEC	108-19082	PRE-SHIELDED RECEPTACLE	
APPLICATION SPEC	114-19029	SIZE	ONE CODE
HEIGHT	-	A2	00779
MATERIAL	FINISH	CUSTOMER DRAWING	
SCALE		NTS	
SHEET		1 of 1	
REV		J	

AMP 1471-9 REV 31MM2000

352068

B

A