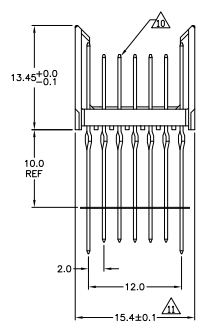
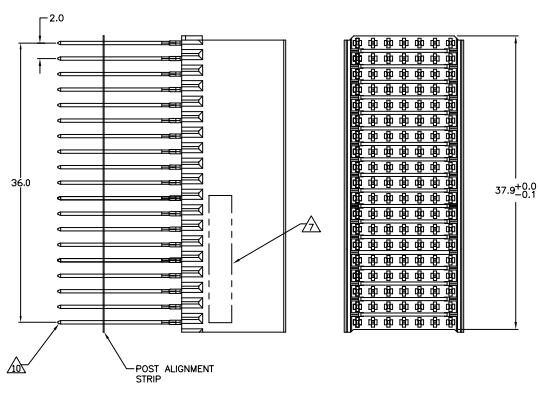
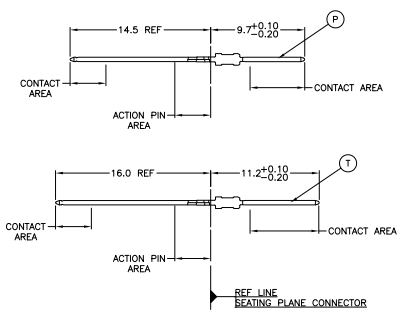


**CONNECTOR ASSEMBLY  
EXAMPLARY LOADED**



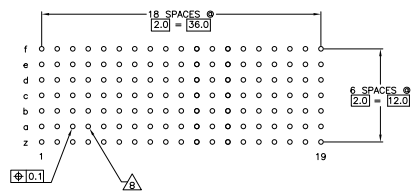
**CONTACT DIMENSIONS**  
SCALE 5:1



**CONTACT LAYOUT**

	z	a	b	c	d	e	f
1	T	P	P	P	P	T	
2	T	P	P	P	P	T	
3	T	P	P	P	P	T	
4	T	P	P	P	P	T	
5	T	P	P	P	P	T	
6	T	P	P	P	P	T	
7	T	P	P	P	P	T	
8	T	P	P	P	P	T	
9	T	P	P	P	P	T	
10	T	P	P	P	P	T	
11	T	P	P	P	P	T	
12	T	P	P	P	P	T	
13	T	P	P	P	P	T	
14	T	P	P	P	P	T	
15	T	P	P	P	P	T	
16	T	P	P	P	P	T	
17	T	P	P	P	P	T	
18	T	P	P	P	P	T	
19	T	P	P	P	P	T	

**RECOMMENDED PCB-HOLE LAYOUT  
COMPONENT SIDE SHOWN**



**PLATED THRU HOLES PARAMETERS**  
REFERENCE APPLICATION SPECIFICATION

△△△	3-352127-0
△△△	1-352127-9
△△△	352127-9
△△	352127-4
△△	352127-1
△△	PART NUMBER

THIS DRAWING IS A CONTROLLED DOCUMENT. TSC PARTS 120000

YSC Electronics Corporation  
Harrisburg, Pa 17105-3608

MALE ASSEMBLY, 2-PACK 2mm HM, TYPE B

DESIGNER	108-19082	DATE	114-19029
DATE	114-19029	REV	A1
CUSTOMER DRAWING	00779	REV	C=352127

THIS DRAWING IS UNPUBLISHED  
 © 2005 TELCORDIA CORPORATION ALL RIGHTS RESERVED

REV	DATE	DESCRIPTION	BY	APP
00				
01		SEE SHEET 1		

- △ MATERIAL:  
CONTACT: PHOSPHOR BRONZE.  
HOUSING: GLASS-FILLED POLYESTER.
- △ GENERAL PLATING SPECIFICATION: UNDERPLATING  
(ENTIRE CONTACT): 1.27µm MIN NICKEL AND ACTION  
PIN: 0.5µm MIN TIN/LEAD.  
FOR PLATING OF MATING SURFACES SEE APPLICABLE  
SPECIFICATION REFERENCE FOR EACH DASH NUMBER.
- △ CONFORMS TO ALL TESTING ACCORDING TO IEC 61076-4-101  
PERFORMANCE LEVEL 2.
- △ CONFORMS TO ALL TESTING ACCORDING TO IEC 61076-4-101  
PERFORMANCE LEVEL 1.
- △ CONNECTOR TESTED AND QUALIFIED AGAINST TELCORDIA GR-1217-CORE QUALITY LEVEL 3,  
CENTRAL OFFICE APPLICATIONS.
- △ CONNECTOR TESTED AND QUALIFIED AGAINST TELCORDIA GR-1217-CORE QUALITY LEVEL 3,  
UNCONTROLLED ENVIRONMENT APPLICATIONS.
- △ CONNECTOR MARKED WITH PART NUMBER AND DATE CODE.  
ADDITIONAL CHARACTERS OR MARKINGS, AS WELL AS THE LOCATION OF THE MARKINGS,  
MAY BE ADDED FOR TRACEABILITY BASED UPON MANUFACTURERS DISCRETION.
- △ PLATED-THROUGH HOLES AT 2x2mm SQUARE GRID  
PATTERN DEFINED BY CONTACT LAYOUT.
- △ FOR ACTUAL PIN LOADING SEE "CONTACT LAYOUT".
- △ FOR ACTUAL PIN DIMENSIONS SEE "CONTACT DIMENSIONS".
- △ TO BE MEASURED AT BOTTOM OF SHROUD.
- △ CONNECTOR LUBRICATED WITH BELCORE APPROVED LUBRICANT,  
TECHNICAL REFERENCE: TR-NWT-001217 ISSUE 1, SEP 1992.
- △ 0.76µm MIN. GOLD PLATING AT MATING SURFACES.

THIS DRAWING IS A CONTROLLED DOCUMENT.		REVISED BY	12/05/01	Telcordia Corporation Harrisburg, Pa 17105-3608	
DESIGNER	ENGINEER	DR	SKESPER	DATE	12/05/01
108-19082	108-19082	REVISED BY	SKESPER	DATE	12/05/01
114-19029	114-19029	REVISED BY	SKESPER	DATE	12/05/01
SEE SHEET 1	SEE SHEET 1	REVISED BY	SKESPER	DATE	12/05/01
CUSTOMER DRAWING		REVISED BY	SKESPER	DATE	12/05/01
			SIZE	DATE	DRAWING NO
			A1	00779	352127
			SHEET	4	OF 2
			REV	2	OF 2