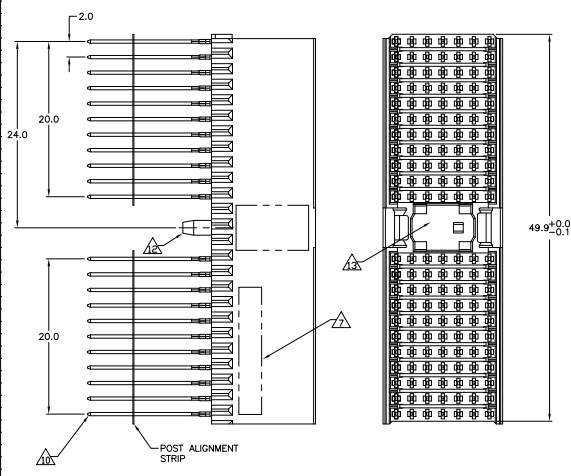


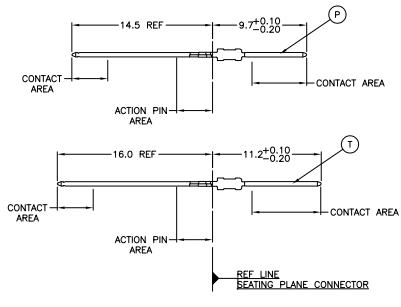
THIS DRAWING IS UNPUBLISHED. ALL RIGHTS RESERVED.
 RECEIVED FOR INFORMATION
 BY THE ELECTRONICS CORPORATION

REV	DATE	DESCRIPTION	BY	CHKD
D	REV PER EC 0512-0304-05		1306205	BC GS
D1	REVISED PER EC0-09-021826		0466209	KK AEG
E	ECR-10-019054		1566216	DP MQM

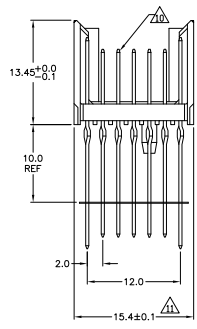
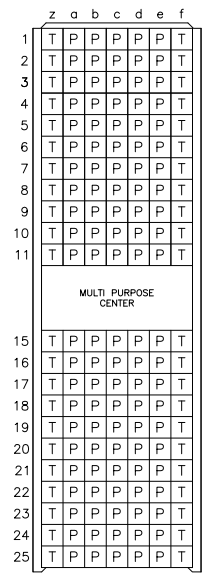
CONNECTOR ASSEMBLY EXEMPLARY LOADED Δ



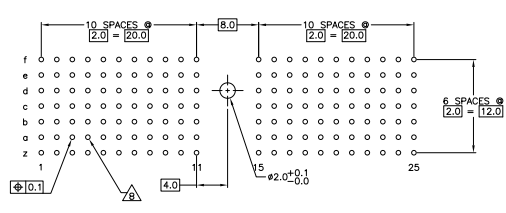
CONTACT DIMENSIONS SCALE 5:1



CONTACT LAYOUT



RECOMMENDED PCB-HOLE LAYOUT COMPONENT SIDE SHOWN



PLATED THRU HOLES PARAMETERS REFERENCE APPLICATION SPECIFICATION

Δ OBSOLETE	1-188578-9
Δ	-188578-9
Δ	188578-4
Δ	188578-1
Δ	PART NUMBER

THIS DRAWING IS A CONTROLLED DOCUMENT.

DESIGNED BY	DATE	REVISED BY	DATE
108-19082	114-19029		
108-19082	114-19029		
108-19082	114-19029		

Male Electronics Corporation
 Harrisburg, Pa 17105-3608

MALE ASSEMBLY, 2-PACK 2mm HM, TYPE A

CUSTOMER DRAWING

MP 485 REV 2/2005

