

4

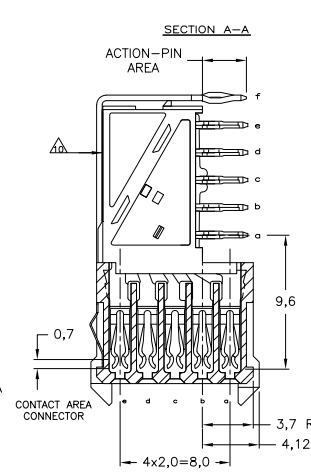
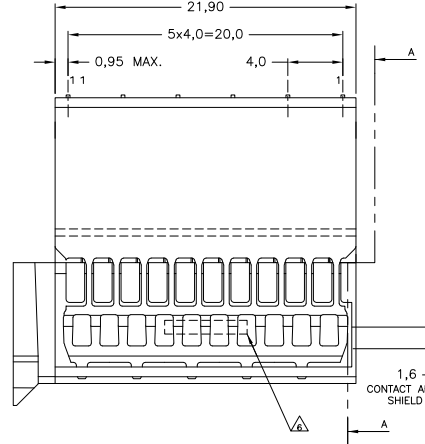
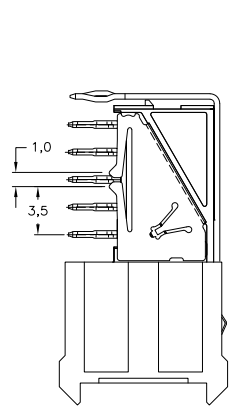
3

2

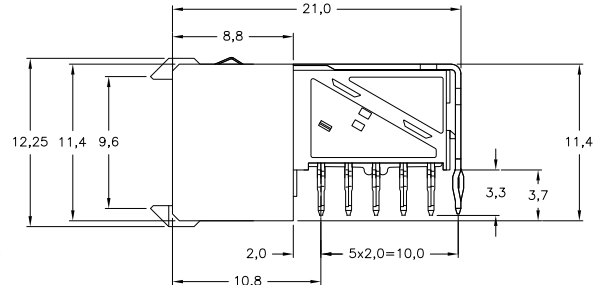
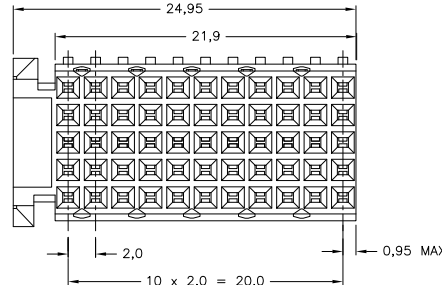
1

THIS DRAWING IS UNPUBLISHED. RELEASED FOR PUBLICATION.
 © COPYRIGHT BY TYCO ELECTRONICS CORPORATION. ALL RIGHTS RESERVED.

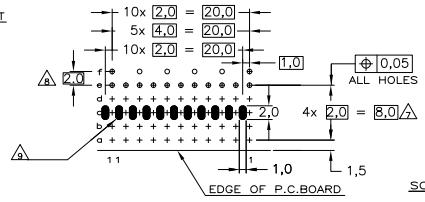
LOC		DIST		REVISIONS			
F	LNK	DESCRIPTION	DATE	BY	APPD		
C2		ECR-07-030919	21DEC2007	JvH	BM		
C3		REVISED PER ECO-10-000444	04NOV09	KK	AEG		
D		ECR-10-018652	10SEP10	SW	MQW		



- NOTES:
- △ MATERIAL CONTACTS; PHOSPHORBRONZE
 - △ MATERIAL SHIELDS ; PHOSPHORBRONZE
 - △ MATERIAL HOUSING; GLASSFILLED POLYESTER (GRAY)
 - △ GENERAL CONTACT PLATING SPECIFICATION: UNDERPLATING (ENTIRE CONTACT): 1,27µm NICKEL MIN. AND ACTION PIN: 0,5µm TIN MIN. FOR PLATING OF MATING SURFACES SEE APPLICABLE SPECIFICATION REFERENCE FOR EACH DASH NUMBER.
 - △ CONFORMS TO ALL TESTING ACCORDING IEC 61076-4-101 PERFORMANCE LEVEL 2.
 - △ CONFORMS TO ALL TESTING ACCORDING IEC 61076-4-101 PERFORMANCE LEVEL 1.
 - △ PLATING SHIELDS : GROUND RETURN SHIELD: CONTACT AREA : 0,75µm Au MIN. ACTION PIN : 0,5µm Sn MIN. REMAINDER : Ni
 - △ REDUCED CROSS-TALK SHIELD: GOLD FLASH OVER 1,27 µm NICKEL MIN.
 - △ ASSEMBLY PRINTED WITH P/N AND DATECODE. THE MARKING CAN APPEAR ON THE FRONT SIDE OR ON THE BACK SIDE.
 - △ HOLE PATTERN FOR FEMALE CONNECTOR TYPE C 55 PLATED-THROUGH HOLES AT 2x2mm SQUARE GRID
 - △ ROW "F" 6 PLATED THROUGH HOLES FOR UPPERSHIELD
 - △ PLATED SPOT ONLY ON COMPONENT SIDE. FORMING ONE CONTACT WITH PLATED THROUGH HOLES OF ROW C.
 - △ SHIELD MOUNTED ON CONNECTOR WITH DOUBLE SIDED ADHESIVE TAPE OR ADHESIVE
 - 11. FITS WITH LOWERSHIELD, BASIC PARTNUMBER : 5352112.
 - △2. OBSOLETE PARTS: OBSOLETE CIS STREAMLINING PER D.RENAUD/D.SINISI



RECOMMENDED P.C.B. HOLE LAY-OUT
 COMPONENT SIDE AS SHOWN



P.C.B. HOLE DIM. ACTION PIN
 FOR DETAILS SEE
 APPLICATION SPECIFICATION

△ OBSOLETE	△ △ △ △	△ △ △ △	△ △ △ △	5352346-4
	△ △ △ △	△ △ △ △	△ △ △ △	5352346-1
	△ △ △ △	△ △ △ △	△ △ △ △	5352346-1
	△ △ △ △	△ △ △ △	△ △ △ △	5352346-1

THIS DRAWING IS A CONTROLLED DOCUMENT.		DRW: K.N.KIRAN 24AUG2004	Tyco Electronics Corporation	
DIMENSIONS: mm		CHK: S.MOJIB 22MAR2005	's--Hertogenbosch,5222AR-32	
TOLERANCES UNLESS OTHERWISE SPECIFIED:		APPC: S.MOJIB 22MAR2005	NAME: Tyco Electronics	
D-PLD ±0.2		PRODUCT SPEC: B.MOJIB	Z-PACK 2mm HM	
E-PLD ±0.2		APPLICATION SPEC: 108-19082	TYPE C PRE-SHIELDED RECEPTACLE	
F-PLD ±0.2		HEIGHT: 14-19029	WITH RED.CROSS-TALK SHIELDS	
G-PLD ±0.2		SIZE: A2	ONE CODE (DRAWING TO): 00779	RESTRICTED TO: -
H-PLD ±0.2		CUSTOMER DRAWING	C=5352346	SCALE: 5:1 SHEET: 1 OF 1 REV: D

AMP 1471-9 REV 31MAR2000

5352346

A