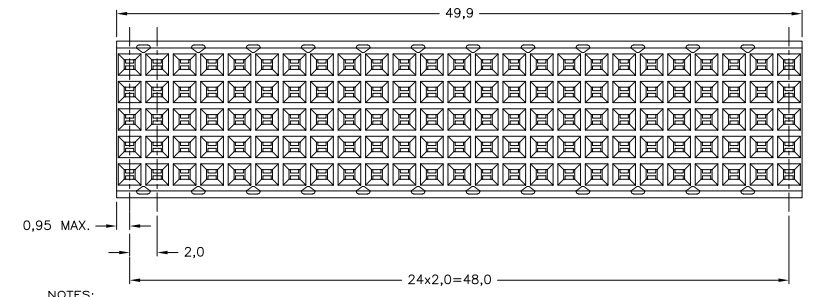
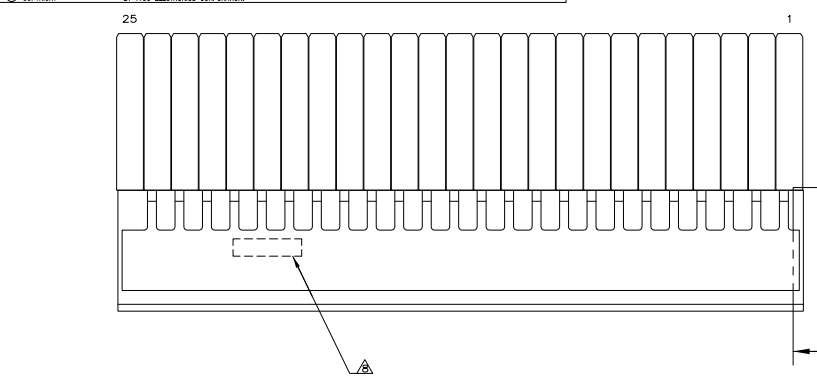
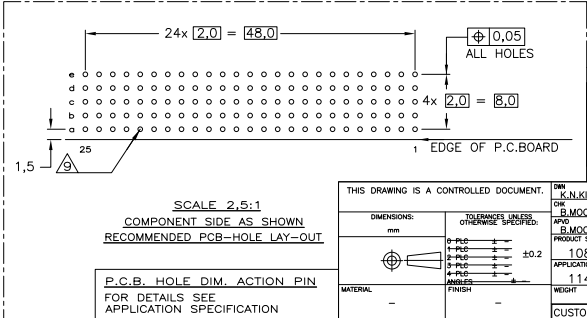
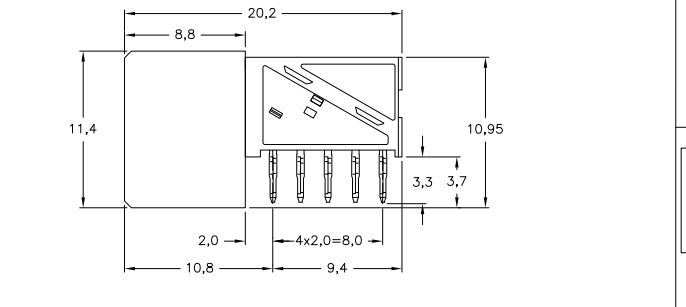
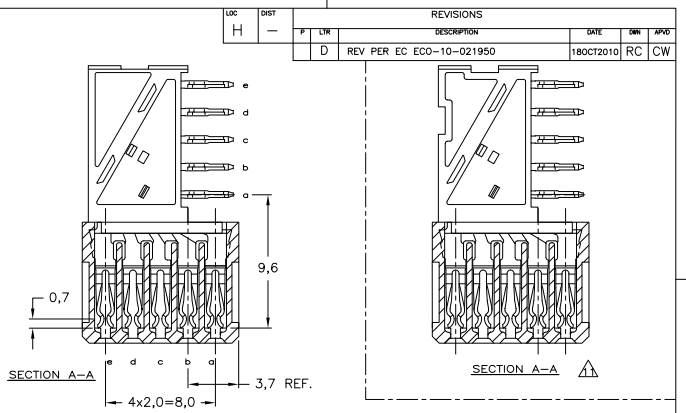


THIS DRAWING IS UNPUBLISHED. RELEASED FOR PUBLICATION BY TYCO ELECTRONICS CORPORATION. ALL RIGHTS RESERVED.



- NOTES:**
- 1 MATERIAL CONTACT: PHOSPHORBRONZE
MATERIAL HOUSING: GLASSFILLED POLYESTER (GRAY)
UL-RATING 94V0.
 - 2 GENERAL PLATING SPECIFICATION: UNDERPLATING (ENTIRE CONTACT): 1.27µm NICKEL MIN.
AND ACTION PIN: 0.5µm TIN MIN.
FOR PLATING OF MATING SURFACES SEE APPLICABLE SPECIFICATION REFERENCE FOR EACH DASH NUMBER.
 - 3 CONFORMS TO ALL TESTING ACCORDING IEC 61076-4-101 PERFORMANCE LEVEL 2.
 - 4 CONFORMS TO ALL TESTING ACCORDING IEC 61076-4-101 PERFORMANCE LEVEL 1.
 - 5 CONNECTOR TESTED AND QUALIFIED AGAINST TELCORDIA GR-1217-CORE QUALITY LEVEL III, CENTRAL OFFICE APPLICATIONS.
 - 6 CONNECTOR TESTED AND QUALIFIED AGAINST TELCORDIA GR-1217-CORE QUALITY LEVEL III, UNCONTROLLED ENVIRONMENT APPLICATIONS.
 - 7 CONNECTOR LUBRICATED WITH TELCORDIA GR-1217-CORE APPROVED LUBRICANT.
 - 8 CONNECTOR PRINTED WITH PARTNUMBER AND DATECODE
THE MARKING CAN APPEAR ON THE FRONT SIDE OR ON THE BACK SIDE.
 - 9 PLATED-THROUGH HOLES AT 2x2mm SQUARE GRID. 125 HOLES
 - 10 FITS WITH INTEGRATED GROUND RETURN UPERSHIELD, BASIC P.N. 533B109
AND INTEGRATED GROUND RETURN LOWERSHIELD, BASIC P.N. 533B110
 - 11 CONNECTOR ASSEMBLED WITH REDESIGNED CONTACTS.
 - 12 OBSOLETE PARTS: OBSOLETE CIS STREAMLINING PER D.RENAUD/D.SINISI
 - 13 0.76µm MIN. GOLD PLATING AT MATING SURFACES.



SCALE 2,5:1
COMPONENT SIDE AS SHOWN
RECOMMENDED PCB-HOLE LAY-OUT

P.C.B. HOLE DIM. ACTION PIN
FOR DETAILS SEE
APPLICATION SPECIFICATION

REVISONS		DATE	BY	APPD
F	LR			
D	REV PER EC	18OCT2010	RC	CW

FINISH	MATERIAL	PARTNUMBER
△△△		3-5100145-0
△△△		1-5100145-9
△△△		5100145-9
△△△		5100145-4
△△△		5100145-1

THIS DRAWING IS A CONTROLLED DOCUMENT.

DWG: K.N.KIBAN	05AUG2004	Tyco Electronics Corporation
CHK: B.MOOU	22SEP2004	's-Hertogenbosch, 5222AR-32
APP: B.MOOU		
PRODUCT SPEC: 108-19082		
APPLICATION SPEC: 114-19029		
WEIGHT: -		
MATERIAL: -		
FINISH: -		

Z-PACK 2mm HM TYPE B
125 POS. FEMALE CONNECTOR

SIZE: A2 QAGE CODE: 00779 DRAWING NO: C=5100145 RESTRICTED TO: -

CUSTOMER DRAWING SCALE: 4:1 SHEET: 1 OF 1 REV: D

AMP 1471-9 REV 31MM2000