

4

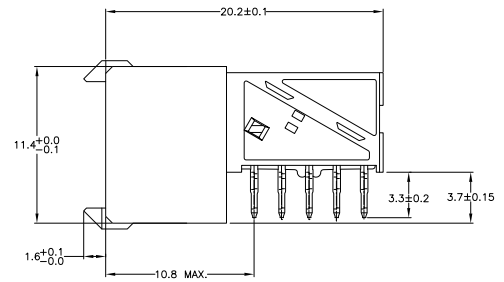
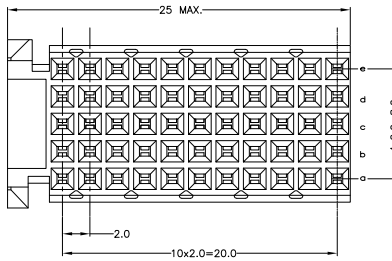
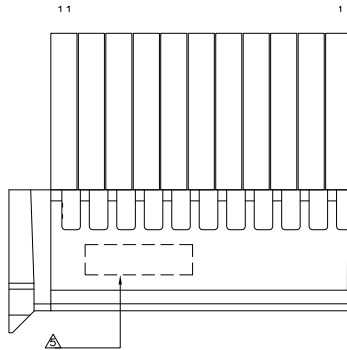
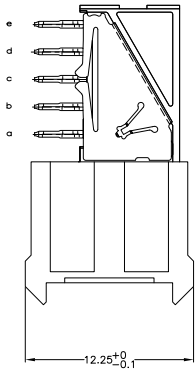
3

2

1

THIS DRAWING IS UNPUBLISHED. RELEASED FOR PUBLICATION ZMD 212  
 COPYRIGHT BY TYCO ELECTRONICS CORPORATION. ALL RIGHTS RESERVED.

LOC	DIST	REVISIONS		
H	-	F	LR	
		J	ECR-06-026577	14-11-08 BSV BM
		J1	REVISED PER ECO-09-021826	04SEP09 KK AEG
		K	ECR-10-018652	10SEP10 SW MQW

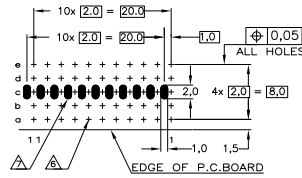


NOTES:

- △ CONTACT: PHOSPHORBRONZE  
REDUCED CROSS-TALK SHIELD: PHOSPHORBRONZE  
HOUSING: GLASSFILLED POLYESTER (GRAY)
- △ GENERAL CONTACT PLATING SPECIFICATION: UNDERPLATING (ENTIRE CONTACT): 1,27µm NICKEL MIN. AND ACTION PIN: 0,5µm TIN-LEAD MIN.  
FOR PLATING OF MATING SURFACES SEE APPLICABLE SPECIFICATION REFERENCE FOR EACH DASH NUMBER.  
REDUCED CROSS-TALK SHIELD: GOLD FLASH OVER 1,27 µm NICKEL MIN.
- △ CONFORMS TO ALL TESTING ACCORDING IEC 61076-4-101 PERFORMANCE LEVEL 2
- △ CONFORMS TO ALL TESTING ACCORDING IEC 61076-4-101 PERFORMANCE LEVEL 1.
- △ CONNECTOR PRINTED WITH PARTNUMBER AND DATECODE (OTHER MARKING OPTIONAL)  
THE MARKING CAN APPEAR ON THE FRONT SIDE OR THE BACK SIDE.
- △ PLATED-THROUGH HOLES AT 2x2mm SQUARE GRID TOTAL 55 HOLES.
- △ PLATED SPOT ONLY ON COMPONENT SIDE, FORMING ONE CONTACT WITH PLATED THROUGH HOLES OF ROW C.
- △ OBSOLETE PARTS: OBSOLETE CIS STREAMLINING PER D.RENAUD/D.SINISI

RECOMMENDED P.C.B. HOLE LAY-OUT

COMPONENT SIDE AS SHOWN  
 SCALE 2,5:1



P.C.B. HOLE DIM. ACTION PIN

FOR DETAILS SEE APPLICATION SPECIFICATION

△ OBSOLETE	△	△	△	188224-4
	△	△	△	188224-1
	△	△	△	PARTNUMBER

THIS DRAWING IS A CONTROLLED DOCUMENT. DW: D.TRUBEN 17DEC01  
 CW: W.V.D.HEIJDEN  
 APD: F.V.KONINGSBRUGGE  
 PRODUCT SPEC: 108-19082  
 APPLICATION SPEC: 114-19029  
 WEIGHT: -

Tyco Electronics Corporation  
 s-HerfogenBosch,Netherlands.

Z-PACK 2MM HM TYPE C  
 55 POS. FEMALE DAUGHTER CARD CONN.  
 WITH REDUCED CROSS-TALK SHIELD

SIZE: A2 00779 ©=188224  
 CUSTOMER DRAWING SCALE: 5:1 SHEET: 1 OF 1 REV: K