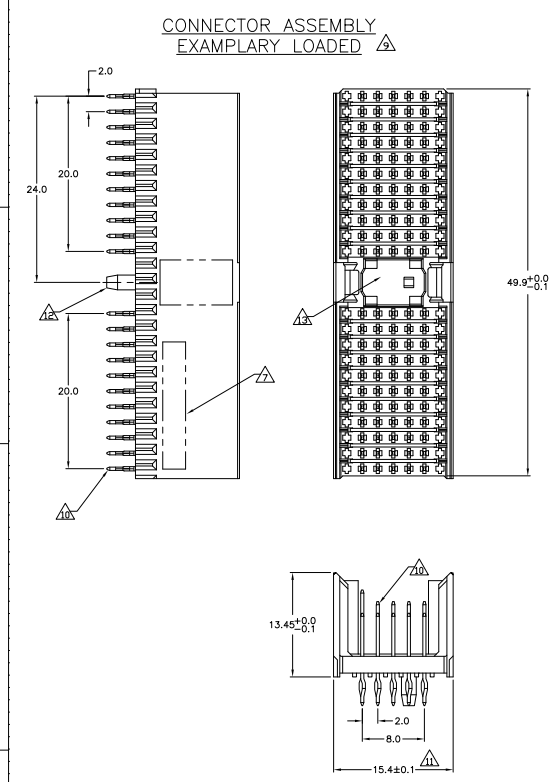


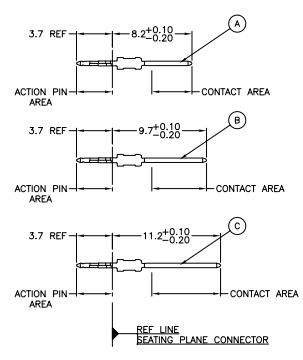
THIS DRAWING IS UNPUBLISHED. REVISIONS FOR INFORMATION. ALL RIGHTS RESERVED.

REV	DATE	DESCRIPTION	BY	CHK	APP
C	13MAY06	REVISOR PER EDN 0212-0304-05	JDP	GES	
C1	04SEP09	ECR-09-020932	KK	AEG	
D	15SEP10	ECR-10-019054	DP	MCN	



CONTACT DIMENSIONS

SCALE 5:1



CONTACT LAYOUT

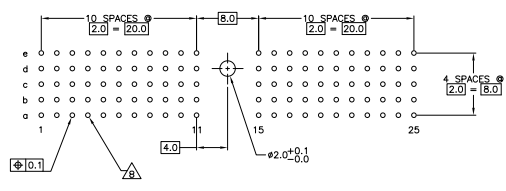
	z	a	b	c	d	e	f
1	A	A	A	A	A		
2	A	A	A	A	A		
3	A	A	A	A	A		
4	A	A	A	A	A		
5	A	A	A	A	A		
6	A	A	A	A	A		
7	A	A	A	A	A		
8	A	A	A	A	A		
9	A	A	A	A	A		
10	C	B	B	B	B		
11	C	B	B	B	B		
MULTI PURPOSE CENTER							
15	C	B	B	B	B		
16	C	B	B	B	B		
17	A	A	A	A	A		
18	A	A	A	A	A		
19	A	A	A	A	A		
20	A	A	A	A	A		
21	A	A	A	A	A		
22	A	A	A	A	A		
23	A	A	A	A	A		
24	A	A	A	A	A		
25	A	A	A	A	A		

RECOMMENDED PCB-HOLE LAYOUT

COMPONENT SIDE SHOWN

PLATED THRU HOLES PARAMETERS

REFERENCE APPLICATION SPECIFICATION



Δ	1-188733-9
Δ	188733-9
Δ	188733-4
Δ	188733-1
FINISH	PART NUMBER

THIS DRAWING IS A CONTROLLED DOCUMENT.		DESIGNED BY	DESIGNED BY	DATE	DATE	DATE	DATE	DATE	DATE
INCHES	mm	SKUPPER	SKUPPER	108-19082	114-19029	108-19082	114-19029	108-19082	114-19029
SEE TABLE		CUSTOMER DRAWING		DATE	DATE	DATE	DATE	DATE	DATE
		A1		00779	G=188733				

THIS DRAWING IS UNPUBLISHED	NECESSARY FOR VERIFICATION
© COPYRIGHT 1992 BY TYSO ELECTRONICS CORPORATION. ALL RIGHTS RESERVED.	

REV	DATE	DESCRIPTION	BY	APP'D
AD	00			
-	-	SEE SHEET 1	-	-

- ▲ MATERIAL:
CONTACT: PHOSPHOR BRONZE.
HOUSING: GLASS-FILLED POLYESTER.
- ▲ GENERAL PLATING SPECIFICATION: UNDERPLATING
(ENTIRE CONTACT): 1.27µm MIN NICKEL AND ACTION
PIN: 0.5µm MIN TIN/LEAD.
FOR PLATING OF MATING SURFACES SEE APPLICABLE
SPECIFICATION REFERENCE FOR EACH DASH NUMBER.
- ▲ CONFORMS TO ALL TESTING ACCORDING TO IEC 61076-4-101
PERFORMANCE LEVEL 2.
- ▲ CONFORMS TO ALL TESTING ACCORDING TO IEC 61076-4-101
PERFORMANCE LEVEL 1.
- ▲ CONNECTOR TESTED AND QUALIFIED AGAINST TELCORDIA GR-1217-CORE QUALITY LEVEL 3,
CENTRAL OFFICE APPLICATIONS.
- ▲ CONNECTOR TESTED AND QUALIFIED AGAINST TELCORDIA GR-1217-CORE QUALITY LEVEL 3,
UNCONTROLLED ENVIRONMENT APPLICATIONS.
- ▲ CONNECTOR MARKED WITH PART NUMBER AND DATE CODE.
ADDITIONAL CHARACTERS OR MARKINGS, AS WELL AS THE LOCATION OF THE MARKINGS,
MAY BE ADDED FOR TRACEABILITY BASED UPON MANUFACTURERS DISCRETION.
- ▲ PLATED-THROUGH HOLES AT 2x2mm SQUARE GRID
PATTERN DEFINED BY CONTACT LAYOUT.
- ▲ FOR ACTUAL PIN LOADING SEE "CONTACT LAYOUT".
- ▲ FOR ACTUAL PIN DIMENSIONS SEE "CONTACT DIMENSIONS".
- ▲ TO BE MEASURED AT BOTTOM OF SHROUD.
- ▲ POLARIZATION FEATURE.
- ▲ AREA RESERVED FOR KEYING PART (BASIC P/N 100525).
- ▲ CONNECTOR LUBRICATED WITH BELCORE APPROVED LUBRICANT,
TECHNICAL REFERENCE: TR-NWT-001217 ISSUE 1, SEP 1992.
- ▲ OBSOLETE PARTS: OBSOLETE CIS STREAMLINING PER D.RENAUD/D.SINISI

THIS DRAWING IS A CONTROLLED DOCUMENT.		DESIGNED BY	REVISION	TYSO ELECTRONICS CORPORATION Harrisburg, Pa 17105-3608	
DRAWN BY		CHECKED BY	DATE	MALE ASSEMBLY, 2-PACK 2mm HM, TYPE A	
REVISIONS		DATE	DESCRIPTION	REVISED BY	
114-19029		108-19082	114-19029	108-19082	
SEE SHEET 1		SEE SHEET 1	SEE SHEET 1	SEE SHEET 1	
CUSTOMER DRAWING		DATE	SIZE	DRAWING NO.	
		A1	4.1	100779 (G=188733)	
				REVISED TO	
				REVISED BY	