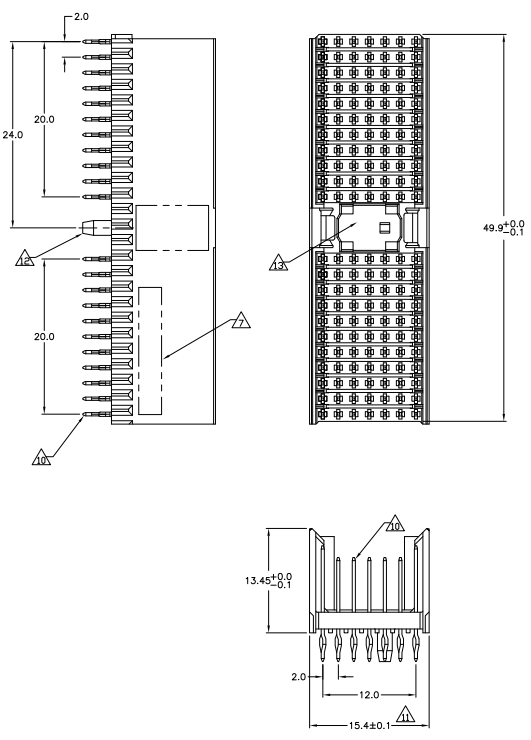


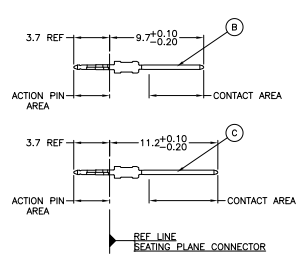
THIS DRAWING IS UNPUBLISHED. ALL RIGHTS RESERVED.
 © 2008 BY TYS ELECTRONICS CORPORATION. ALL RIGHTS RESERVED.

REV	DATE	DESCRIPTION	BY	CHK	APP
B		REVISED PER EC 0512-0306-05	24MM106	BC	GS
B1		REVISED PER ECO-10-000444	16MM110	KK	AEG
C		ECR-10-019054	1552P10	DP	MCW

CONNECTOR ASSEMBLY EXAMPLARY LOADED



CONTACT DIMENSIONS SCALE 5:1

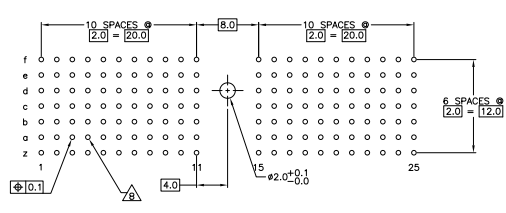


CONTACT LAYOUT

	z	a	b	c	d	e	f
1	C	B	B	B	B	B	C
2	C	B	B	B	B	B	C
3	C	B	B	B	B	B	C
4	C	B	B	B	B	B	C
5	C	B	B	B	B	B	C
6	C	B	B	B	B	B	C
7	C	B	B	B	B	B	C
8	C	B	B	B	B	B	C
9	C	B	B	B	B	B	C
10	C	B	B	B	B	B	C
MULTI PURPOSE CENTER							
15	C	B	B	B	B	B	C
16	C	B	B	B	B	B	C
17	C	B	B	B	B	B	C
18	C	B	B	B	B	B	C
19	C	B	B	B	B	B	C
20	C	B	B	B	B	B	C
21	C	B	B	B	B	B	C
22	C	B	B	B	B	B	C
23	C	B	B	B	B	B	C
24	C	B	B	B	B	B	C
25	C	B	B	B	B	B	C

RECOMMENDED PCB-HOLE LAYOUT COMPONENT SIDE SHOWN

PLATED THRU HOLES PARAMETERS REFERENCE APPLICATION SPECIFICATION



OBsolete	5188399-9
5188399-9	5188399-9
5188399-4	5188399-4
5188399-1	5188399-1
FINISH	PART NUMBER

THIS DRAWING IS A CONTROLLED DOCUMENT.		BY: CAERO	DATE: 10B-19082	REVISED PER: 114-19029	DATE: 114-19029	REVISED PER: A100779	DATE: 05188399	REVISED PER: 114-19029	DATE: 114-19029	REVISED PER: A100779	DATE: 05188399
DESIGNER: MM	ENGINEER: JAG	BY: SKIFFER	DATE: 10B-19082	REVISED PER: 114-19029	DATE: 114-19029	REVISED PER: A100779	DATE: 05188399	REVISED PER: 114-19029	DATE: 114-19029	REVISED PER: A100779	DATE: 05188399
DRAWING NO: 114-19029		REVISED PER: A100779		DATE: 05188399		REVISED PER: 114-19029		DATE: 114-19029		REVISED PER: A100779	
SEE TABLE		CUSTOMER DRAWING		REVISED PER: 114-19029		DATE: 114-19029		REVISED PER: A100779		DATE: 05188399	

