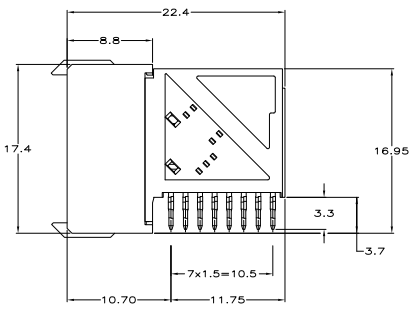
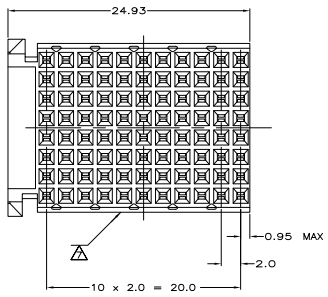
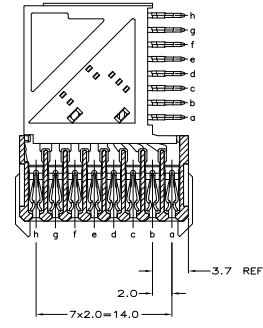
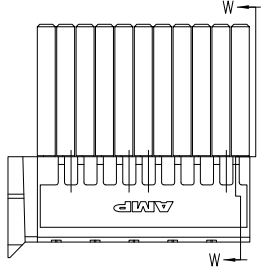
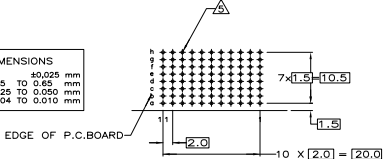


| REV | DATE | DESCRIPTION | BY | CHKD |
|-----|-----------------------|-------------|--------------|------|
| F2 | REV PER ECR-10-001914 | | 02FER2010 JY | SY |
| G | ECR-10-018652 | | 10SEP10 JS | MOV |



| PCB HOLE DIMENSIONS | |
|---------------------|-------------------|
| DRILLED HOLE | 0.7 ±0.025 mm |
| FIN. HOLE | 2.55 TO 0.65 mm |
| Cu-thks | 0.025 TO 0.050 mm |
| SnPb-thks | 0.004 TO 0.010 mm |



RECOMMENDED PCB HOLE LAYOUT
 COMPONENT SIDE
 SCALE 2.5:1

- ⚠ MATERIAL:
 CONTACT: PHOSPHOR BRONZE.
 HOUSING: GLASS-FILLED POLYESTER.
- ⚠ GENERAL PLATING SPECIFICATION: UNDERPLATING
 (ENTIRE CONTACT): 1.27µm MIN NICKEL AND ACTION
 PIN: 0.5µm MIN TIN/LEAD.
 FOR PLATING OF MATING SURFACES SEE APPLICABLE
 SPECIFICATION REFERENCE FOR EACH DASH NUMBER.
- ⚠ CONFORMS TO ALL TESTING ACCORDING TO IEC 61076-4-101
 PERFORMANCE LEVEL 2.
- ⚠ CONNECTOR TESTED AND QUALIFIED AGAINST TELCORDIA GR-1217-CORE QUALITY LEVEL 3,
 CENTRAL OFFICE APPLICATIONS.
- ⚠ PLATED THROUGH HOLES AT 2x1.5mm GRID. 88 TOTAL HOLES.
- ⚠ CONTACT AREA LUBRICATED WITH BELLCORE APPROVED LUBRICANT.
 TECHNICAL REFERENCE: GR-1217-CORE, ISSUE 1, NOVEMBER 1991.
- ⚠ CONNECTOR PRINTED WITH PART NUMBER AND DATE CODE THIS SIDE.
 ADDITIONAL CHARACTERS OR MARKINGS, AS WELL AS THE LOCATION OF THE MARKINGS,
 MAY BE ADDED FOR TRACEABILITY BASED UPON MANUFACTURERS DISCRETION.
- ⚠ OBSOLETE PARTS: OBSOLETE CIS STREAMLINING PER D.RENAUD/D.SINISI
- ⚠ 0.76µm MIN GOLD PLATING AT MATING SURFACES.

| | | | | | | |
|------------|---|---|---|---|---|--------------------|
| ⚠ OBSOLETE | ⚠ | ⚠ | ⚠ | ⚠ | ⚠ | 3-646446-0 |
| ⚠ | ⚠ | ⚠ | ⚠ | ⚠ | ⚠ | 646446-0 |
| ⚠ | ⚠ | ⚠ | ⚠ | ⚠ | ⚠ | 646446-1 |
| | | | | | | FINISH PART NUMBER |

| | | | | | | | | | | |
|--|----------|----------|---------|---------|----------|---------|---------|----------|---------|---------|
| THIS DRAWING IS A CONTROLLED DOCUMENT. | | REV. C | DATE | 08/03 | REV. B | DATE | 07/03 | REV. A | DATE | 06/03 |
| DESIGNED BY | DESIGNED | DESIGNED | DATE | 06/03 | DESIGNED | DATE | 06/03 | DESIGNED | DATE | 06/03 |
| DRIVEN BY | DRIVEN | DRIVEN | DATE | 06/03 | DRIVEN | DATE | 06/03 | DRIVEN | DATE | 06/03 |
| CHECKED BY | CHECKED | CHECKED | DATE | 06/03 | CHECKED | DATE | 06/03 | CHECKED | DATE | 06/03 |
| APPROVED BY | APPROVED | APPROVED | DATE | 06/03 | APPROVED | DATE | 06/03 | APPROVED | DATE | 06/03 |
| REV. C | REV. B | REV. A | REV. 0 | REV. 0 | REV. 0 | REV. 0 | REV. 0 | REV. 0 | REV. 0 | REV. 0 |
| DATE | DATE | DATE | DATE | DATE | DATE | DATE | DATE | DATE | DATE | DATE |
| 06/03 | 06/03 | 06/03 | 06/03 | 06/03 | 06/03 | 06/03 | 06/03 | 06/03 | 06/03 | 06/03 |
| 000779 | 000779 | 000779 | 000779 | 000779 | 000779 | 000779 | 000779 | 000779 | 000779 | 000779 |
| 0646446 | 0646446 | 0646446 | 0646446 | 0646446 | 0646446 | 0646446 | 0646446 | 0646446 | 0646446 | 0646446 |
| SCALE | SCALE | SCALE | SCALE | SCALE | SCALE | SCALE | SCALE | SCALE | SCALE | SCALE |
| S:1 | S:1 | S:1 | S:1 | S:1 | S:1 | S:1 | S:1 | S:1 | S:1 | S:1 |
| SHEET | SHEET | SHEET | SHEET | SHEET | SHEET | SHEET | SHEET | SHEET | SHEET | SHEET |
| 1 | 1 | 1 | 1 | 1 | 1 | 1 | 1 | 1 | 1 | 1 |
| OF | OF | OF | OF | OF | OF | OF | OF | OF | OF | OF |
| 1 | 1 | 1 | 1 | 1 | 1 | 1 | 1 | 1 | 1 | 1 |
| REV | REV | REV | REV | REV | REV | REV | REV | REV | REV | REV |
| G | G | G | G | G | G | G | G | G | G | G |