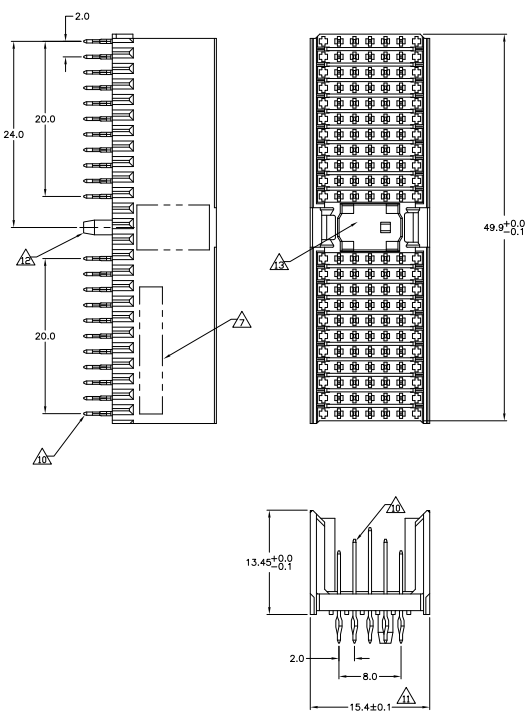


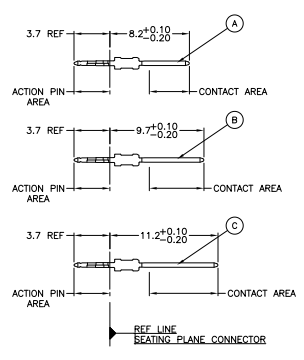
THIS DRAWING IS UNPUBLISHED. REPRODUCTION FOR PUBLICATION. ALL RIGHTS RESERVED.

REV	DATE	DESCRIPTION	BY	CHK
B	23MAY05	REVISED FOR EC 0512-0306-05	BC	GS
B1	04NOV09	REVISED FOR ECO-09-024927	KK	AEG
C	15SEP10	ECR-10-019054	DP	MGW

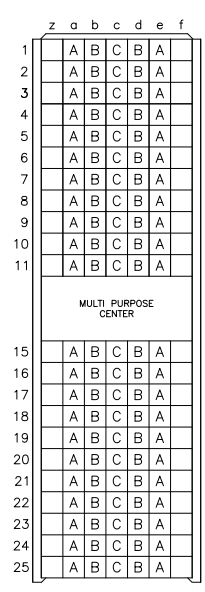
**CONNECTOR ASSEMBLY  
EXAMPLARY LOADED**



**CONTACT DIMENSIONS**  
SCALE 5:1

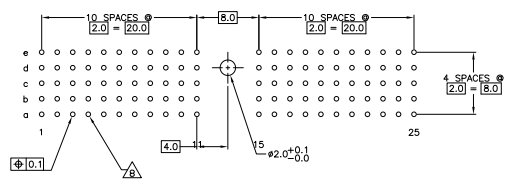


**CONTACT LAYOUT**



**RECOMMENDED PCB-HOLE LAYOUT  
COMPONENT SIDE SHOWN**

**PLATED THRU HOLES PARAMETERS**  
REFERENCE APPLICATION SPECIFICATION



△	OBsolete	1-5106413-9
△	OBsolete	-6106413-9
△	OBsolete	-6106413-4
△	OBsolete	5106413-1
	FINISH	PART NUMBER

THIS DRAWING IS A CONTROLLED DOCUMENT.		DATE	BY	CHK	APP
DESIGNED BY	REVIEWED BY	DATE	BY	CHK	APP
DATE	DATE	DATE	DATE	DATE	DATE
114-19029	108-19082	114-19029	108-19082	114-19029	108-19082
SEE TABLE	SEE TABLE	SEE TABLE	SEE TABLE	SEE TABLE	SEE TABLE
CUSTOMER DRAWING	DATE	BY	CHK	APP	REV
	A1	00779	G	5106413	1 2 C

THIS DRAWING IS UNPUBLISHED. ALL RIGHTS RESERVED.  
 © 2005 TELCORDIA TECHNOLOGIES, INC.

REVISES		DATE	BY	APP'D
AD	00			

- ⚠ MATERIAL:  
CONTACT: PHOSPHOR BRONZE.  
HOUSING: GLASS-FILLED POLYESTER.
- ⚠ GENERAL PLATING SPECIFICATION: UNDERPLATING  
(ENTIRE CONTACT); 1.27µm MIN NICKEL AND ACTION  
PIN: 0.5µm MIN TIN.  
FOR PLATING OF MATING SURFACES SEE APPLICABLE  
SPECIFICATION REFERENCE FOR EACH DASH NUMBER.
- ⚠ CONFORMS TO ALL TESTING ACCORDING TO IEC 61076-4-101  
PERFORMANCE LEVEL 2.
- ⚠ CONFORMS TO ALL TESTING ACCORDING TO IEC 61076-4-101  
PERFORMANCE LEVEL 1.
- ⚠ CONNECTOR TESTED AND QUALIFIED AGAINST TELCORDIA GR-1217-CORE QUALITY LEVEL 3,  
CENTRAL OFFICE APPLICATIONS.
- ⚠ CONNECTOR TESTED AND QUALIFIED AGAINST TELCORDIA GR-1217-CORE QUALITY LEVEL 3,  
UNCONTROLLED ENVIRONMENT APPLICATIONS.
- ⚠ CONNECTOR MARKED WITH PART NUMBER AND DATE CODE.  
ADDITIONAL CHARACTERS OR MARKINGS, AS WELL AS THE LOCATION OF THE MARKINGS,  
MAY BE ADDED FOR TRACEABILITY BASED UPON MANUFACTURERS DISCRETION.
- ⚠ PLATED-THROUGH HOLES AT 2x2mm SQUARE GRID  
PATTERN DEFINED BY CONTACT LAYOUT.
- ⚠ FOR ACTUAL PIN LOADING SEE "CONTACT LAYOUT".
- ⚠ FOR ACTUAL PIN DIMENSIONS SEE "CONTACT DIMENSIONS".
- ⚠ TO BE MEASURED AT BOTTOM OF SHROUD.
- ⚠ POLARIZATION FEATURE.
- ⚠ AREA RESERVED FOR KEYING PART (BASIC P/N 100525)
- ⚠ CONNECTOR LUBRICATED WITH BELCORE APPROVED LUBRICANT,  
TECHNICAL REFERENCE: TR-NWT-001217 ISSUE 1, SEP 1992.
- ⚠ OBSOLETE PARTS: OBSOLETE CIS STREAMLINING PER D.RENAUD/D.SINISI

THIS DRAWING IS A CONTROLLED DOCUMENT.		DESIGNED BY	DATE	REVISED BY	DATE	Telcordia Corporation Harrisburg, PA 17105-3608	
DIMENSIONS mm	DIMENSIONAL TOLERANCES mm	DESIGNED BY J.G.	DATE 10B-19082	REVISED BY J.G.	DATE 114-19029	SIZE A1	DRAWING NO. 00779
SEE SHEET 1	SEE SHEET 1	CUSTOMER DRAWING		TITLE MALE ASSEMBLY, 2-PACK 2mm HM, TYPE A	DRAWING NO. 00779	SHEET 4.1	OF 2