

4

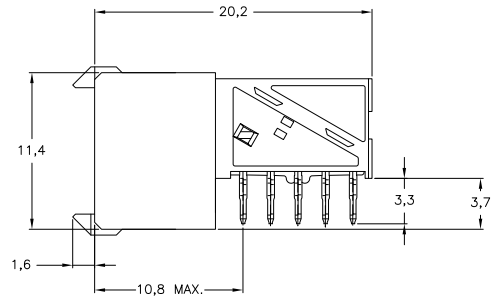
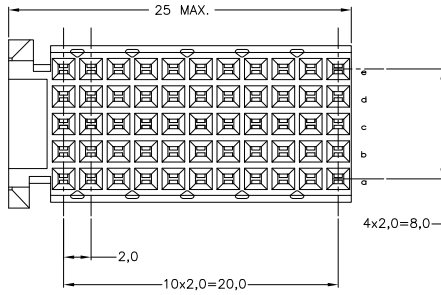
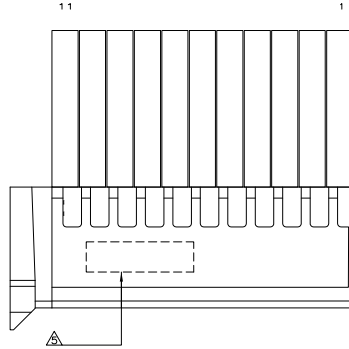
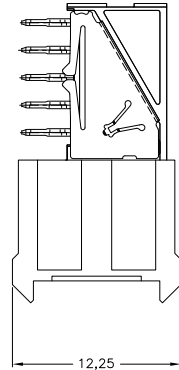
3

2

1

THIS DRAWING IS UNPUBLISHED. RELEASED FOR PUBLICATION  
 © COPYRIGHT BY TYCO ELECTRONICS CORPORATION. ALL RIGHTS RESERVED.

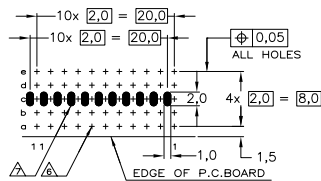
LOC	DIST	REVISIONS		
P	LTR	DESCRIPTION	DATE	BY
C		ECR-06-026577	14-11-06	BSV/BM
C1		REVISED PER ECO-09-024927	10NOV09	KK/AEG
D		ECR-10-018652	10SEP10	SW/MGW



NOTES:

- △ CONTACT: PHOSPHORBRONZE  
REDUCED CROSS-TALK SHIELD: PHOSPHORBRONZE HOUSING; GLASSFILLED POLYESTER (GRAY)
- △ GENERAL CONTACT PLATING SPECIFICATION: UNDERPLATING (ENTIRE CONTACT): 1,27µm NICKEL MIN. AND ACTION PIN: 0,5µm TIN MIN.  
FOR PLATING OF MATING SURFACES SEE APPLICABLE SPECIFICATION REFERENCE FOR EACH DASH NUMBER.  
REDUCED CROSS-TALK SHIELD PLATING: GOLD FLASH OVER 1,27 µm NICKEL MIN.
- △ CONFORMS TO ALL TESTING ACCORDING IEC 61076-4-101 PERFORMANCE LEVEL 2.
- △ CONFORMS TO ALL TESTING ACCORDING IEC 61076-4-101 PERFORMANCE LEVEL 1.
- △ CONNECTOR PRINTED WITH PARTNUMBER AND DATECODE (OTHER MARKING OPTIONAL)
- △ PLATED-THROUGH HOLES AT 2x2mm SQUARE GRID TOTAL 55 HOLES.
- △ PLATED SPOT ONLY ON COMPONENT SIDE, FORMING ONE CONTACT WITH PLATED THROUGH HOLES OF ROW C.
- △ OBSOLETE PARTS: OBSOLETE CIS STREAMLINING PER D.RENAUD/D.SINISI

RECOMMENDED P.C.B. HOLE LAY-OUT  
 COMPONENT SIDE AS SHOWN



P.C.B. HOLE DIM. ACTION PIN  
 FOR DETAILS SEE APPLICATION SPECIFICATION

SCALE 2,5:1

△△	△	△	△	5188224-4
△△	△	△	△	5188224-1
FINISH		MATERIAL		PARTNUMBER
THIS DRAWING IS A CONTROLLED DOCUMENT.				DIM: 13AUG2004 CHK: K.N.KIRAN 22MAR2005 S.MOJIB 22MAR2005 NAME: Tyco Electronics Corporation Tyco Electronics Corporation 's-Hertogenbosch,5222AR-32
DIMENSIONS: mm		PRODUCT SPEC: 108-19082		Z-PACK 2mm HM TYPE C 55 POS. FEMALE DAUGHTER CARD CONN. WITH REDUCED CROSS-TALK SHIELD
MATERIAL: FINISH		APPLICATION SPEC: 114-19029		SIZE: A2 CAGE CODE: 00779 ©=5188224
CUSTOMER DRAWING				RESTRICTED TO: - SCALE: 5:1 SHEET: 1 OF 1 REV: D