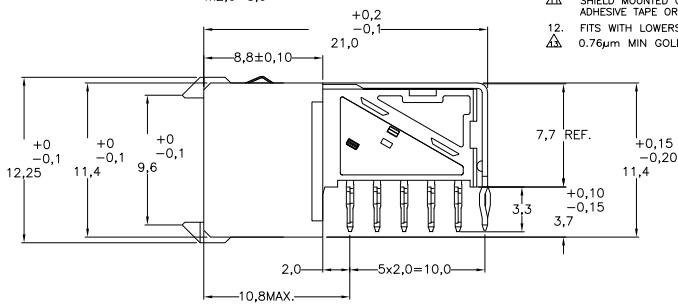
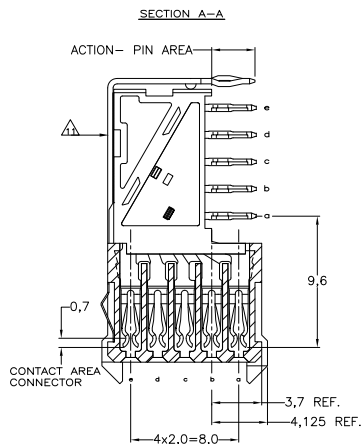
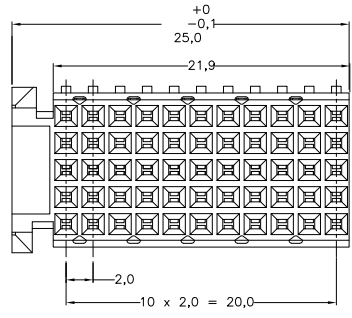
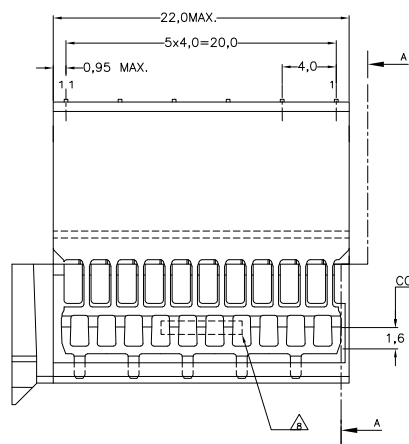
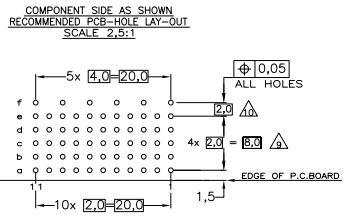


THIS DRAWING IS UNPUBLISHED. RELEASED FOR PUBLICATION BY TYCO ELECTRONICS CORPORATION. ALL RIGHTS RESERVED.

LOC		DIST		REVISIONS			
F	LTR	DESCRIPTION	DATE	BY	APPD		
G4		REV PER ECR-10-000662	18JAN2010	JY	SY		
H		ECR-10-018652	10SEP10	SW	MQW		



- NOTES:
- △ MATERIAL CONTACTS; PHOSPHORBRONZE
MATERIAL SHIELD ; PHOSPHORBRONZE
MATERIAL HOUSING; GLASSFILLED POLYESTER (GRAY)
 - △ GENERAL PLATING SPECIFICATION: UNDERPLATING
(ENTIRE CONTACT): 1,27µm NICKEL MIN. AND ACTION
PIN: 0,5µm TIN-LEAD MIN.
FOR PLATING OF MATING SURFACES SEE APPLICABLE
SPECIFICATION REFERENCE FOR EACH DASH NUMBER.
 - △ CONFORMS TO ALL TESTING ACCORDING IEC 61076-4-101
PERFORMANCE LEVEL 2.
 - △ CONFORMS TO ALL TESTING ACCORDING IEC 61076-4-101
PERFORMANCE LEVEL 1.
 - △ CONNECTOR TESTED AND QUALIFIED AGAINST TELCORDIA GR-1217-CORE
QUALITY LEVEL III, CENTRAL OFFICE APPLICATIONS.
 - △ CONNECTOR LUBRICATED WITH TELCORDIA GR-1217-CORE
APPROVED LUBRICANT.
 - △ PLATING SHIELD
CONTACT AREA : 0,76µm Au MIN.
ACTION PIN : 0,5µm SnPb MIN.
REMAINDER : Ni
 - △ ASSEMBLY PRINTED WITH P/N AND DATE CODE
THE MARKING CAN APPEAR ON THE FRONT SIDE
OR BACK SIDE.
 - △ HOLE PATTERN FOR FEMALE CONNECTOR TYPE C
55 PLATED-THROUGH HOLES AT 2x2mm SQUARE GRID
ROW "1" 6 PLATED THROUGH HOLES FOR UPERSHIELD
 - △ SHIELD MOUNTED ON CONNECTOR WITH DOUBLE SIDED
ADHESIVE TAPE OR ADHESIVE
 - 12. FITS WITH LOWERSHIELD, BASIC PARTNUMBER : 352112.
 - △ 0,76µm MIN GOLD PLATING AT MATING SURFACES.



FINISH	MATERIAL	PARTNUMBER
△△△△△	△	3-352115-0
△△△△△	△	352115-9
△△△△△	△	352115-4
△△△△△	△	352115-1

P.C.B. HOLE DIM. ACTION PIN
FOR DETAILS SEE
APPLICATION SPECIFICATION

THIS DRAWING IS A CONTROLLED DOCUMENT. DW: D. TRUBEN, ZSW/WT, CHK: -

DIMENSIONS: MM	TOLERANCES UNLESS OTHERWISE SPECIFIED:	PRODUCT SPEC: 108-19082	NAME: Z-PACK 2mm HM
		APPLICATION SPEC: 114-19029	TYPE C - 11 COLUMNS
		WEIGHT: -	PRE-SHIELDED RECEPTACLE
MATERIAL: -	FINISH: -	SIZE: A2	CAGE CODE: 00779
		CUSTOMER DRAWING	DRAWING NO: 352115

TYCO ELECTRONICS Tyco Electronics Corporation s-Hertogenbosch, Netherlands.

RESTRICTED TO: -

SCALE: NTS SHEET 1 of 1 REV: H

AMP 1471-9 REV 31MAR2000