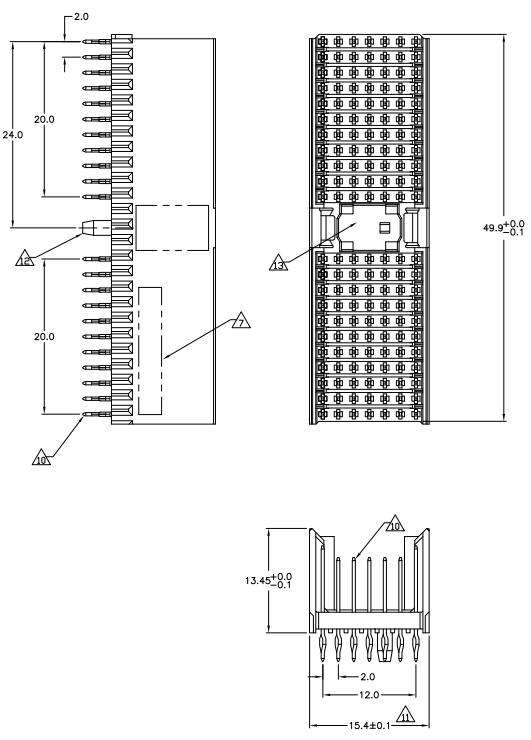


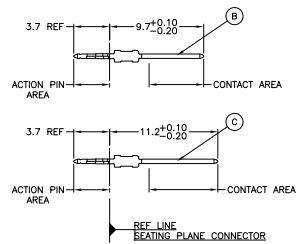
THIS DRAWING IS UNPUBLISHED. ALL RIGHTS RESERVED.  
 © 2005 BY TYS ELECTRONICS CORPORATION. ALL RIGHTS RESERVED.

REV	DATE	DESCRIPTION	BY	CHKD
D	06/20/06	REVISED PER ECR 0212-0304-05	JDP	GES
D1	04/28/09	REVISED PER ECR-09-021826	KK	AEC
E	11/05/10	ECR-10-019054	DP	MQW

**CONNECTOR ASSEMBLY  
 EXAMPLARY LOADED**



**CONTACT DIMENSIONS**  
 SCALE 5:1

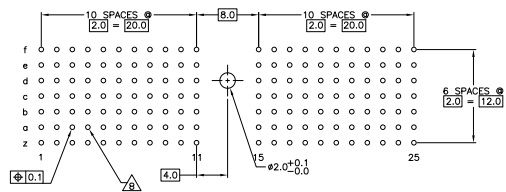


**CONTACT LAYOUT**

	z	a	b	c	d	e	f
1	C	B	B	B	B	B	C
2	C	B	B	B	B	B	C
3	C	B	B	B	B	B	C
4	C	B	B	B	B	B	C
5	C	B	B	B	B	B	C
6	C	B	B	B	B	B	C
7	C	B	B	B	B	B	C
8	C	B	B	B	B	B	C
9	C	B	B	B	B	B	C
10	C	B	B	B	B	B	C
MULTI PURPOSE CENTER							
15	C	B	B	B	B	B	C
16	C	B	B	B	B	B	C
17	C	B	B	B	B	B	C
18	C	B	B	B	B	B	C
19	C	B	B	B	B	B	C
20	C	B	B	B	B	B	C
21	C	B	B	B	B	B	C
22	C	B	B	B	B	B	C
23	C	B	B	B	B	B	C
24	C	B	B	B	B	B	C
25	C	B	B	B	B	B	C

**RECOMMENDED PCB-HOLE LAYOUT  
 COMPONENT SIDE SHOWN**

**PLATED THRU HOLES PARAMETERS**  
 REFERENCE APPLICATION SPECIFICATION



OBsolete	1-188399-0
	188399-9
	188399-4
	188399-1
FINISH	PART NUMBER

THIS DRAWING IS A CONTROLLED DOCUMENT.		DESIGNED BY	SKIPPY	DATE	10/8/02	REVISED BY	SKIPPY	DATE	11/4/02	ISSUED BY	SKIPPY	DATE	11/4/02	REVISED BY	SKIPPY	DATE	11/4/02
DRAWING NO.		108-19082		PROJECT NO.		114-19029		REVISED BY		SKIPPY		DATE		11/4/02		REVISED BY	
DRAWING TITLE		MALE ASSEMBLY, 2-PACK 2mm HM, TYPE A		CUSTOMER DRAWING		A100779		REVISED BY		SKIPPY		DATE		11/4/02		REVISED BY	

THIS DRAWING IS UNPUBLISHED. REVISIONS FOR INFORMATION. ALL RIGHTS RESERVED.

REV	DATE	DESCRIPTION	BY	APP
00				
1		SEE SHEET 1		

- ⚠ MATERIAL:  
CONTACT: PHOSPHOR BRONZE.  
HOUSING: GLASS-FILLED POLYESTER.
- ⚠ GENERAL PLATING SPECIFICATION: UNDERPLATING  
(ENTIRE CONTACT): 1.27µm MIN NICKEL AND ACTION  
PIN: 0.5µm MIN TIN/LEAD.  
FOR PLATING OF MATING SURFACES SEE APPLICABLE  
SPECIFICATION REFERENCE FOR EACH DASH NUMBER.
- ⚠ CONFORMS TO ALL TESTING ACCORDING TO IEC 61076-4-101  
PERFORMANCE LEVEL 2.
- ⚠ CONFORMS TO ALL TESTING ACCORDING TO IEC 61076-4-101  
PERFORMANCE LEVEL 1.
- ⚠ CONNECTOR TESTED AND QUALIFIED AGAINST TELCORDIA GR-1217-CORE QUALITY LEVEL 3,  
CENTRAL OFFICE APPLICATIONS.
- ⚠ CONNECTOR TESTED AND QUALIFIED AGAINST TELCORDIA GR-1217-CORE QUALITY LEVEL 3,  
UNCONTROLLED ENVIRONMENT APPLICATIONS.
- ⚠ CONNECTOR MARKED WITH PART NUMBER AND DATE CODE.  
ADDITIONAL CHARACTERS OR MARKINGS, AS WELL AS THE LOCATION OF THE MARKINGS,  
MAY BE ADDED FOR TRACEABILITY BASED UPON MANUFACTURERS DISCRETION.
- ⚠ PLATED-THROUGH HOLES AT 2x2mm SQUARE GRID  
PATTERN DEFINED BY CONTACT LAYOUT.
- ⚠ FOR ACTUAL PIN LOADING SEE "CONTACT LAYOUT".
- ⚠ FOR ACTUAL PIN DIMENSIONS SEE "CONTACT DIMENSIONS".
- ⚠ TO BE MEASURED AT BOTTOM OF SHROUD.
- ⚠ POLARIZATION FEATURE.
- ⚠ AREA RESERVED FOR KEYING PART (BASIC P/N 100525)
- ⚠ CONNECTOR LUBRICATED WITH BELCORE APPROVED LUBRICANT,  
TECHNICAL REFERENCE: TR-NWT-001217 ISSUE 1, SEP 1992.
- ⚠ OBSOLETE PARTS: OBSOLETE CIS STREAMLINING PER D.RENAUD/D.SINISI

THIS DRAWING IS A CONTROLLED DOCUMENT.		DESIGNED BY	DESIGNED	Ytes Electronics Corporation Harrisburg, PA 17105-3608	
UNLESS OTHERWISE SPECIFIED	UNLESS OTHERWISE SPECIFIED	BY	DATE	BY	DATE
MM	MM	SKIFFER	10B-19082	SKIFFER	10B-19082
		114-19029			
SEE SHEET 1	SEE SHEET 1				
		CUSTOMER DRAWING	DATE	ISSUE	REV
			00779	4.1	2 F