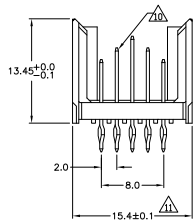
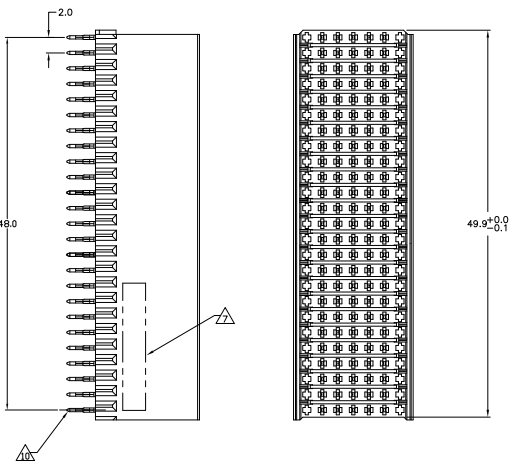


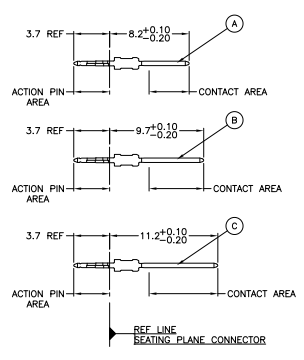
THIS DRAWING IS UNPUBLISHED. ALL RIGHTS RESERVED.
 © 2008 BY TTI ELECTRONICS CORPORATION. ALL RIGHTS RESERVED.

REV	DATE	DESCRIPTION	BY	CHK	APP
F	REV PER EC 0512-0304-05		23M/106	BC	GS
G	ECR-10-018652		10SEP10	SW	MOW

**CONNECTOR ASSEMBLY
EXAMPLARY LOADED**



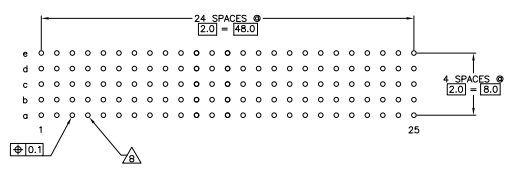
CONTACT DIMENSIONS
SCALE 5:1



CONTACT LAYOUT

	z	a	b	c	d	e	f
1	A	B	C	B	A		
2	A	B	C	B	A		
3	A	B	C	B	A		
4	A	B	C	B	A		
5	A	B	C	B	A		
6	A	B	C	B	A		
7	A	B	C	B	A		
8	A	B	C	B	A		
9	A	B	C	B	A		
10	A	B	C	B	A		
11	A	B	C	B	A		
12	A	B	C	B	A		
13	A	B	C	B	A		
14	A	B	C	B	A		
15	A	B	C	B	A		
16	A	B	C	B	A		
17	A	B	C	B	A		
18	A	B	C	B	A		
19	A	B	C	B	A		
20	A	B	C	B	A		
21	A	B	C	B	A		
22	A	B	C	B	A		
23	A	B	C	B	A		
24	A	B	C	B	A		
25	A	B	C	B	A		

**RECOMMENDED PCB-HOLE LAYOUT
COMPONENT SIDE SHOWN**



PLATED THRU HOLES PARAMETERS
REFERENCE APPLICATION SPECIFICATION

△	1-106414-9
△	106414-9
△	106414-4
△	106414-1

THIS DRAWING IS A CONTROLLED DOCUMENT.		DATE	ISSUED	BY	CHK	APP
DATE	ISSUED	BY	CHK	APP	TTE Electronics Corporation Harrisburg, Pa 17105-3608	
DATE	ISSUED	BY	CHK	APP	MALE ASSEMBLY, 2-PACK 2mm HM, TYPE B	
DATE	ISSUED	BY	CHK	APP	114-19029	106-19082
DATE	ISSUED	BY	CHK	APP	100779	106414
DATE	ISSUED	BY	CHK	APP	4.1	1 2 G

THIS DRAWING IS UNPUBLISHED. ALL RIGHTS RESERVED.
 © 2005 TELCORDIA CORPORATION

REV	DATE	DESCRIPTION	BY	APP
00		SEE SHEET 1		

- ⚠ MATERIAL:
CONTACT: PHOSPHOR BRONZE.
HOUSING: GLASS-FILLED POLYESTER.
- ⚠ GENERAL PLATING SPECIFICATION: UNDERPLATING
(ENTIRE CONTACT): 1.27μm MIN NICKEL AND ACTION
PIN: 0.5μm MIN TIN/LEAD.
FOR PLATING OF MATING SURFACES SEE APPLICABLE
SPECIFICATION REFERENCE FOR EACH DASH NUMBER.
- ⚠ CONFORMS TO ALL TESTING ACCORDING TO IEC 61076-4-101
PERFORMANCE LEVEL 2.
- ⚠ CONFORMS TO ALL TESTING ACCORDING TO IEC 61076-4-101
PERFORMANCE LEVEL 1.
- ⚠ CONNECTOR TESTED AND QUALIFIED AGAINST TELCORDIA GR-1217-CORE QUALITY LEVEL 3,
CENTRAL OFFICE APPLICATIONS.
- ⚠ CONNECTOR TESTED AND QUALIFIED AGAINST TELCORDIA GR-1217-CORE QUALITY LEVEL 3,
UNCONTROLLED ENVIRONMENT APPLICATIONS.
- ⚠ CONNECTOR MARKED WITH PART NUMBER AND DATE CODE.
ADDITIONAL CHARACTERS OR MARKINGS, AS WELL AS THE LOCATION OF THE MARKINGS,
MAY BE ADDED FOR TRACEABILITY BASED UPON MANUFACTURERS DISCRETION.
- ⚠ PLATED-THROUGH HOLES AT 2x2mm SQUARE GRID
PATTERN DEFINED BY CONTACT LAYOUT.
- ⚠ FOR ACTUAL PIN LOADING SEE "CONTACT LAYOUT".
- ⚠ FOR ACTUAL PIN DIMENSIONS SEE "CONTACT DIMENSIONS".
- ⚠ TO BE MEASURED AT BOTTOM OF SHROUD.
- ⚠ CONNECTOR LUBRICATED WITH BELCORE APPROVED LUBRICANT,
TECHNICAL REFERENCE: TR-NWT-001217 ISSUE 1, SEP 1992.

THIS DRAWING IS A CONTROLLED DOCUMENT.		DESIGNED BY	DATE	Yates Electronics Corporation Harrisburg, Pa 17105-3608	
INCHES	UNLESS NOTED OTHERWISE	BY SKIFFER	DATE	Yates Electronics	
mm		BY SKIFFER	DATE	MALE ASSEMBLY, 2-PACK 2mm HM, TYPE B	
		108-19082			
		114-19029		SIZE	DATE REE
SEE SHEET 1	SEE SHEET 1			A1	00779
				DRWG NO	106414
				CUSTOMER DRAWING	REV 2
				SIZE	4.1
				REV	2
				REV	G