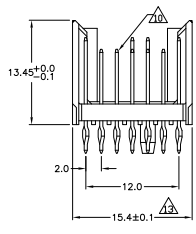
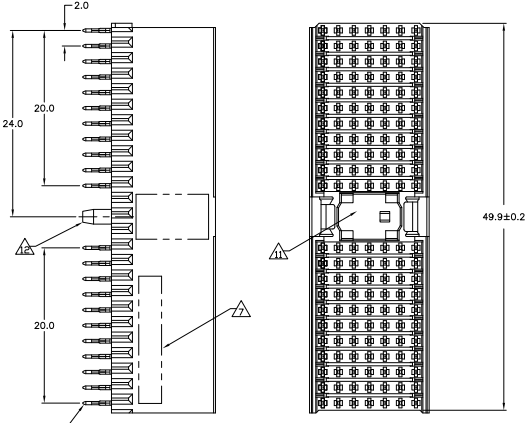


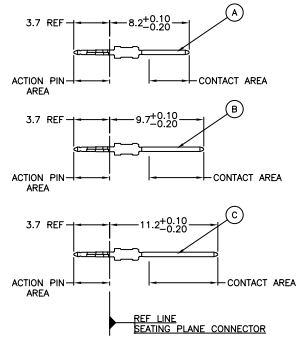
THIS DRAWING IS UNPUBLISHED. REVISIONS FOR INFORMATION. ALL RIGHTS RESERVED.

REV	DATE	DESCRIPTION	BY	CHK	APP
H1		REVISED PER ECO-10-025129	EC	CW	

**CONNECTOR ASSEMBLY
EXEMPLARY LOADED**



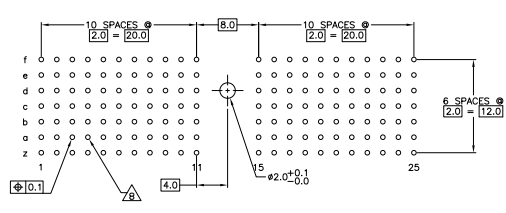
CONTACT DIMENSIONS
SCALE 5:1



CONTACT LAYOUT

	z	a	b	c	d	e	f
1	C	B	B	B	B	C	
2	C	B	B	B	B	C	
3	C	B	B	B	B	C	
4	C	B	B	B	B	C	
5	C	B	B	B	B	C	
6	C	B	B	B	B	C	
7	C	B	B	B	B	C	
8	C	B	B	B	B	C	
9	C	B	B	B	B	C	
10	C	B	B	B	B	C	
MULTI PURPOSE CENTER							
15	C	B	B	B	B	C	
16	C	B	B	B	B	C	
17	C	B	A	B	C	B	C
18	C	B	B	B	B	C	
19	C	B	B	B	B	C	
20	C	B	B	B	B	C	
21	C	B	B	B	B	C	
22	C	B	B	B	B	C	
23	C	B	B	B	B	C	
24	C	B	B	B	B	C	
25	C	B	B	B	B	C	

**RECOMMENDED PCB-HOLE LAYOUT
COMPONENT SIDE SHOWN**



PLATED THRU HOLES PARAMETERS
REFERENCE APPLICATION SPECIFICATION

	3-352332-0
	1-352332-9
	352332-9
	352332-4
	352332-1
FINISH	PART NUMBER

THIS DRAWING IS A CONTROLLED DOCUMENT. SEE TABLE

DESIGNED BY	SKIPP	DATE	108-19082
ENGINEER	SKIPP	DATE	114-19029
DATE	114-19029	REVISED BY	100779
DATE	114-19029	REVISED BY	100779

Yesu Electronics Corporation
Harrisburg, Pa 17105-3608

MALE ASSEMBLY, 2-PACK 2mm HM, TYPE A

SIZE: 4.1 SHEET: 1 OF 2

THIS DRAWING IS UNPUBLISHED. ALL RIGHTS RESERVED.
 © 2005 TELCORDIA CORPORATION

REVISE		REVISIONS			
NO.	DATE	BY	DESCRIPTION	DATE	BY
AD	00		SEE SHEET 1	-	-

- △ MATERIAL:
CONTACT: PHOSPHOR BRONZE.
HOUSING: GLASS-FILLED POLYESTER.
- △ GENERAL PLATING SPECIFICATION: UNDERPLATING
(ENTIRE CONTACT): 1.27µm MIN NICKEL AND ACTION
PIN: 0.5µm MIN TIN LEAD.
FOR PLATING OF MATING SURFACES SEE APPLICABLE
SPECIFICATION REFERENCE FOR EACH DASH NUMBER.
- △ CONFORMS TO ALL TESTING ACCORDING TO IEC 61076-4-101
PERFORMANCE LEVEL 2.
- △ CONFORMS TO ALL TESTING ACCORDING TO IEC 61076-4-101
PERFORMANCE LEVEL 1.
- △ CONNECTOR TESTED AND QUALIFIED AGAINST TELCORDIA GR-1217-CORE QUALITY LEVEL 3,
CENTRAL OFFICE APPLICATIONS.
- △ CONNECTOR TESTED AND QUALIFIED AGAINST TELCORDIA GR-1217-CORE QUALITY LEVEL 3,
UNCONTROLLED ENVIRONMENT APPLICATIONS.
- △ CONNECTOR MARKED WITH PART NUMBER AND DATE CODE.
ADDITIONAL CHARACTERS OR MARKINGS, AS WELL AS THE LOCATION OF THE MARKINGS,
MAY BE ADDED FOR TRACEABILITY BASED UPON MANUFACTURERS DISCRETION.
- △ PLATED-THROUGH HOLES AT 2x2mm SQUARE GRID
PATTERN DEFINED BY CONTACT LAYOUT.
- △ FOR ACTUAL PIN LOADING SEE "CONTACT LAYOUT".
- △ FOR ACTUAL PIN DIMENSIONS SEE "CONTACT DIMENSIONS".
- △ AREA RESERVED FOR KEYING PART (BASIC P/N 100525)
- △ POLARIZATION FEATURE.
- △ TO BE MEASURED AT BOTTOM OF SHROUD.
- △ CONNECTOR LUBRICATED WITH BELCORE APPROVED LUBRICANT,
TECHNICAL REFERENCE: TR-NWT-001217 ISSUE 1, SEP 1992.
- △ 0.76µm MIN GOLD PLATING ON MATING SURFACES

THIS DRAWING IS A CONTROLLED DOCUMENT.		DESIGNED BY	SKETCHED BY	Telcordia York Electronics Corporation Harrisburg, Pa 17105-3608	
DRAWN BY	ENGINEER CHECKED BY	DESIGNED BY	SKETCHED BY	MALE ASSEMBLY, 2-PACK 2mm HM, TYPE A	
DATE	DATE	DATE	DATE	SIZE	DATE
SEE SHEET 1	SEE SHEET 1	114-19029	108-19082	A1	00779
		REVISED BY	DATE	DESCRIPTION	REWORKED TO
				352332	
		CUSTOMER DRAWING		SCALE	UNIT
				4:1	MM

AMP 440 REV 2/2002