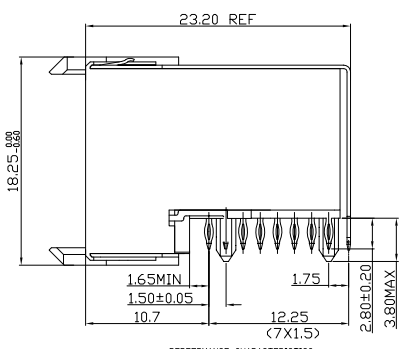
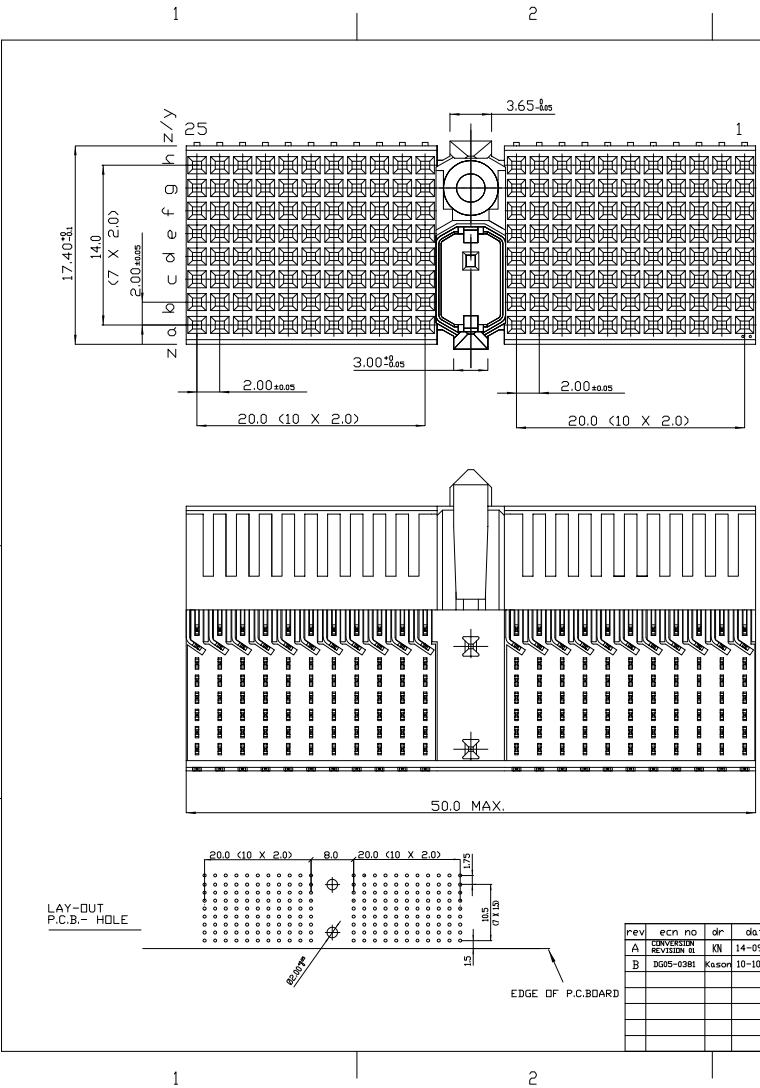


Tous droits strictement réservés. Reproduction ou réimpression sans autorisation écrite du propriétaire. Propriété de c FCI. Droits de reproduction FCI.

All rights strictly reserved. Reproduction or issue to third parties in any form whatever is not permitted without authority from the proprietor. Property of FCI. Copyright FCI.



**PERFORMANCE CHARACTERISTICS**  
 CURRENT RATING : 1.5A AT 20°C (FULLY LOADED)  
 1 A AT 70°C (FULLY LOADED)  
 RATED VOLTAGE : 500 V AC (CONT /CONT)  
 OPERATING TEMPERATURE : -55°C TO 125°C  
 CONTACT RESISTANCE 20 MΩ MAX  
 INSERTION FORCE : 0.75N MAX/CONT  
 EXTRACTION FORCE : 0.15N MIN/CONT  
 INSULATION RESISTANCE : 10<sup>11</sup> MΩ MIN

- NOTES 1. LEAD FREE INDICATOR 4F=LEAD FREE  
 PERFORMANCE LEVEL INDICATOR (REF Dwg NDBSC 20844003)  
 2. THIS PRODUCT IS CSA APPROVED. THIS PRODUCT IS UL RECOGNIZED.  
 3. FOR RECOMMENDED PTH DIMENSIONS REFER DRAWING : JS-A-201572-01  
 4. THIS PRODUCT (4F) MEETS EUROPEAN UNION DIRECTIVES AND OTHER COUNTRY REGULATIONS AS DESCRIBED IN GS-22-008

rev	ecn no	dr	date
A	000000	KN	14-09-01
B	D005-0381	Kason	10-10-05

<b>FCI</b>		www.fciconnect.com		tolerance 1DEC +0.2 1DEC 2DEC +0.1 2DEC ANGLES ±1° HDEKEN	projection MM
Dr	M.Fret	04-01-00	Product family	MILLIPICS	size
Eng			Spec ref		A4
Chr			Material		Scale
Appr					3/1
title				MPACS 8+2R RA RCP CONN TYPE D/UPPER SHIELDED	Rev.
catalog no				HM2R87PA810F----	B
				CUSTOMER	sheet 1 of 1

PDM: Rev:B STATUS Released Printed: Apr 12, 2006