

4

3

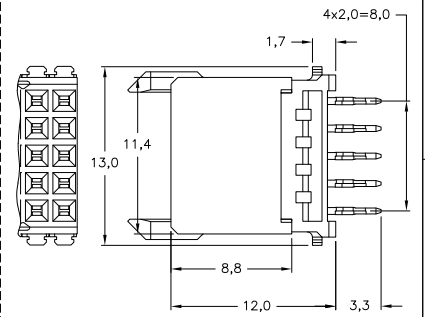
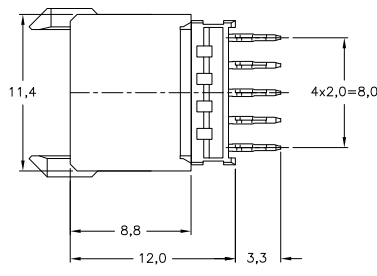
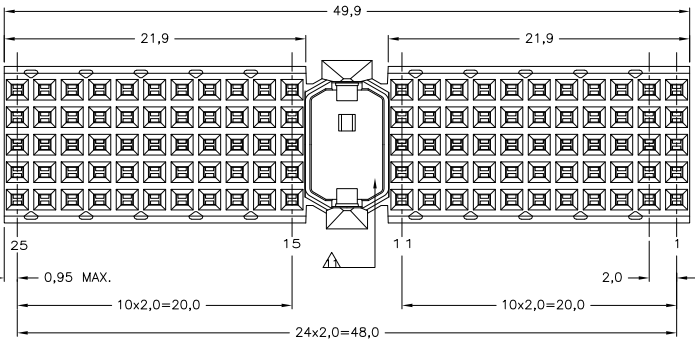
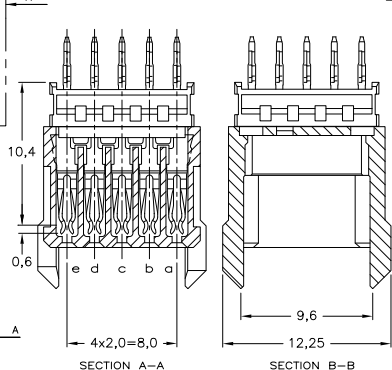
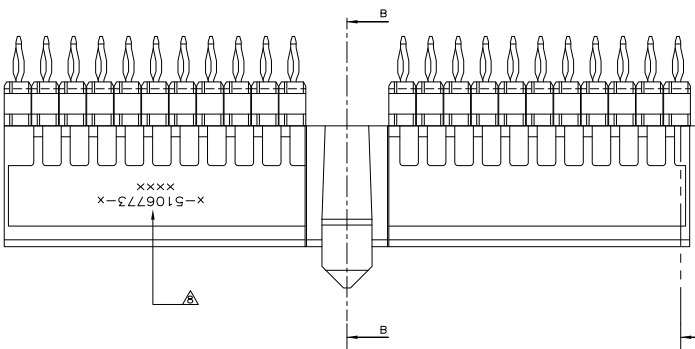
2

1

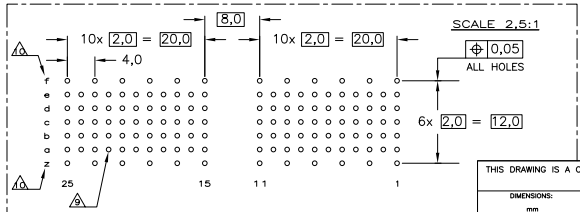
THIS DRAWING IS UNPUBLISHED. RELEASED FOR PUBLICATION.
 © COPYRIGHT BY TYCO ELECTRONICS CORPORATION. ALL RIGHTS RESERVED.

| REVISONS | | DATE | BY | APP'D |
|----------|-----|---------|-----|-------|
| F | LNK | | | |
| B | | 30MAY05 | BSV | BM |
| C | | 15SEP10 | DP | MQW |

ALTERNATE FORM



- NOTES:
- ▲ MATERIAL CONTACT: PHOSPHORBRONZE
MATERIAL HOUSING: GLASSFILLED POLYESTER UL-RATING 94V0 (GRAY).
 - ▲ GENERAL PLATING SPECIFICATION: UNDERPLATING (ENTIRE CONTACT): 1.27µm NICKEL MIN. AND ACTION PIN: 0.5µm TIN MIN. FOR PLATING OF MATING SURFACES SEE APPLICABLE SPECIFICATION REFERENCE FOR EACH DASH NUMBER.
 - ▲ CONFORMS TO ALL TESTING ACCORDING IEC 61076-4-101 PERFORMANCE LEVEL 2.
 - ▲ CONFORMS TO ALL TESTING ACCORDING IEC 61076-4-101 PERFORMANCE LEVEL 1.
 - ▲ CONNECTOR TESTED AND QUALIFIED AGAINST TELCORDIA GR-1217-CORE QUALITY LEVEL III, CENTRAL OFFICE APPLICATIONS.
 - ▲ CONNECTOR TESTED AND QUALIFIED AGAINST TELCORDIA GR-1217-CORE QUALITY LEVEL III, UNCONTROLLED ENVIRONMENT APPLICATIONS.
 - ▲ CONNECTOR LUBRICATED WITH TELCORDIA GR-1217-CORE APPROVED LUBRICANT.
 - ▲ CONNECTOR PRINTED WITH PARTNUMBER AND DATECODE.
 - ▲ PLATED THROUGH HOLES AT 2x2mm SQUARE GRID (110 HOLES).
 - ▲ HOLES IN ROW f AND z FOR POSSIBLE FUTURE USE OF GROUND RETURN SHIELD. (SHIELDS NOT YET TOOLED)
 - ▲ AREA RESERVED FOR KEYING PART (BASIC P.N.:100526).



COMPONENT SIDE AS SHOWN
 RECOMMENDED PCB-HOLE LAY-OUT

P.C.B. HOLE DIM. ACTION PIN
 FOR DETAILS SEE
 APPLICATION SPECIFICATION

THIS DRAWING IS A CONTROLLED DOCUMENT.

| | |
|--|--------|
| DIMENSIONS: | mm |
| TOLERANCES UNLESS OTHERWISE SPECIFIED: | |
| 1-PLD | ±0.2 |
| 2-PLD | ±0.2 |
| 3-PLD | ±0.2 |
| 4-PLD | ±0.2 |
| ANGLES: | |
| MATERIAL: | FINISH |

| FINISH | MATERIAL | PARTNUMBER |
|--------|----------|-------------|
| ▲▲▲ | | 1-5106773-9 |
| ▲▲▲ | | 5106773-9 |
| ▲▲▲ | | 5106773-4 |
| ▲▲▲ | | 5106773-1 |

THIS DRAWING IS A CONTROLLED DOCUMENT.

| | | | |
|------------------|-----------|-----------|------------------------------|
| DRW | K.H.KIBAN | 12AUG2004 | Tyco Electronics Corporation |
| CHK | S.MOOU | 27OCT2004 | 's-Hertogenbosch, 5222AR-32 |
| APP'D | S.MOOU | 27OCT2004 | NAME |
| PRODUCT SPEC | 108-19082 | | Z-PACK 2mm HM TYPE A |
| APPLICATION SPEC | 114-19029 | | 110 POS. VERTICAL FEMALE |
| HEIGHT | | | CONNECTOR ASSEMBLY |
| SIZE | A2 | 00779 | DRAWING NO. ©=5106773 |
| CUSTOMER DRAWING | | | RESTRICTED TO |
| | | | SCALE 5:1 SHEET 1 OF 1 REV C |