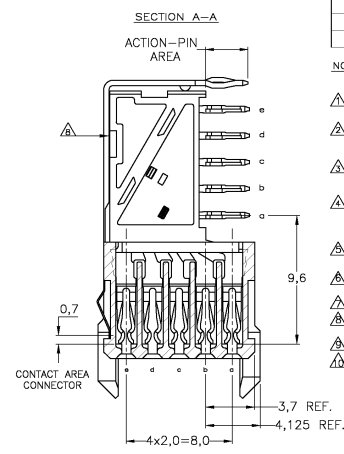
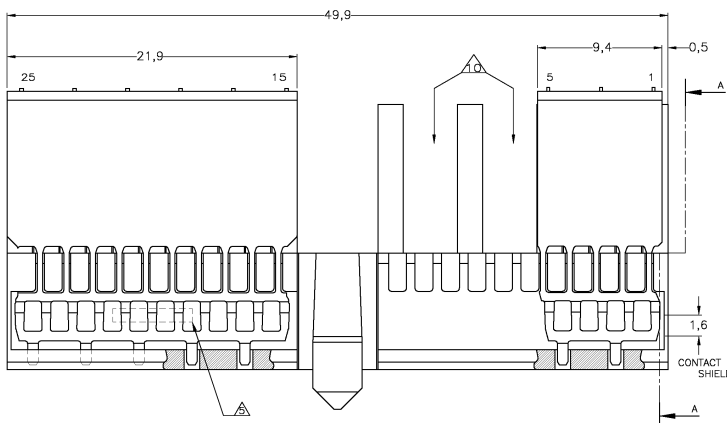
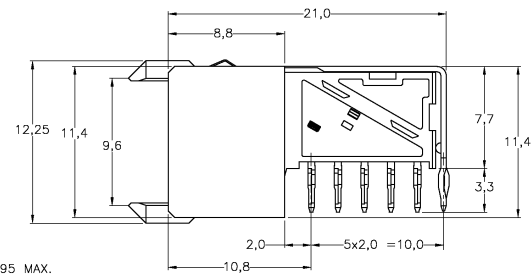
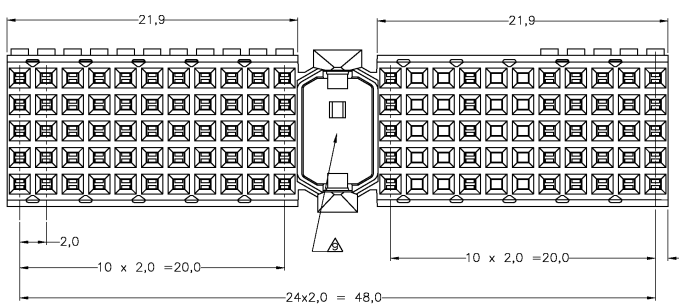


THIS DRAWING IS UNPUBLISHED. RELEASED FOR PUBLICATION
 (C) copyright by tyco electronics corporation. ALL RIGHTS RESERVED.

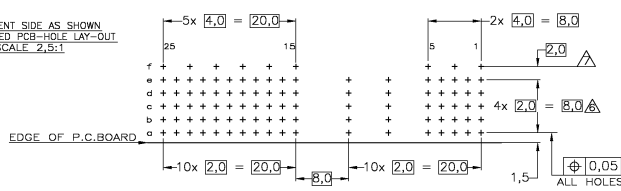
LOC	DATE	REV	DESCRIPTION	DATE	BY	APP
H	-	1	ECR-07-008404	17APR2007	JyH	BM



- NOTES:**
- △ MATERIAL CONTACTS AND SHIELDS; PHOSPHORBRONZE
 - △ MATERIAL HOUSING; GLASSFILLED POLYESTER (GRAY)
 - △ GENERAL PLATING SPECIFICATION: UNDERPLATING(ENTIRE CONTACT): 1,27µm NICKEL MIN. AND ACTION PIN: 0,5µm TIN-LEAD MIN. FOR PLATING OF MATING SURFACES SEE APPLICABLE SPECIFICATION REFERENCE FOR EACH DASH NUMBER.
 - △ CONFORMS TO ALL TESTING ACCORDING IEC 61076-4-101 PERFORMANCE LEVEL 2.
 - △ PLATING SHIELD : CONTACT AREA : 0,76µm Au Min. ACTION PIN : 0,5µm SnPb Min. REMAINDER : Ni
 - △ ASSEMBLY PRINTED WITH P/N AND DATECODE. THE MARKING CAN APPEAR ON THE FRONT SIDE OR THE BACK SIDE
 - △ HOLE PATTERN FOR FEMALE CONNECTOR 90 PLATED-THROUGH HOLES AT 2x2mm SQUARE GRID
 - △ ROW "f" 9 PLATED THROUGH HOLES FOR BOTH UPSHIELDS
 - △ SHIELDS MOUNTED ON CONNECTOR WITH DOUBLE SIDED ADHESIVE TAPE
 - △ AREA RESERVED FOR KEYING PART (BASIC P.N. 100526)
 - △ NO CONTACTS ON COLUMNS 6-7 AND 9-10



COMPONENT SIDE AS SHOWN
 RECOMMENDED PCB-HOLE LAY-OUT
 SCALE 2,5:1



P.C.B. HOLE DIM. ACTION PIN
 FOR DETAILS SEE
 APPLICATION SPECIFICATION

THIS DRAWING IS A CONTROLLED DOCUMENT		DATE: 23/09/99	BY: V.O. HEIJDEN	CHK: V.O. HEIJDEN	APP: V. KONINGSBERG	PRG: 23/09/99	REV: 1
DIMENSIONS: MM		2 PLC	8 -	1 PLC	8 -	3 PLC	8 -
MATERIAL: -		FINISH: -	FINISH: -	FINISH: -	FINISH: -	FINISH: -	FINISH: -
CUSTOMER DRAWING		SIZE: A2	DATE CODE: 00779	DRAWING NO: 352359	REV: 1	SHEET: 1	OF: 1

IMP 1471-9 REV 31MAR2000