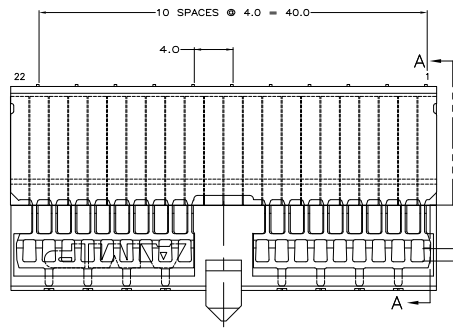
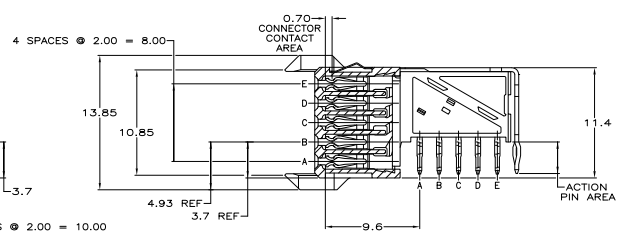
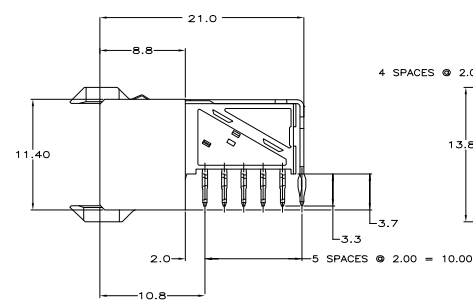
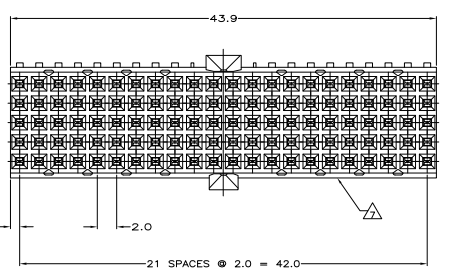


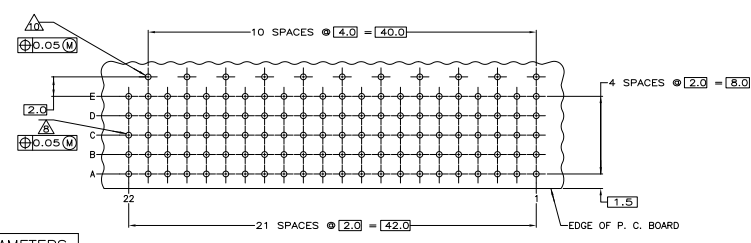
REV	DATE	DESCRIPTION	BY	CHKD
A1	08-27-2009		JvH	EM
B	08-10-2018		SW	MOW



L1.6 SHIELD CONTACT AREA



SECTION A-A
 ROTATED 90° CW



PLATED THRU HOLES PARAMETERS
 REFERENCE APPLICATION SPECIFICATION

RECOMMENDED PCB-HOLE LAYOUT
 COMPONENT SIDE SHOWN
 SCALE 2.5:1

- △ MATERIAL:
 CONTACT: PHOSPHOR BRONZE.
 HOUSING: GLASS-FILLED POLYESTER.
- △ GENERAL PLATING SPECIFICATION: UNDERPLATING
 (ENTIRE CONTACT): 1.27µm MIN NICKEL AND ACTION
 FIN: 0.5µm MIN TIN.
 FOR PLATING OF MATING SURFACES SEE APPLICABLE
 SPECIFICATION REFERENCE FOR EACH DASH NUMBER.
- △ CONFORMS TO ALL TESTING ACCORDING TO IEC 61076-4-101
 PERFORMANCE LEVEL 2.
- △ CONFORMS TO ALL TESTING ACCORDING TO IEC 61076-4-101
 PERFORMANCE LEVEL 1.
- △ CONNECTOR TESTED AND QUALIFIED AGAINST TELCORDIA GR-1217-CORE QUALITY LEVEL 3,
 CENTRAL OFFICE APPLICATIONS.
- △ CONNECTOR TESTED AND QUALIFIED AGAINST TELCORDIA GR-1217-CORE QUALITY LEVEL 3,
 UNCONTROLLED ENVIRONMENT APPLICATIONS.
- △ CONNECTOR MARKED WITH PART NUMBER AND DATE CODE.
 ADDITIONAL CHARACTERS OR MARKINGS, AS WELL AS THE LOCATION OF THE MARKINGS,
 MAY BE ADDED FOR TRACEABILITY BASED UPON MANUFACTURERS DISCRETION.
- △ PLATED-THROUGH HOLES AT 2x2mm SQUARE GRID
 PATTERN DEFINED BY CONTACT LAYOUT.
- △ CONNECTOR LUBRICATED WITH BELCORE APPROVED LUBRICANT.
 TECHNICAL REFERENCE: TR-NWT-001217 ISSUE 1, SEP 1992.
- △ 10 PLATED THROUGH HOLES FOR UPPER SHIELD, ROW F.

11. SHIELD MOUNTED TO CONNECTOR WITH DOUBLE SIDED ADHESIVE TAPE OR ADHESIVE.

FINISH	PART NUMBER
△△△	1-5646489-9
△△△	5646489-9
△△△	5646489-4
△△△	5646489-1

THIS DRAWING IS A CONTROLLED DOCUMENT.		REVISED	DATE	BY	CHKD
INCHES	MILLIMETERS	BY	DATE	BY	DATE
1:1	1:1	BY	DATE	BY	DATE
2:1	2:1	BY	DATE	BY	DATE
3:1	3:1	BY	DATE	BY	DATE
4:1	4:1	BY	DATE	BY	DATE
5:1	5:1	BY	DATE	BY	DATE
6:1	6:1	BY	DATE	BY	DATE
7:1	7:1	BY	DATE	BY	DATE
8:1	8:1	BY	DATE	BY	DATE
9:1	9:1	BY	DATE	BY	DATE
10:1	10:1	BY	DATE	BY	DATE
11:1	11:1	BY	DATE	BY	DATE
12:1	12:1	BY	DATE	BY	DATE
13:1	13:1	BY	DATE	BY	DATE
14:1	14:1	BY	DATE	BY	DATE
15:1	15:1	BY	DATE	BY	DATE
16:1	16:1	BY	DATE	BY	DATE
17:1	17:1	BY	DATE	BY	DATE
18:1	18:1	BY	DATE	BY	DATE
19:1	19:1	BY	DATE	BY	DATE
20:1	20:1	BY	DATE	BY	DATE
21:1	21:1	BY	DATE	BY	DATE
22:1	22:1	BY	DATE	BY	DATE
23:1	23:1	BY	DATE	BY	DATE
24:1	24:1	BY	DATE	BY	DATE
25:1	25:1	BY	DATE	BY	DATE
26:1	26:1	BY	DATE	BY	DATE
27:1	27:1	BY	DATE	BY	DATE
28:1	28:1	BY	DATE	BY	DATE
29:1	29:1	BY	DATE	BY	DATE
30:1	30:1	BY	DATE	BY	DATE
31:1	31:1	BY	DATE	BY	DATE
32:1	32:1	BY	DATE	BY	DATE
33:1	33:1	BY	DATE	BY	DATE
34:1	34:1	BY	DATE	BY	DATE
35:1	35:1	BY	DATE	BY	DATE
36:1	36:1	BY	DATE	BY	DATE
37:1	37:1	BY	DATE	BY	DATE
38:1	38:1	BY	DATE	BY	DATE
39:1	39:1	BY	DATE	BY	DATE
40:1	40:1	BY	DATE	BY	DATE
41:1	41:1	BY	DATE	BY	DATE
42:1	42:1	BY	DATE	BY	DATE
43:1	43:1	BY	DATE	BY	DATE
44:1	44:1	BY	DATE	BY	DATE
45:1	45:1	BY	DATE	BY	DATE
46:1	46:1	BY	DATE	BY	DATE
47:1	47:1	BY	DATE	BY	DATE
48:1	48:1	BY	DATE	BY	DATE
49:1	49:1	BY	DATE	BY	DATE
50:1	50:1	BY	DATE	BY	DATE
51:1	51:1	BY	DATE	BY	DATE
52:1	52:1	BY	DATE	BY	DATE
53:1	53:1	BY	DATE	BY	DATE
54:1	54:1	BY	DATE	BY	DATE
55:1	55:1	BY	DATE	BY	DATE
56:1	56:1	BY	DATE	BY	DATE
57:1	57:1	BY	DATE	BY	DATE
58:1	58:1	BY	DATE	BY	DATE
59:1	59:1	BY	DATE	BY	DATE
60:1	60:1	BY	DATE	BY	DATE
61:1	61:1	BY	DATE	BY	DATE
62:1	62:1	BY	DATE	BY	DATE
63:1	63:1	BY	DATE	BY	DATE
64:1	64:1	BY	DATE	BY	DATE
65:1	65:1	BY	DATE	BY	DATE
66:1	66:1	BY	DATE	BY	DATE
67:1	67:1	BY	DATE	BY	DATE
68:1	68:1	BY	DATE	BY	DATE
69:1	69:1	BY	DATE	BY	DATE
70:1	70:1	BY	DATE	BY	DATE
71:1	71:1	BY	DATE	BY	DATE
72:1	72:1	BY	DATE	BY	DATE
73:1	73:1	BY	DATE	BY	DATE
74:1	74:1	BY	DATE	BY	DATE
75:1	75:1	BY	DATE	BY	DATE
76:1	76:1	BY	DATE	BY	DATE
77:1	77:1	BY	DATE	BY	DATE
78:1	78:1	BY	DATE	BY	DATE
79:1	79:1	BY	DATE	BY	DATE
80:1	80:1	BY	DATE	BY	DATE
81:1	81:1	BY	DATE	BY	DATE
82:1	82:1	BY	DATE	BY	DATE
83:1	83:1	BY	DATE	BY	DATE
84:1	84:1	BY	DATE	BY	DATE
85:1	85:1	BY	DATE	BY	DATE
86:1	86:1	BY	DATE	BY	DATE
87:1	87:1	BY	DATE	BY	DATE
88:1	88:1	BY	DATE	BY	DATE
89:1	89:1	BY	DATE	BY	DATE
90:1	90:1	BY	DATE	BY	DATE
91:1	91:1	BY	DATE	BY	DATE
92:1	92:1	BY	DATE	BY	DATE
93:1	93:1	BY	DATE	BY	DATE
94:1	94:1	BY	DATE	BY	DATE
95:1	95:1	BY	DATE	BY	DATE
96:1	96:1	BY	DATE	BY	DATE
97:1	97:1	BY	DATE	BY	DATE
98:1	98:1	BY	DATE	BY	DATE
99:1	99:1	BY	DATE	BY	DATE
100:1	100:1	BY	DATE	BY	DATE