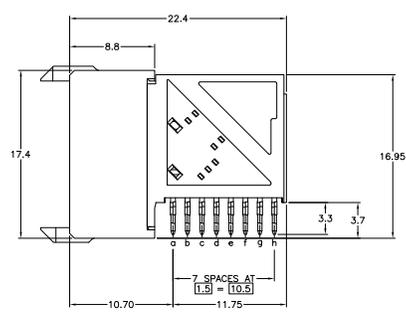
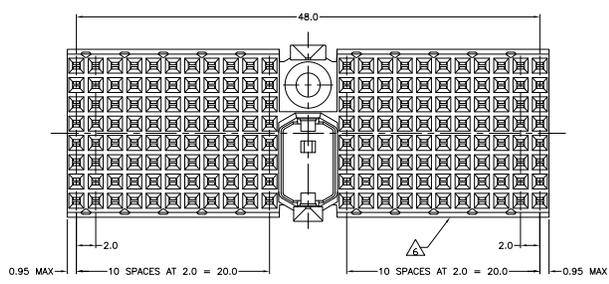
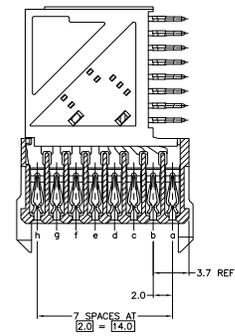
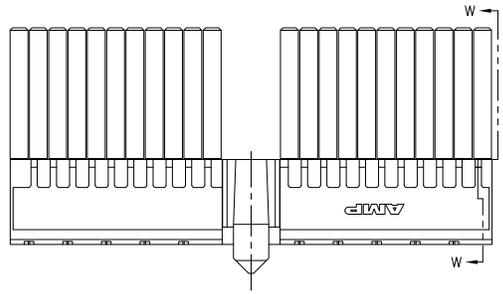
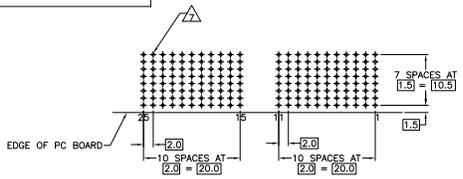


THIS DRAWING IS UNPUBLISHED  
 UNLESS INDICATED OTHERWISE  
 © 2008 BY TYS ELECTRONICS CORPORATION. ALL RIGHTS RESERVED.

REV	DATE	DESCRIPTION	BY	CHK	APP
AD	00				
C		REV PER ECR-11-003871			22FEB11 RC CW



**PLATED THRU HOLES PARAMETERS**  
 REFERENCE APPLICATION SPECIFICATION



**RECOMMENDED PCB-HOLE LAYOUT**  
 COMPONENT SIDE SHOWN  
 SCALE 2.5:1

- △ MATERIAL:  
CONTACT: PHOSPHOR BRONZE  
HOUSING: GLASS-FILLED POLYESTER.
- △ GENERAL PLATING SPECIFICATION: UNDERPLATING  
(ENTIRE CONTACT): 1.27µm MIN NICKEL AND ACTION  
PIN: 0.5µm MIN TIN  
FOR PLATING OF MATING SURFACES SEE APPLICABLE SPECIFICATION REFERENCE FOR EACH DASH NUMBER.
- △ CONFORMS TO ALL TESTING ACCORDING TO IEC 61076-4-101 PERFORMANCE LEVEL 2.
- △ CONFORMS TO ALL TESTING ACCORDING TO IEC 61076-4-101 PERFORMANCE LEVEL 1.
- △ CONNECTOR TESTED AND QUALIFIED AGAINST TELCORDIA GR-1217-CORE QUALITY LEVEL 3, CENTRAL OFFICE APPLICATIONS.
- △ CONNECTOR MARKED WITH PART NUMBER AND DATE CODE. ADDITIONAL CHARACTERS OR MARKINGS, AS WELL AS THE LOCATION OF THE MARKINGS, MAY BE ADDED FOR TRACEABILITY BASED UPON MANUFACTURERS DISCRETION.
- △ PLATED-THROUGH HOLES AT 2x2mm SQUARE GRID PATTERN DEFINED BY CONTACT LAYOUT.
- △ CONNECTOR LUBRICATED WITH BELCORE APPROVED LUBRICANT, TECHNICAL REFERENCE: TR-NWT-001217 ISSUE 1, SEP 1992.
- △ 0.76µm MIN GOLD PLATING ON MATING SURFACES

FINISH	PART NUMBER
△△△	3-5646442-0
△△	5646442-9
△	5646442-4
△	5646442-1

THIS DRAWING IS A CONTROLLED DOCUMENT.		REV	DATE	ISSUED BY	APPROVED BY
1	00779	0			
2		1			
3		2			
4		3			
5		4			
6		5			
7		6			
8		7			
9		8			
10		9			
11		10			
12		11			
13		12			
14		13			
15		14			
16		15			
17		16			
18		17			
19		18			
20		19			
21		20			
22		21			
23		22			
24		23			
25		24			
26		25			
27		26			
28		27			
29		28			
30		29			
31		30			
32		31			
33		32			
34		33			
35		34			
36		35			
37		36			
38		37			
39		38			
40		39			
41		40			
42		41			
43		42			
44		43			
45		44			
46		45			
47		46			
48		47			
49		48			
50		49			
51		50			
52		51			
53		52			
54		53			
55		54			
56		55			
57		56			
58		57			
59		58			
60		59			
61		60			
62		61			
63		62			
64		63			
65		64			
66		65			
67		66			
68		67			
69		68			
70		69			
71		70			
72		71			
73		72			
74		73			
75		74			
76		75			
77		76			
78		77			
79		78			
80		79			
81		80			
82		81			
83		82			
84		83			
85		84			
86		85			
87		86			
88		87			
89		88			
90		89			
91		90			
92		91			
93		92			
94		93			
95		94			
96		95			
97		96			
98		97			
99		98			
100		99			