

4

3

2

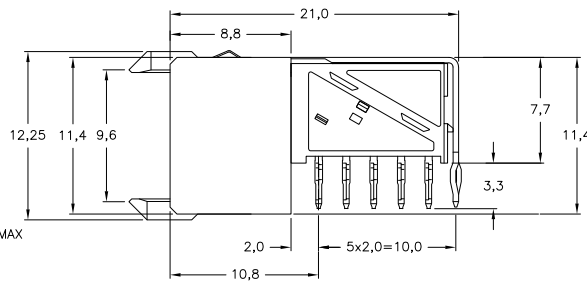
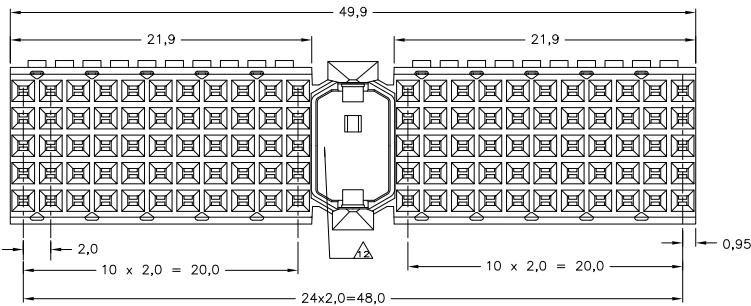
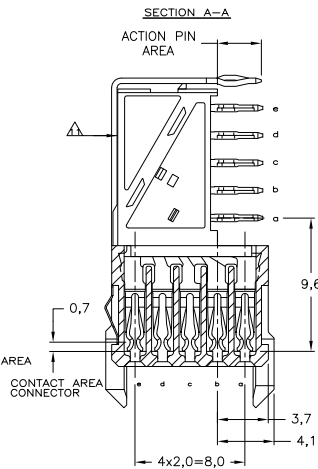
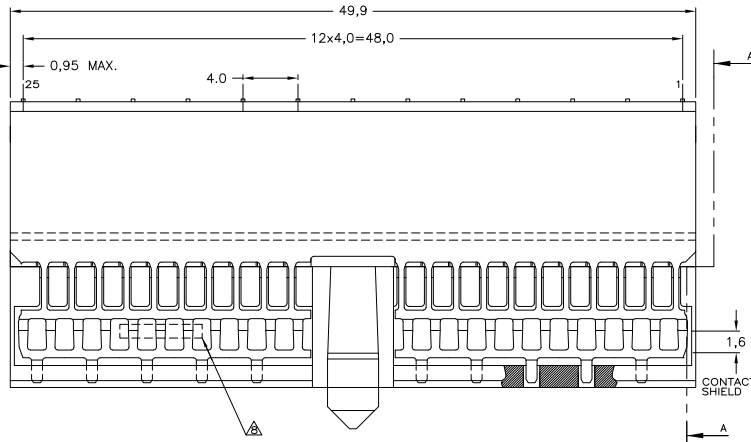
1

THIS DRAWING IS UNPUBLISHED. RELEASED FOR PUBLICATION.
 © COPYRIGHT BY TYCO ELECTRONICS CORPORATION. ALL RIGHTS RESERVED.

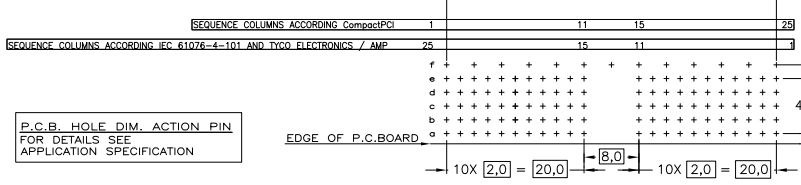
LOC	DIST	REVISIONS					
H		F	LR	DESCRIPTION	DATE	BY	APPD
		B2		ECR-07-019485	19SEP2007	JvH	BM
		C		ECR-10-018652	10SEP10	SW	MQW

NOTES:

- △ MATERIAL CONTACTS: PHOSPHORBRONZE
- △ MATERIAL HOUSING: GLASSFILLED POLYESTER (GRAY)
- △ GENERAL PLATING SPECIFICATION: UNDERPLATING (ENTIRE CONTACT): 1,27µm NICKEL MIN. AND ACTION PIN: 0,5µm TIN MIN. FOR PLATING OF MATING SURFACES SEE APPLICABLE SPECIFICATION REFERENCE FOR EACH DASH NUMBER.
- △ CONFORMS TO ALL TESTING ACCORDING IEC 61076-4-101 PERFORMANCE LEVEL 2.
- △ CONFORMS TO ALL TESTING ACCORDING IEC 61076-4-101 PERFORMANCE LEVEL 1.
- △ CONNECTOR TESTED AND QUALIFIED AGAINST TELCORDIA GR-1217-CORE QUALITY LEVEL III, CENTRAL OFFICE APPLICATIONS.
- △ CONNECTOR LUBRICATED WITH TELCORDIAGR-1217-CORE APPROVED LUBRICANT.
- △ PLATING SHIELD: CONTACT AREA: 0,76µm Au MIN., ACTION PIN: 0,5µm Sn MIN., REMAINDER: Ni
- △ ASSEMBLY PRINTED WITH P/N AND DATECODE
- △ THE MARKING CAN APPEAR ON THE FRONT SIDE OR BACK SIDE.
- △ HOLE PATTERN FOR FEMALE CONNECTOR TYPE A
- △ 110 PLATED-THROUGH HOLES AT 2x2mm SQUARE GRID
- △ ROW "1" 13 PLATED THROUGH HOLES FOR UPERSHIELD
- △ SHIELD MOUNTED ON CONNECTOR WITH DOUBLE SIDED ADHESIVE TAPE OR ADHESIVE.
- △ AREA RESERVED FOR KEYING PART (BASIC P.N. 100526)
- △ 13 BASIC P.N. LOWERSHIELD: 5338108



COMPONENT SIDE AS SHOWN
 RECOMMENDED PCB-HOLE LAY-OUT



SCALE 2,5:1

FINISH	MATERIAL	PARTNUMBER
△△△△	△	5352068-9
△△△△	△	5352068-4
△△△△	△	5352068-1

P.C.B. HOLE DIM. ACTION PIN
 FOR DETAILS SEE
 APPLICATION SPECIFICATION

THIS DRAWING IS A CONTROLLED DOCUMENT.
 DIMENSIONS: mm
 TOLERANCES UNLESS OTHERWISE SPECIFIED:
 0-PLD ±0,2
 1-PLD ±0,2
 2-PLD ±0,2
 3-PLD ±0,2
 4-PLD ±0,2
 ANGLES ±0,5

18AU2204
 K.N. KIRAN 24SEP2004
 S. MOOIJ 24SEP2004
 B. MOOIJ 24SEP2004
 108-19082
 APPLICATION SPEC 14-19029
 WEIGHT -
 CUSTOMER DRAWING

Tyco Electronics Corporation
 's-Hertogenbosch, 5222AR-32
 Z-PACK 2mm HM
 TYPE A - 25 COLUMNS
 PRE-SHIELDED RECEPTACLE

SIZE CASE CODE DRAWING NO. RESTRICTED TO
 A2 00779 C-5352068

SCALE 5:1 SHEET 1 OF 1 REV C

AMP 1471-9 REV 31MAR2000

5352068

A