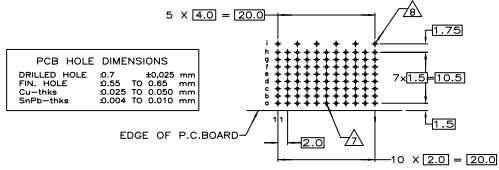
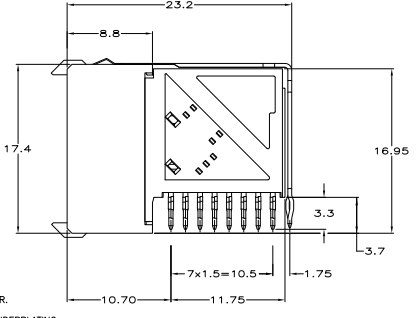
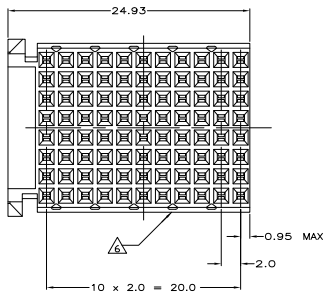
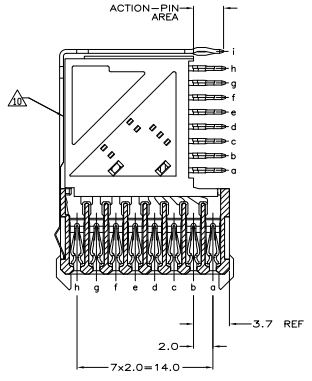
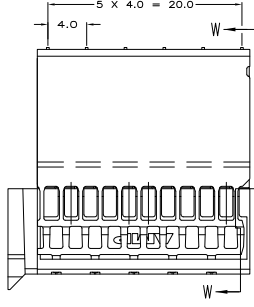


THIS DRAWING IS UNPUBLISHED
 UNLESS INDICATED OTHERWISE
 © 1992 TYS ELECTRONICS CORPORATION ALL RIGHTS RESERVED

REV	DATE	DESCRIPTION	BY	CHKD
AD	00			
D		REVISED FOR ECO-11-004637		



PCB HOLE DIMENSIONS		
DRILLED HOLE	0.7	±0.025 mm
FIN. HOLE	2.55	TO 0.05 mm
Cu-thks	0.025	TO 0.050 mm
SnPb-thks	0.004	TO 0.010 mm

- △ MATERIAL:
CONTACT: PHOSPHOR BRONZE.
HOUSING: GLASS-FILLED POLYESTER.
- △ GENERAL PLATING SPECIFICATION: UNDERPLATING
(ENTIRE CONTACT): 1.27µm MIN NICKEL AND ACTION
FIN: 0.5µm MIN TIN.
FOR PLATING OF MATING SURFACES SEE APPLICABLE
SPECIFICATION REFERENCE FOR EACH DASH NUMBER.
- △ CONFORMS TO ALL TESTING ACCORDING TO IEC 61076-4-101
PERFORMANCE LEVEL 2.
- △ CONNECTOR TESTED AND QUALIFIED AGAINST TELCORDIA GR-1217-CORE QUALITY LEVEL 3,
CENTRAL OFFICE APPLICATIONS.
- △ CONNECTOR TESTED AND QUALIFIED AGAINST TELCORDIA GR-1217-CORE QUALITY LEVEL 3,
UNCONTROLLED ENVIRONMENT APPLICATIONS.
- △ CONNECTOR MARKED WITH PART NUMBER AND DATE CODE.
ADDITIONAL CHARACTERS OR MARKINGS, AS WELL AS THE LOCATION OF THE MARKINGS,
MAY BE ADDED FOR TRACEABILITY BASED UPON MANUFACTURERS DISCRETION.
- △ PLATED-THROUGH HOLES AT 2x1.5mm GRID
88 TOTAL HOLES.
- △ ROW "1" 6 PLATED THROUGH HOLES FOR UPERSHIELD.
- △ CONNECTOR & SHIELD LUBRICATED WITH BELCORE APPROVED LUBRICANT,
TECHNICAL REFERENCE: TR-NWT-001217 ISSUE 1, SEP. 1992.
- △ SHIELD MOUNTED ON CONNECTOR WITH DOUBLE SIDED ADHESIVE TAPE
OR ADHESIVE.

OBsolete	△△△	1-5646492-9
OBsolete	△△△	5646492-9
	△△△	5646492-1
	△△△	5646492-1
	△△△	FINISH
	△△△	PART NUMBER

THIS DRAWING IS A CONTROLLED DOCUMENT		REV	DATE	DESCRIPTION	BY	CHKD
DESIGNING	DESIGNED					
ENGINEERING	ENGINEERED					
MANUFACTURING	MANUFACTURED					
INSPECTION	INSPECTED					
TESTING	TESTED					
SEC. TABLE	SEC. TABLE					
CUSTOMER DRAWING	CUSTOMER DRAWING					