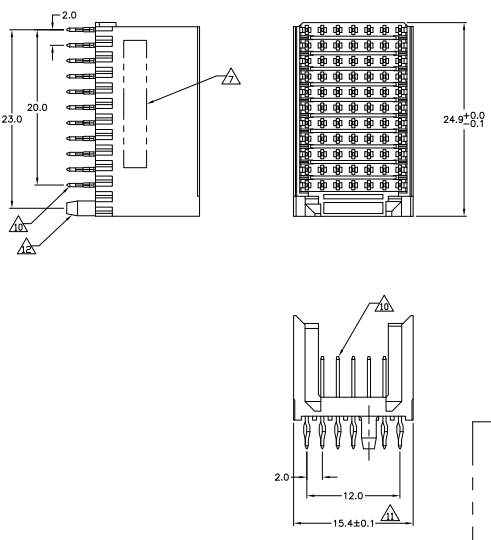


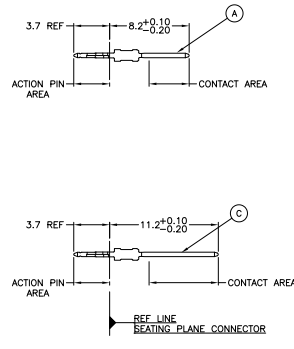
THIS DRAWING IS UNPUBLISHED  
 ALL RIGHTS RESERVED

REV	DATE	DESCRIPTION	BY	CHK	APP
00					
D1		REVISED PER EDD-11-005033	28MAR11	RK	HMR

**CONNECTOR ASSEMBLY  
 EXAMPLARY LOADED**



**CONTACT DIMENSIONS**  
 SCALE 5:1

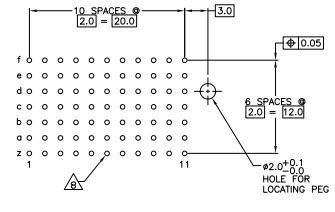


**CONTACT LAYOUT**

	z	a	b	c	d	e	f
1	C	A	A	A	A	A	C
2	C	A	A	A	A	A	C
3	C	A	A	A	A	A	C
4	C	A	A	A	A	A	C
5	C	A	A	A	A	A	C
6	C	A	A	A	A	A	C
7	C	A	A	A	A	A	C
8	C	A	A	A	A	A	C
9	C	A	A	A	A	A	C
10	C	A	A	A	A	A	C
11	C	A	A	A	A	A	C

GUIDING

**RECOMMENDED PCB-HOLE LAYOUT  
 COMPONENT SIDE SHOWN**



**PLATED THRU HOLES PARAMETERS**

REFERENCE APPLICATION SPECIFICATION

FINISH	PART NUMBER
△△△	3-5106081-0
△△△	1-5106081-9
△△△	5106081-9
△△△	5106081-4
△△△	5106081-1

THIS DRAWING IS A CONTROLLED DOCUMENT.

DESIGNED BY	DESIGNED DATE	DESIGNED BY	DESIGNED DATE
DRAWN BY	DRAWN DATE	DRAWN BY	DRAWN DATE
CHECKED BY	CHECKED DATE	CHECKED BY	CHECKED DATE
APPROVED BY	APPROVED DATE	APPROVED BY	APPROVED DATE

TE Connectivity  
 MALE ASSEMBLY, 2-PACK 2mm HM, TYPE C

SIZE: 114-19029  
 DATE: 108-19082  
 PART NO: 5106081

CUSTOMER DRAWING: A100779 (5106081)

SCALE: 4:1 SHEET: 1 OF 2

8	7	6	5	4	3	2	1	
THIS DRAWING IS UNPUBLISHED							NEEDED FOR VERIFICATION	
© SUPPLIER							ALL RIGHTS RESERVED	

REV	DATE	DESCRIPTION	BY	APP
AD	00			
		SEE SHEET 1		

- △ MATERIAL:  
CONTACT: PHOSPHOR BRONZE.  
HOUSING: GLASS-FILLED POLYESTER.
- △ GENERAL PLATING SPECIFICATION: UNDERPLATING  
(ENTIRE CONTACT); 1.27µm MIN NICKEL AND ACTION  
PIN: 0.5µm MIN TIN.  
FOR PLATING OF MATING SURFACES SEE APPLICABLE  
SPECIFICATION REFERENCE FOR EACH DASH NUMBER.
- △ CONFORMS TO ALL TESTING ACCORDING TO IEC 61076-4-101  
PERFORMANCE LEVEL 2.
- △ CONFORMS TO ALL TESTING ACCORDING TO IEC 61076-4-101  
PERFORMANCE LEVEL 1.
- △ CONNECTOR TESTED AND QUALIFIED AGAINST TELCORDIA GR-1217-CORE QUALITY LEVEL 3,  
CENTRAL OFFICE APPLICATIONS.
- △ CONNECTOR TESTED AND QUALIFIED AGAINST TELCORDIA GR-1217-CORE QUALITY LEVEL 3,  
UNCONTROLLED ENVIRONMENT APPLICATIONS.
- △ CONNECTOR MARKED WITH PART NUMBER AND DATE CODE.  
ADDITIONAL CHARACTERS OR MARKINGS, AS WELL AS THE LOCATION OF THE MARKINGS,  
MAY BE ADDED FOR TRACEABILITY BASED UPON MANUFACTURERS DISCRETION.
- △ PLATED-THROUGH HOLES AT 2x2mm SQUARE GRID  
PATTERN DEFINED BY CONTACT LAYOUT.
- △ FOR ACTUAL PIN LOADING SEE "CONTACT LAYOUT".
- △ FOR ACTUAL PIN DIMENSIONS SEE "CONTACT DIMENSIONS".
- △ TO BE MEASURED AT BOTTOM OF SHROUD.
- △ LOCATION PEG.
- △ CONNECTOR LUBRICATED WITH BELCORE APPROVED LUBRICANT,  
TECHNICAL REFERENCE: TR-NW-001217 ISSUE 1, SEP 1992.
- △ 0.76µm MIN. GOLD PLATING AT MATING SURFACES.

THIS DRAWING IS A CONTROLLED DOCUMENT.		REV. CARRIED	QUANTITY		TE Connectivity
DESIGNER	ENGINEER	DRW. SKETCHER	CHKD		MALE ASSEMBLY, 2-PACK 2mm HM, TYPE C
DATE	REV. NO.	REV. NO.	REV. NO.	REV. NO.	REV. NO.
108-19082	108-19082	108-19082	108-19082	108-19082	108-19082
114-19029	114-19029	114-19029	114-19029	114-19029	114-19029
SEE SHEET 1	SEE SHEET 1	SEE SHEET 1	SEE SHEET 1	SEE SHEET 1	SEE SHEET 1
CUSTOMER DRAWING		SIZE	DATE	DRAWING NO.	REVISED TO
		A1	00779	G=5106081	
		SCALE	SHEET	TOTAL	REV
		4:1	2	2	D1