

4

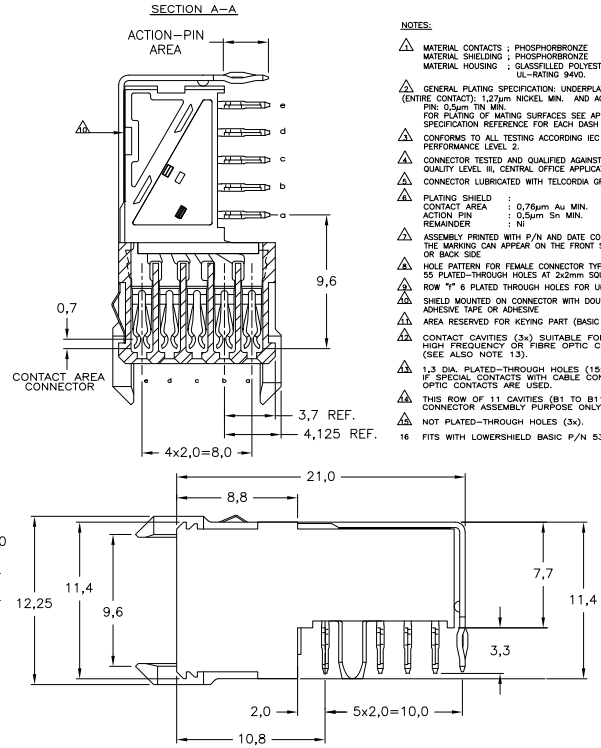
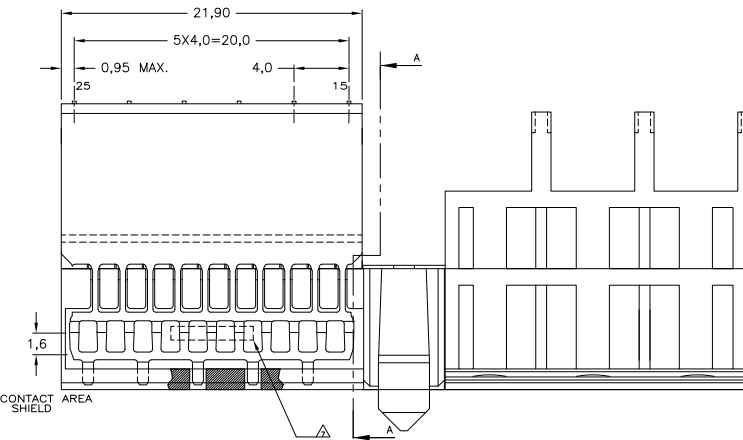
3

2

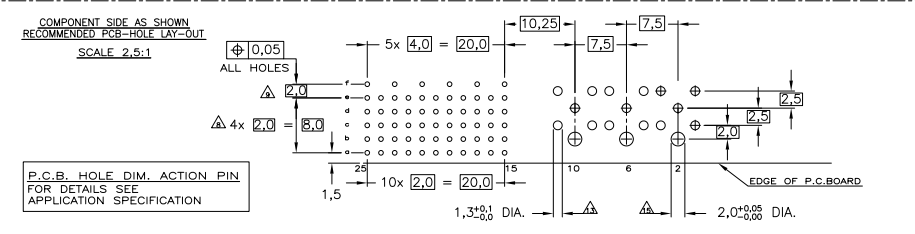
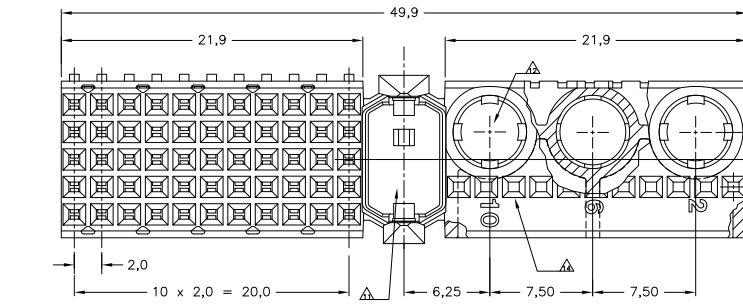
1

THIS DRAWING IS UNPUBLISHED. RELEASED FOR PUBLICATION  
 BY TYCO ELECTRONICS CORPORATION. ALL RIGHTS RESERVED.

LOC	DIST	REVISIONS			
F	LNK	DESCRIPTION	DATE	BY	APPD
B	2	ECR-07-030919	21DEC2007	JvH	BM
C	3	ECR-10-018652	10SEP10	SW	MQW



- NOTES:
- △ MATERIAL CONTACTS : PHOSPHORBRONZE
  - △ MATERIAL SHIELDING : PHOSPHORBRONZE
  - △ MATERIAL HOUSING : GLASSFILLED POLYESTER (GRAY)
  - △ GENERAL PLATING SPECIFICATION: UNDERPLATING (ENTIRE CONTACT); 1,27µm NICKEL MIN. AND ACTION PIN; 0,5µm TIN MIN.
  - △ FOR PLATING OF MATING SURFACES SEE APPLICABLE SPECIFICATION REFERENCE FOR EACH DASH NUMBER.
  - △ CONFORMS TO ALL TESTING ACCORDING IEC 61076-4-101 PERFORMANCE LEVEL 2.
  - △ CONNECTOR TESTED AND QUALIFIED AGAINST TELCORDIA GR-1217-CORE QUALITY LEVEL III, CENTRAL OFFICE APPLICATIONS.
  - △ CONNECTOR LUBRICATED WITH TELCORDIA GR-1217-CORE APPROVED LUBRICANT.
  - △ PLATING SHIELD : CONTACT AREA : 0,75µm Au MIN.
  - △ ACTION PIN : 0,5µm Sn MIN.
  - △ REMAINDER : Ni
  - △ ASSEMBLY PRINTED WITH P/N AND DATE CODE. THE MARKING CAN APPEAR ON THE FRONT SIDE OR BACK SIDE.
  - △ HOLE PATTERN FOR FEMALE CONNECTOR TYPE M 95 PLATED-THROUGH HOLES AT 2x2mm SQUARE GRID
  - △ ROW "T" IS PLATED THROUGH HOLES FOR UPERSHIELD
  - △ SHIELD MOUNTED ON CONNECTOR WITH DOUBLE SIDED ADHESIVE TAPE OR ADHESIVE
  - △ AREA RESERVED FOR KEYING PART (BASIC P/N: 100526)
  - △ CONTACT CAVITIES (3x) SUITABLE FOR 4,8 DIA. HIGH CURRENT, HIGH FREQUENCY OR FIBRE OPTIC CONTACTS AS PER DIN 41626 (SEE ALSO NOTE 13).
  - △ 1,3 DIA. PLATED-THROUGH HOLES (16x) CAN BE OMITTED IF SPECIAL CONTACTS WITH CABLE CONNECTION OR FIBRE OPTIC CONTACTS ARE USED.
  - △ THIS ROW OF 11 CAVITIES (B1 TO B11) FOR CONNECTOR ASSEMBLY PURPOSE ONLY.
  - △ NOT PLATED-THROUGH HOLES (3x).
  - △ 16 FITS WITH LOWERSHIELD BASIC P/N 5352112



FINISH	MATERIAL	PARTNUMBER
△△△△	△	5352177-9
△△△△	△	5352177-1

THIS DRAWING IS A CONTROLLED DOCUMENT.

DWG	K.N.KIRAN	20AUG2004
CHK	B.MOOUJ	27OCT2004
APPD	B.MOOUJ	27OCT2004
PRODUCT SPEC	108-19082	
APPLICATION SPEC	114-19029	
WEIGHT	-	

Customer Drawing

SCALE	5:1	SHEET	1 of 1	REV	C
-------	-----	-------	--------	-----	---

AMP 1471-9 REV 31MAR2000

5352177

A