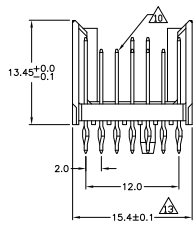
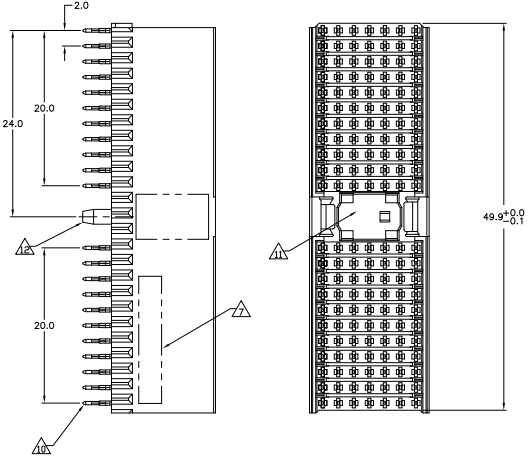


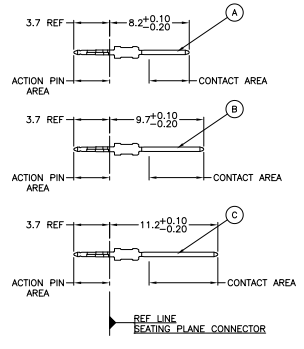
THIS DRAWING IS UNPUBLISHED. ALL RIGHTS RESERVED.
 © 2005 JDS PHOTONICS CORPORATION. ALL RIGHTS RESERVED.

REV	DATE	DESCRIPTION	BY	CHKD
A	0512-0215-05	REVISED PER EC 0512-0215-05	JDF	GS
B	10-019054	ECR-10-019054	DP	MOV

**CONNECTOR ASSEMBLY
EXAMPLARY LOADED**



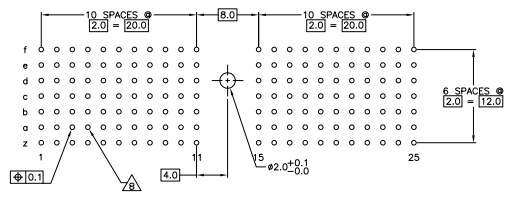
CONTACT DIMENSIONS
SCALE 5:1



CONTACT LAYOUT

	z	a	b	c	d	e	f
1	C	B	B	B	B	C	C
2	C	B	B	B	B	C	C
3	C	B	B	B	B	C	C
4	C	B	B	B	B	C	C
5	C	B	B	B	B	C	C
6	C	B	B	B	B	C	C
7	C	B	B	B	B	C	C
8	C	B	B	B	B	C	C
9	C	B	B	B	B	C	C
10	C	B	B	B	B	C	C
MULTI PURPOSE CENTER							
15	C	B	B	B	B	C	C
16	C	B	B	B	B	C	C
17	C	B	A	B	C	B	C
18	C	B	B	B	B	C	C
19	C	B	B	B	B	C	C
20	C	B	B	B	B	C	C
21	C	B	B	B	B	C	C
22	C	B	B	B	B	C	C
23	C	B	B	B	B	C	C
24	C	B	B	B	B	C	C
25	C	B	B	B	B	C	C

**RECOMMENDED PCB-HOLE LAYOUT
COMPONENT SIDE SHOWN**



PLATED THRU HOLES PARAMETERS
REFERENCE APPLICATION SPECIFICATION

OBSOLETE	1-5352332-9
	5352332-9
	5352332-4
	5352332-1
FINISH	PART NUMBER

THIS DRAWING IS A CONTROLLED DOCUMENT.		DESIGNED BY	SKETCHED BY	DATE	REVISED BY	DATE	REVISED BY	DATE	REVISED BY	DATE
DRAWN BY		DATE	DATE	DATE	DATE	DATE	DATE	DATE	DATE	DATE
CHECKED BY		DATE	DATE	DATE	DATE	DATE	DATE	DATE	DATE	DATE
APPROVED BY		DATE	DATE	DATE	DATE	DATE	DATE	DATE	DATE	DATE
CUSTOMER DRAWING		DATE	DATE	DATE	DATE	DATE	DATE	DATE	DATE	DATE

THIS DRAWING IS UNPUBLISHED
 © 2008 Tyco Electronics Corporation. ALL RIGHTS RESERVED.

REV	DATE	DESCRIPTION	BY	APP
00				
01		SEE SHEET 1		

- △ MATERIAL:
CONTACT: PHOSPHOR BRONZE.
HOUSING: GLASS-FILLED POLYESTER.
- △ GENERAL PLATING SPECIFICATION: UNDERPLATING
(ENTIRE CONTACT): 1.27µm MIN NICKEL AND ACTION
PIN: 0.5µm MIN TIN.
FOR PLATING OF MATING SURFACES SEE APPLICABLE
SPECIFICATION REFERENCE FOR EACH DASH NUMBER.
- △ CONFORMS TO ALL TESTING ACCORDING TO IEC 61076-4-101
PERFORMANCE LEVEL 2.
- △ CONFORMS TO ALL TESTING ACCORDING TO IEC 61076-4-101
PERFORMANCE LEVEL 1.
- △ CONNECTOR TESTED AND QUALIFIED AGAINST TELCORDIA GR-1217-CORE QUALITY LEVEL 3,
CENTRAL OFFICE APPLICATIONS.
- △ CONNECTOR TESTED AND QUALIFIED AGAINST TELCORDIA GR-1217-CORE QUALITY LEVEL 3,
UNCONTROLLED ENVIRONMENT APPLICATIONS.
- △ CONNECTOR MARKED WITH PART NUMBER AND DATE CODE.
ADDITIONAL CHARACTERS OR MARKINGS, AS WELL AS THE LOCATION OF THE MARKINGS,
MAY BE ADDED FOR TRACEABILITY BASED UPON MANUFACTURERS DISCRETION.
- △ PLATED-THROUGH HOLES AT 2x2mm SQUARE GRID
PATTERN DEFINED BY CONTACT LAYOUT.
- △ FOR ACTUAL PIN LOADING SEE "CONTACT LAYOUT".
- △ FOR ACTUAL PIN DIMENSIONS SEE "CONTACT DIMENSIONS".
- △ AREA RESERVED FOR KEYING PART (BASIC P/N 100525)
- △ POLARIZATION FEATURE.
- △ TO BE MEASURED AT BOTTOM OF SHROUD.
- △ CONNECTOR LUBRICATED WITH BELCORE APPROVED LUBRICANT,
TECHNICAL REFERENCE: TR-NWT-001217 ISSUE 1, SEP 1992.

THIS DRAWING IS A CONTROLLED DOCUMENT.		DESIGNED BY	SKETCHED BY	Tyco Electronics Corporation Harrisburg, Pa 17105-3608	
DRAWN BY	ENGINEER CHECKED BY	DESIGNED BY	SKETCHED BY	Tyco Electronics Corporation	
108-19082	108-19082	108-19082	108-19082	MALE ASSEMBLY, 2-PACK 2mm HM, TYPE A	
114-19029	114-19029	114-19029	114-19029	SIZE	DATE REE
SEE SHEET 1	SEE SHEET 1	SEE SHEET 1	SEE SHEET 1	A1	00779
CUSTOMER DRAWING				SCALE	2" = 2"

28.4105 3-48cm u049273 H:\dm\lec-mod\5352332-c-dwg