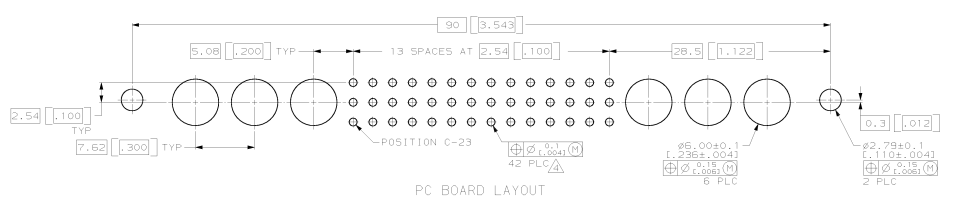
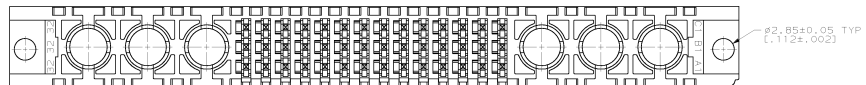
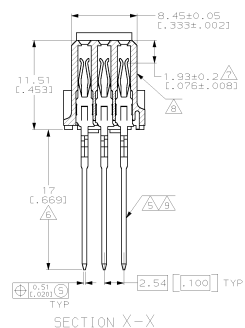
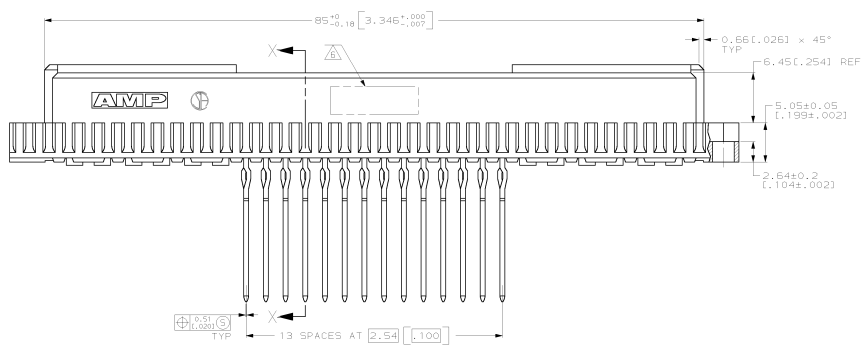
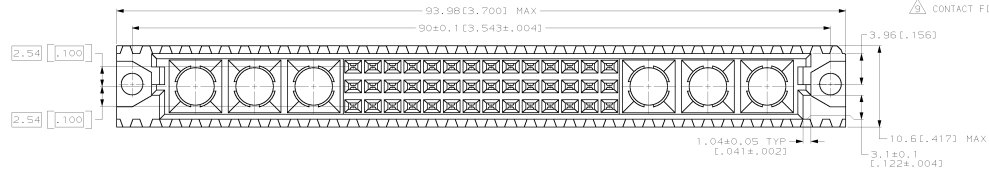


REV		DESCRIPTION		DATE	BY	CHK
0	AD	25	REV PER EC	0621-80-99	BC	CR

- △ HOUSING MATERIAL: GLASS-FILLED POLYESTER, COLOR: GRAY.
- △ CONTACT MATERIAL: PHOSPHOR BRONZE.
- △ PART NUMBER AND DATE CODE HOT STAMPED IN THIS APPROXIMATE AREA.
- △ ACTION PIN POSTS REQUIRE 1.57 (.062) MINIMUM THICK PC BOARD. RECOMMENDED PC BOARD DRILLED HOLES ARE #1.151 (+0.025, -0.033) WITH 0.02 (-0.081, +0.03) COPPER AND 0.008 (-0.003) MINIMUM TIN-LEAD PLATING. FINISHED HOLES AFTER PLATING #1.024 (+0.081, -0.042).
- △ CONTACT FINISH: DIN 41612 CLASS 2 IN CONTACT AREA. TIN-LEAD PLATE ON POSTS.
- △ TAIL LENGTH AFTER SEATED IN PC BOARD.
- △ CONTACT POINT AFTER SEATED IN PC BOARD.
- △ HOT STAMPING ON THIS SIDE.
- △ CONTACT FINISH: DIN 41612 CLASS 2 IN CONTACT AREA AND LAST 5.08 (.200) OF POST.



THIS DRAWING IS A CONTROLLED DOCUMENT.		BY: BOJNER 10/1/79	AMP Incorporated
DATE: 10/1/79	DESIGNED BY: PATTERSON 10/1/79	DATE: 10/1/79	Harrisburg, PA 17105-8608
REV: 0	BY: PATTERSON 10/1/79	REV: 0	1-148425-5
RECEIPTABLE ASSEMBLY, EUROCARD, TYPE M, 42 + 6 POSITION		PART NUMBER	
MATERIAL: HOUSING, POST	PROCESS: -	REV: 0	1-148425
CUSTOMER DRAWING		REV: 0	1-148425