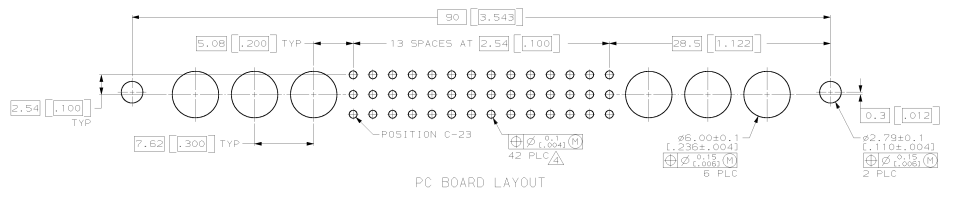
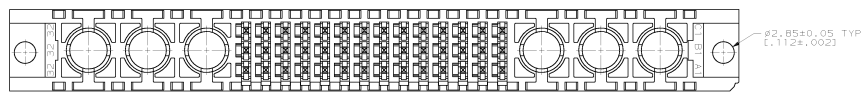
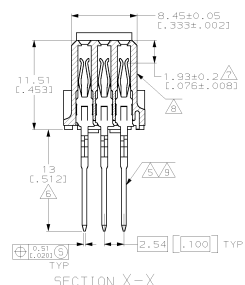
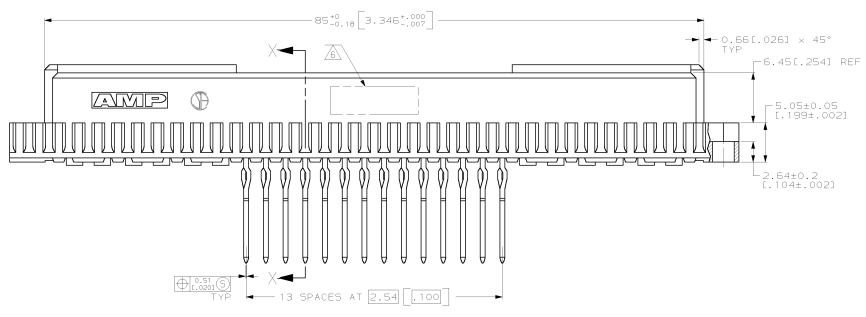
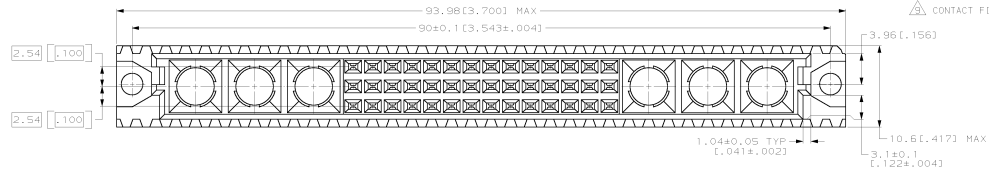


REV		DESCRIPTION		DATE	BY	CHK
AD	ZS	1	REV PER EC 0621-80-99	05.08.99	BC	CR

- △ HOUSING MATERIAL: GLASS-FILLED POLYESTER, COLOR: GRAY.
- △ CONTACT MATERIAL: PHOSPHOR BRONZE.
- △ PART NUMBER AND DATE CODE HOT STAMPED IN THIS APPROXIMATE AREA.
- △ ACTION PIN POSTS REQUIRE 1.57[.062] MINIMUM THICK PC BOARD, RECOMMENDED PC BOARD DRILLED HOLES ARE #1.151[+0.025/-0.043] WITH 0.02[+0.001/-0.003] COPPER AND 0.008[+0.0003] MINIMUM TIN-LEAD PLATING, FINISHED HOLES AFTER PLATING #1.024[+0.081/-0.40+0.021].
- △ CONTACT FINISH: DIN 41612 CLASS 2 IN CONTACT AREA. TIN-LEAD PLATE ON POSTS.
- △ TAIL LENGTH AFTER SEATED IN PC BOARD.
- △ CONTACT POINT AFTER SEATED IN PC BOARD.
- △ HOT STAMPING ON THIS SIDE.
- △ CONTACT FINISH: DIN 41612 CLASS 2 IN CONTACT AREA AND LAST 5.0BT.200] OF POST.



THIS DRAWING IS A CONTROLLED DOCUMENT.		BY	DATE	REV	DESCRIPTION	DATE	BY	CHK
AD	ZS	1	05.08.99	BC	CR			

AMP Incorporated  
 Harrisburg, PA 17105-8608

RECEPTACLE ASSEMBLY, EUROCARD,  
 TYPE M, 42 + 6 POSITION

1-148424-5  
 148424-5  
 PART NUMBER

1-148424-5  
 148424-5  
 PART NUMBER

1-148424-5  
 148424-5  
 PART NUMBER