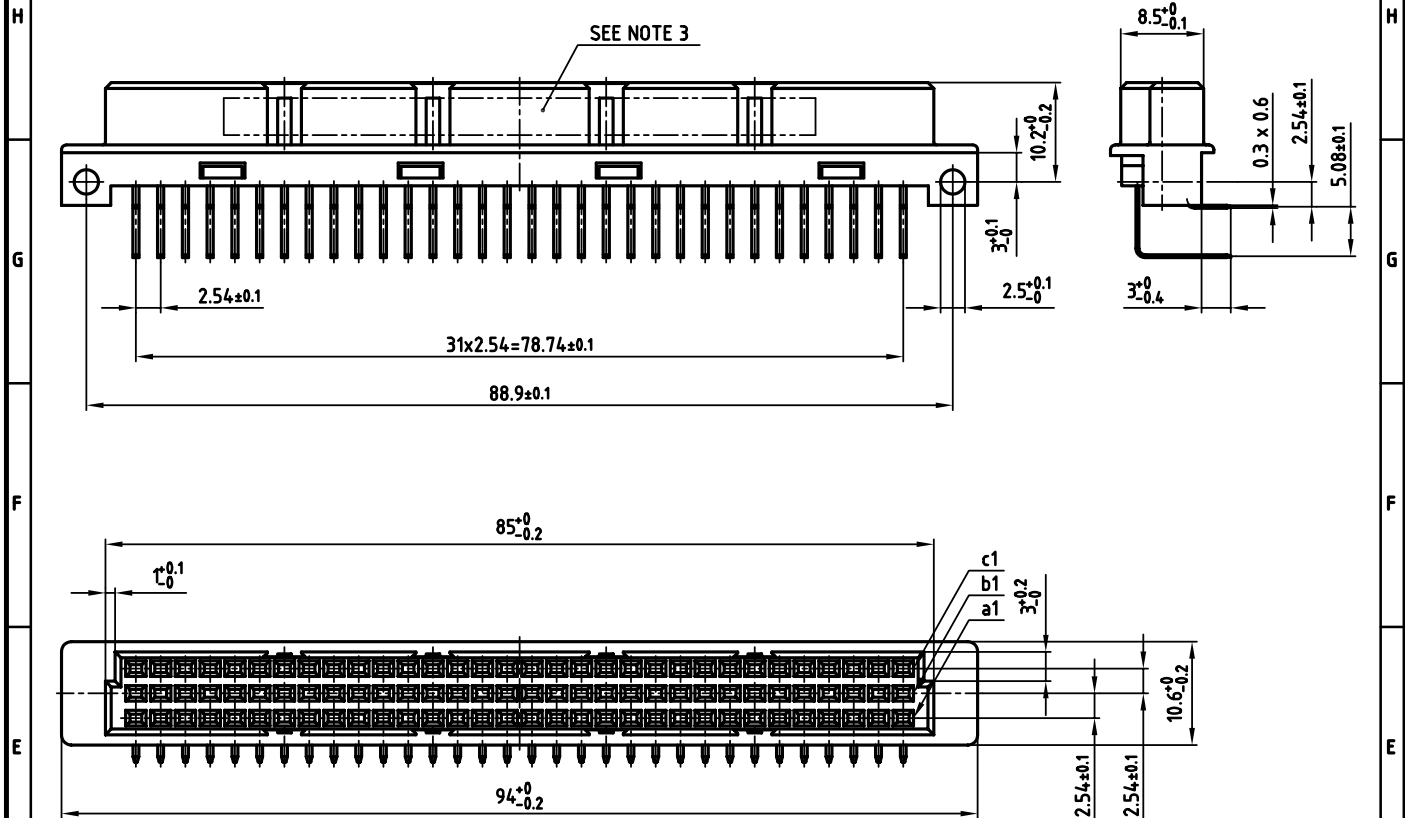
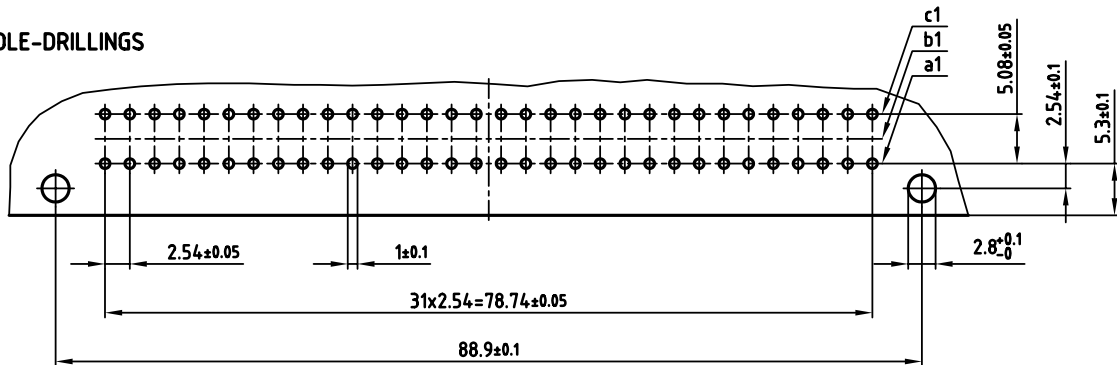


used for: DIN EN 60603 TYPE "R"



P.C.B. HOLE-DRILLINGS



NOTES:

- INSULATORS: PBT GF UL 94 V-0, GREY
- CONTACTS: COPPER ALLOY
PLATING: min. 8µ" HARD GOLD OVER min. 50µ" NICKEL
- CONNECTOR IS PART MARKED: 122A10849X CONEC Y/w/w

APPROVAL # FREIGABE # DEBLOCAGE # AUTORIZACION # APPROVAL

CUSTOMER APPROVAL DATE:

NAME: TITLE:

COMPANY NAME:

APPROVAL # FREIGABE # DEBLOCAGE # AUTORIZACION # APPROVAL

THIS DRAWING MAY NOT BE COPIED OR REPRODUCED IN ANY WAY, AND MAY NOT BE PASSED ON TO A THIRD PARTY, WITHOUT WRITTEN PERMISSION. OWNERSHIP AND COPYRIGHT OF CONEC GmbH. DO NOT ALTER CAD DRAWING BY HAND

rev.	description	date	name

tolerance		scale:	2:1
2002	date	name	material:
drawn	01.07.	Parei	SEE NOTES
appd.	01.07.	E. Mickenbecker	title:
norm	DIN EN 60603		FEMALE CONNECTOR TYPE "R"
d-old			64pos. ANGLED
		dwg no:	AutoCAD 2000
			DIN-A
			3
			sh: 1/1
		part no:	122A10849X

