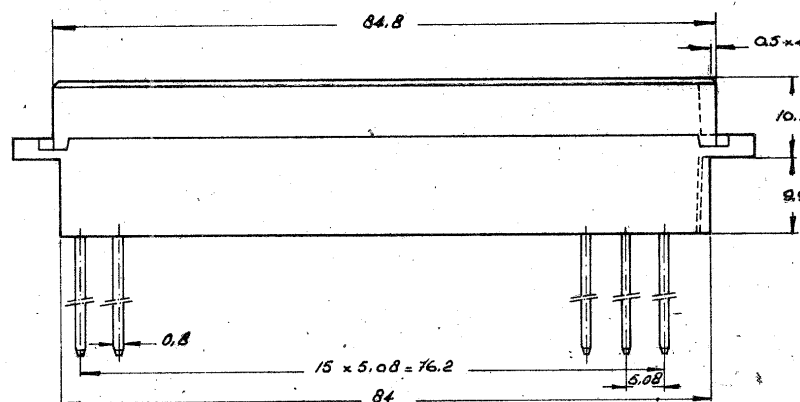
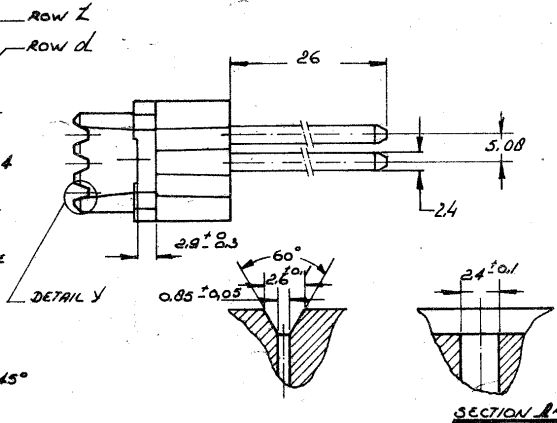
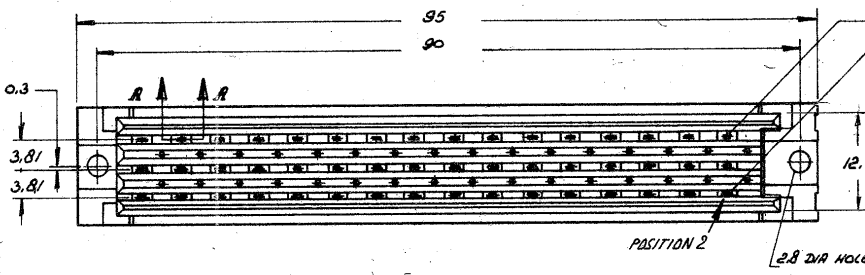


DRAWING MADE IN AMERICAN PROJECTION



AN ASTERISK \* DENOTES A CONTACT.

CONTACT NO.	
Z	XXXXXXXXXXXXXXXXXXXX
d	XXXXXXXXXXXXXXXXXXXX
	.....

OBsolete	2-166011-8	RT CONTACT AREA 04 UM ALU FILL OVER 1.25 UM NI
OBsolete	2-166011-7	RT POST AREA GOLD FLASH OVER 1.25 UM NI
OBsolete	2-166011-6	RT CONTACT AREA 2.0 UM ALU FILL OVER 1.25 UM NI
OBsolete	2-166011-4	RT CONTACT AREA 3.75 UM ALU FILL OVER 1.25 UM NI
	2-166011-1	RT CONTACT AREA 0.8 UM ALU FILL OVER 1.25 UM NI

HOUSING: GLASS FILLED POLYCARBONATE (GREY)  
CONTACTS: PHOSPHORBRONZE

11097-C-166011

CUSTOMER COPY FOR REFERENCE ONLY		
DR	DATE	© 1982 BY AMP-HOLLAND N.V. ALL RIGHTS RESERVED. AMP PRODUCTS COVERED BY PATENTS AND/OR PATENTS PENDING.
J. GRIBBELS	7-12-82	
DE	DATE	AMP - HOLLAND N.V. 's-Hertogenbosch
APP	DATE	MAP# 32 Pos. REMARKS AC. COMM. REC. TO DIN 41612, E32E-C14 WITH MODI. TERM. POINT POSITS