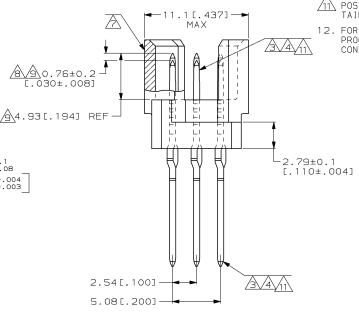
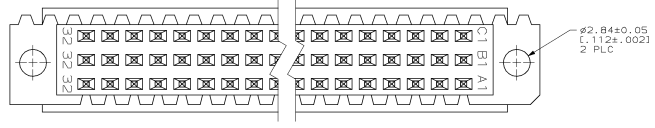
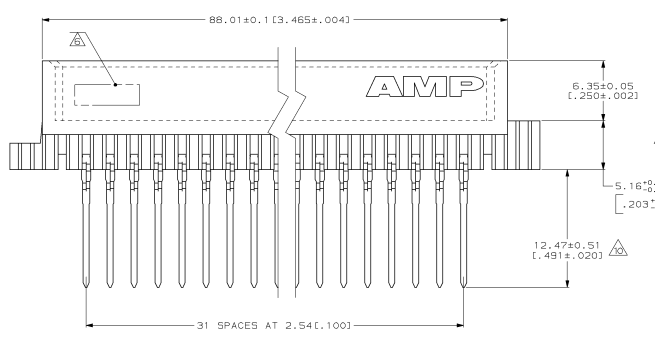
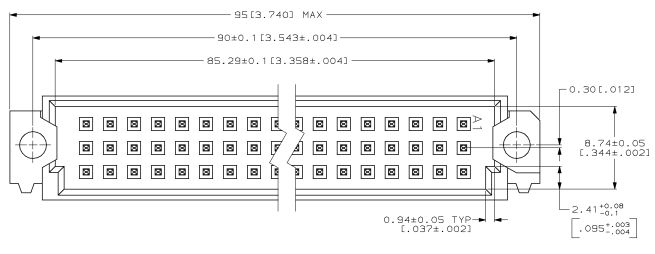
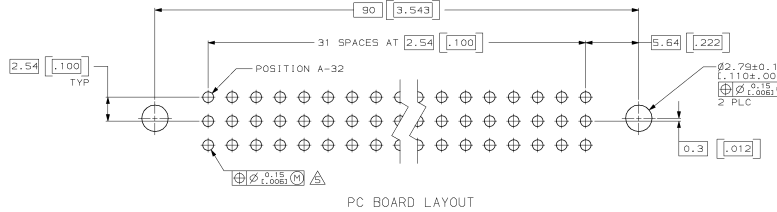


REV	AD	25	F	ZONE	LTR	DESCRIPTION	DATE	APP
				H	EC	0504-0087-96		CR



- △ HOUSING MATERIAL: GLASS-FILLED POLYESTER. COLOR: GRAY.
- △ POST MATERIAL: PHOSPHOR BRONZE.
- △ POST FINISH: DIN 41612 CLASS 3 IN CONTACT AREA. TIN-LEAD PLATE ON POSTS.
- △ POST FINISH: DIN 41612 CLASS 2 IN CONTACT AREA. TIN-LEAD PLATE ON POSTS.
- △ PC BOARD HOLES REQUIRED FOR ACTION PIN CONTACTS ARE 1.151 (.0453) DRILL DIAMETER PLATED THROUGH WITH 0.02-.0.06 (.001-.003) COPPER AND 0.008 (.0003) MINIMUM TIN-LEAD PLATING. FINISHED HOLE AFTER PLATING, 0.94-1.09 (.037-.043) DIAMETER.
- △ [PART NUMBER, DATE CODE] MARKED THIS APPROXIMATE AREA.
- △ MARKING ON THIS SIDE.
- △ FOR "MFBL" APPLICATIONS, A 2.36 (.093) MINIMUM THICK PC BOARD IS REQUIRED. PROGRAMMABLE SEATING TOOL 768216-2 MUST BE USED.
- △ TO BE 4.16 (.164) REF FOR LAST MAKE PINS AFTER SEATING. POST LENGTH DIFFERENCE BETWEEN SHORT AND LONG PINS TO BE 0.76±0.21 (.030±.008) AFTER SEATING.
- △ THIS DIMENSION WILL BE 13.23±0.51 (.521±.020) AFTER SEATING FOR PINS WITH 4.17 (.164) MATING POST.
- △ POST FINISH: DIN 41612 CLASS 2 IN CONTACT AREA AND LOWER 5.08 (.200) OF TAILS. GOLD FLASH ON REMAINDER.
- 12. FOR 1.57 (.062) THICK PC BOARD APPLICATIONS, USE SEATING TOOL 768211-2. PROGRAMMABLE SEATING TOOL 768216-2 WITH PUSH PINS FOR MAKE FIRST CONTACTS ONLY. CAN ALSO BE USED.



SUPERSEDED BY 536067-5

NOTES	POSITIONS LOADED	C	B	A	NO. OF LOADS	POSITION	ASSY PART NUMBER
△	1-32	X	X	X	96		1-536067-4
△	1-32	X	X	X	96		536067-8
△	1-32	X	X	X	96		536067-5

DO NOT SCALE PRINT. UNLESS SPECIFIED DIMENSIONS IN mm (INCHES) TOLERANCES ON + 1 PLG DEC + 0.13(.005) INCHES	DR L. BRINER 1/14/92	AMP INCORPORATED Harrisburg, PA 17105-3608	PART NO
	CHK D.C. RUBENDALL 1/15/92		
	APPR D.C. RUBENDALL 1/15/92		
MATERIAL HOUSING: △ POST: △	AMP INCORPORATED P.O. BOX 1000 HARRISBURG, PA 17105-3608		
FINISH -	APPLICATION SPEC -	PIN ASSEMBLY, EUROCARD, TYPE "R", MFBL OR FOR 1.57 (.062) PC BOARD	
WEIGHT -	SIZE 00779	DRAWING NO 536067	
	SCALE 5:1	SHEET 1 OF 1	

CUSTOMER DRAWING