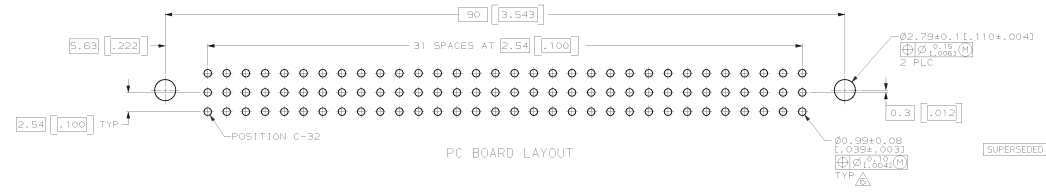
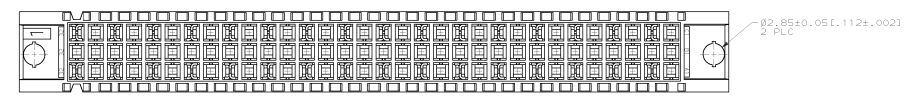
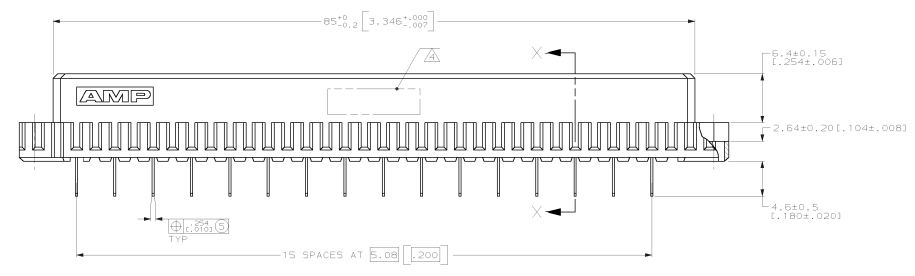
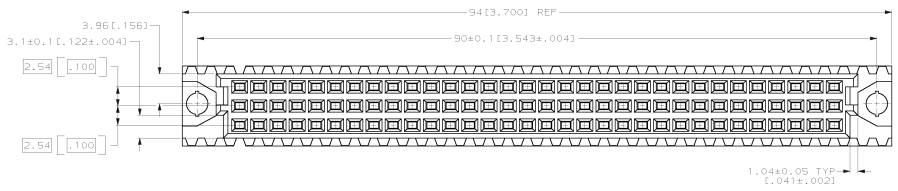
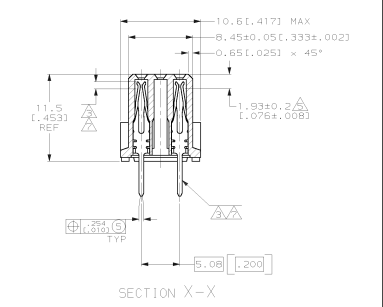


DRAWING MADE IN TRISED AMPLE PRODUCTION
 TRISED COMPANY IS UNPUBLISHED. RELEASED FOR PUBLICATION
 © COPYRIGHT 19 BY AMP INCORPORATED. ALL INTERNATIONAL RIGHTS RESERVED.

REV. NO.		DATE		DESCRIPTION		DATE	APP.
C	EC	0010-1455-95				7/29/90	CR
D	EC	0010-1484-95				8/17/90	CR
E	REV PER EC	0018-0367-00				10/06/11	CR



- ⚠ HOUSING MATERIAL: GLASS-FILLED POLYESTER, COLOR, GRAY.
- ⚠ CONTACT MATERIAL: PHOSPHOR BRONZE.
- ⚠ CONTACT FINISH: 0.00076(0.00030) GOLD IN CONTACT AREA, 0.00127(0.00050) NICKEL UNDERPLATE ALL OVER. TIN-LEAD ON POSTS.
- ⚠ PART NUMBER, DATE CODE IDENTIFICATION, CSA LOGO IN THIS APPROXIMATE AREA ON REVERSE SIDE.
- ⚠ POINT OF MEASUREMENT FOR GOLD.
- ⚠ RECOMMENDED HOLE SIZE FOR MANUAL APPLICATION OF CONNECTOR ONTO PC BOARD.
- ⚠ CONTACT FINISH: DIN 41612 CLASS 2 IN CONTACT AREA. TIN-LEAD ON POSTS.



SUPERSEDED BY E50463-5	2,4,6,8,10,12,14,16,18,20,22	X	-	X	32	E50463-5
	2,4,6,8,10,12,14,16,18,20,22	X	-	X	32	E50463-4

DO NOT SCALE PRINT. UNLESS SPECIFIED DIMENSIONS IN mm (INCHES).		DATE		AMP INCORPORATED Harrisburg, Pa. 17105	
DE	L. BRINER	3/13/90			
CHK	N. DRASHER	3/22/90			
APP	N. DRASHER	3/22/90			
APP	N. DRASHER	3/23/90			
MATERIAL	HSG				
FINISH	CONT				
APPLICATION SPEC					
SIZE	D	00779			650463
SCALE	A:1				SHEET 1 OF 1

CUSTOMER DRAWING