

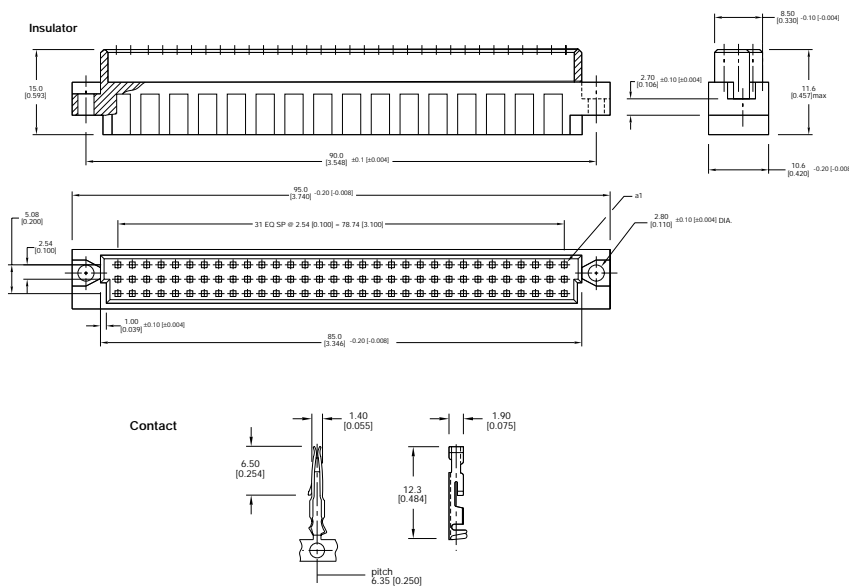
# Female Style C Crimp

Series 8464 – 3 rows (3 x 32)



| Contact Design | Number of Contacts | Loading Description                   | Part Number         |
|----------------|--------------------|---------------------------------------|---------------------|
| Crimp          | 96                 | Insulator without keying              | 20 8464 096 001 000 |
|                | 96                 | Insulator with keying                 | 22 8464 096 001 000 |
|                |                    | Contacts for 8464 on 10K reel         | 60 8464 0213 99 742 |
|                |                    | Loose contacts for 8464               | 60 8464 0213 00 742 |
| Tools          |                    | Hand tool (with insert)               | 06 8464 0101 00 000 |
|                |                    | Crimping machine including applicator | 06 7865 5200 00 000 |
|                |                    | Extraction tool                       | 06 8464 8101 00 000 |

## DIMENSIONS



Elco's 3-row, 96 contact position receptacle connector with crimp contacts follows the pattern of the DIN 41612 standard. The innovative contact principle assures reliable electrical connection even under extreme conditions.

The crimps are individually terminated and inserted into the housing. With the use of an extraction tool, the contact can be removed from the housing for inspection or repair.

Main applications are as an input/output connector on backpanels or rack frontside.

A complete tool program is available, from hand crimp to automatic crimping machines.

## TECHNICAL DATA

|                       |                       |
|-----------------------|-----------------------|
| Operating Current     | 1.5 amp max.          |
| Operation Voltage     | 300 V/AC/470 V/DC     |
| Contact Resistance    | ≤ 15Ω                 |
| Dielectric Resistance | ≥ 1012Ω               |
| Insulation Material   | Polyester 94 V-0 UL   |
| Contact Material      | Cu-alloy              |
| Plating               | Performance Class III |
| Crimp AWG Range       | 24 - 28               |
| Grid Spacing          | 0.100 (2.54)          |