

Male Style D

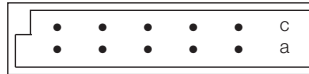
Series 8447 – 2 rows (2 x 16)



Contact Design and Termination Length	Number of Contacts	Loading Description	Part Number Performance classes according to DIN 41612	
			II	I
3.0 mm (Y) (0.6 x 0.6 mm) Right Angled Pitch 5.08	32	a + c fully loaded	10 8447 032 001 025	10 8447 032 001 049
3.0 mm (Y) (0.6 x 0.6 mm) Right Angled Pitch 2.54	32	a + c fully loaded	10 8447 032 002 025	10 8447 032 002 049

NB: Alternative Prefix Variations Available: 12, please refer to Page 10.
Additional Plating & Loading Variations: Please contact your local AVX sales office or distributor.

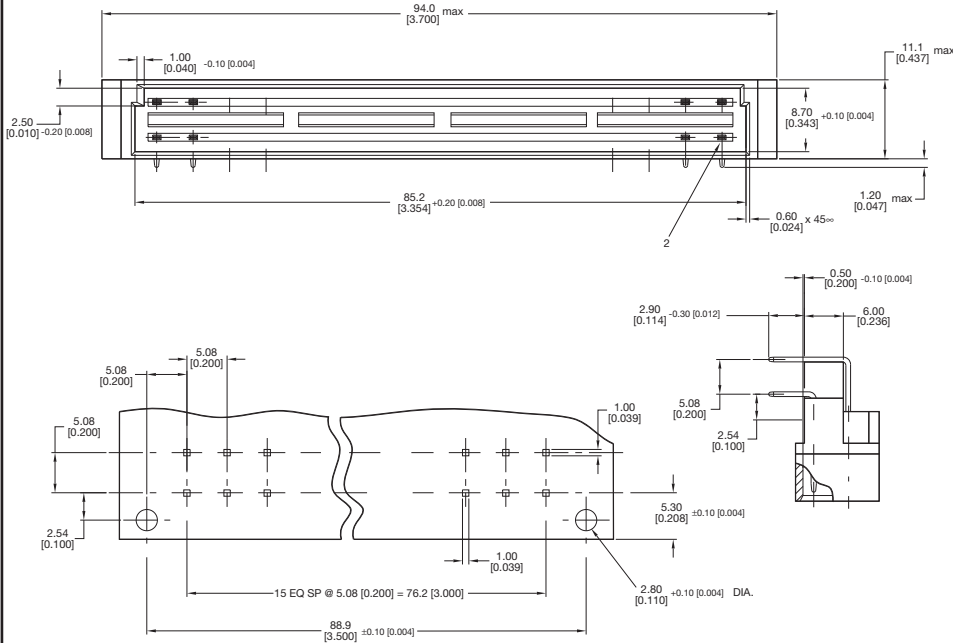
LOADING DESCRIPTION



32 contacts, rows a + c fully loaded

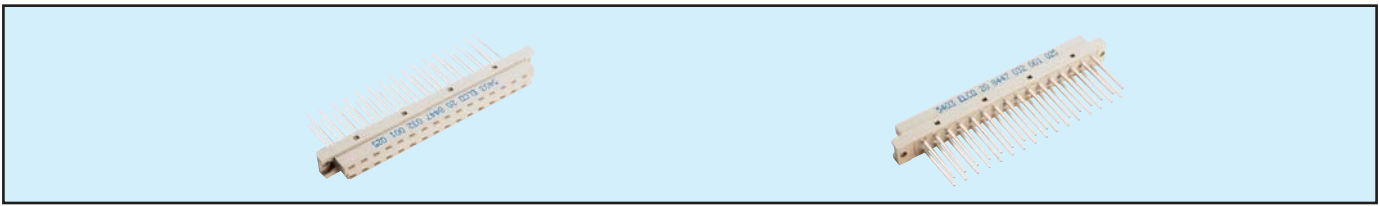
Ground pin not available

DIMENSIONS



Female Style D

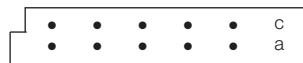
Series 8447 – 2 rows (2 x 16)



Contact Design and Termination Length	Number of Contacts	Loading Description	Part Number Performance classes according to DIN 41612	
			II	I
1 x 1 mm Post Profile 20.0 mm (Y) Straight	32	a + c fully loaded	20 8447 032 001 025	20 8447 032 001 049
1 x 1 mm Post Profile 9.0 mm (Y) Straight	32	a + c fully loaded	20 8447 032 002 025	20 8447 032 002 049
0.6 x 0.6 mm Post Profile 4.0 mm (Y) Straight	32	a + c fully loaded	20 8447 032 003 025	20 8447 032 003 049
0.6 x 1.28 mm Post Profile 4.5 mm (Y) Straight	32	a + c fully loaded	20 8447 032 006 025	20 8447 032 006 049

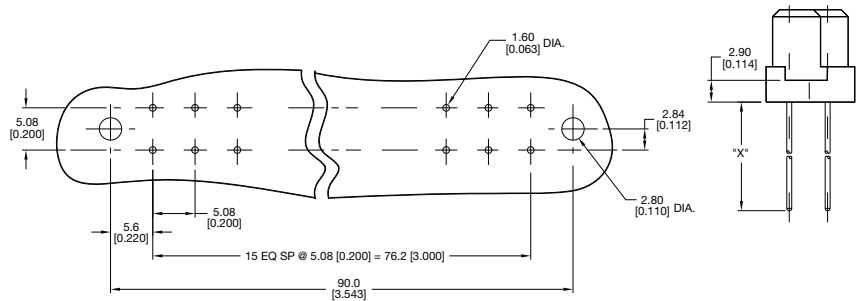
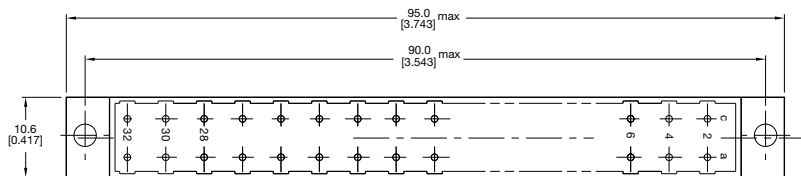
NB: Alternative Prefix Variations Available: 22, please refer to Page 10.
Additional Plating & Loading Variations: Please contact your local AVX sales office or distributor.

LOADING DESCRIPTION



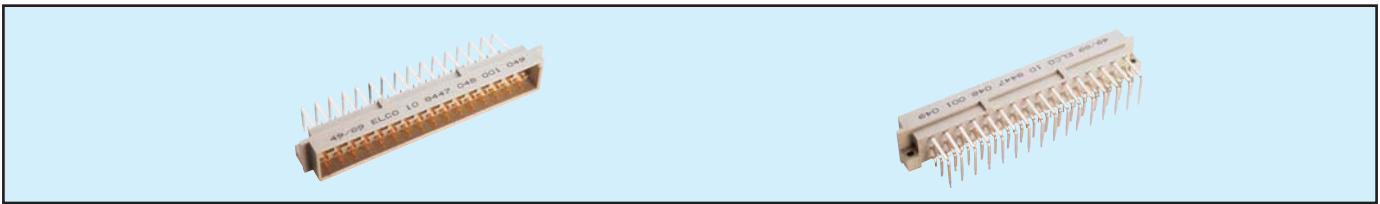
32 contacts, rows a + c fully loaded

DIMENSIONS



Male Style E

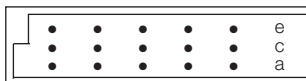
Series 8447 – 3 rows (3 x 16)



Contact Design and Termination Length	Number of Contacts	Loading Description	Part Number Performance classes according to DIN 41612	
			II	I
3.0 mm (Y) (0.6 x 0.6 mm) Right Angled Pitch 5.08	48	a + c + e fully loaded	10 8447 048 001 025	10 8447 048 001 049
3.0 mm (Y) (0.6 x 0.6 mm) Right Angled Pitch 2.54	48	a + c + e fully loaded	10 8447 048 002 025	10 8447 048 002 049

NB: Alternative Prefix Variations Available: 12, please refer to Page 10.
Additional Plating & Loading Variations: Please contact your local AVX sales office or distributor.

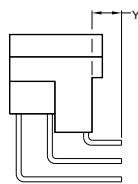
LOADING DESCRIPTION



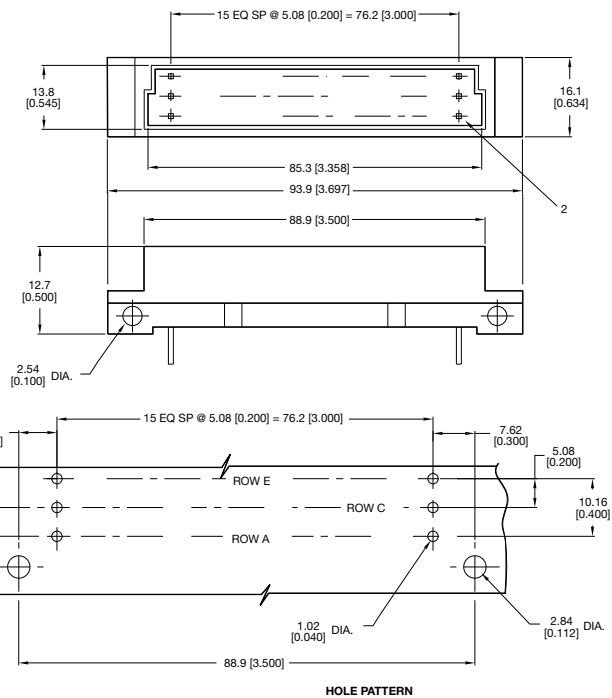
48 contacts, rows a + c + e fully loaded

Ground pin not available

DIMENSIONS

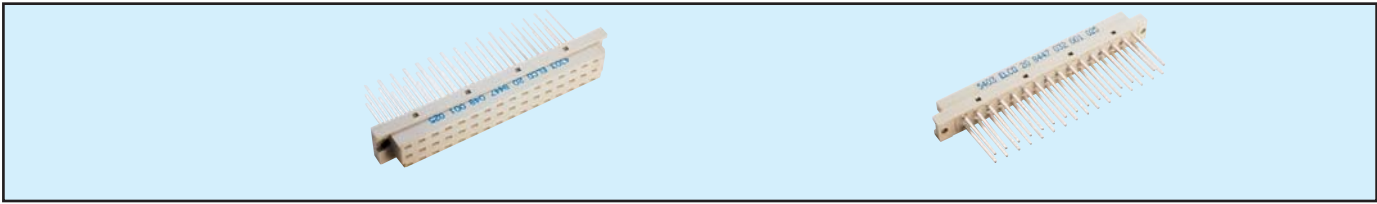


For Y dimension see contact design



Female Style E

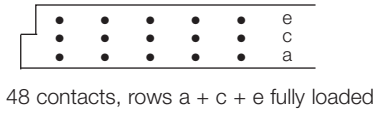
Series 8447 – 3 rows (3 x 16)



Contact Design and Termination Length	Number of Contacts	Loading Description	Part Number Performance classes according to DIN 41612	
			II	I
1 x 1 mm Post Profile 20.0 mm (Y) Straight	48	a + c + e fully loaded	20 8447 048 001 025	20 8447 048 001 049
1 x 1 mm Post Profile 9.0 mm (Y) Straight	48	a + c + e fully loaded	20 8447 048 002 025	20 8447 048 002 049
0.6 x 0.6 mm Post Profile 4.0 mm (Y) Straight	48	a + c + e fully loaded	20 8447 048 003 025	20 8447 048 003 049
0.6 x 1.28 mm Post Profile 4.5 mm (Y) Straight	48	a + c + e fully loaded	20 8447 048 006 025	20 8447 048 006 049

NB: Alternative Prefix Variations Available: 22, please refer to Page 10.
Additional Plating & Loading Variations: Please contact your local AVX sales office or distributor.

LOADING DESCRIPTION



DIMENSIONS

