



## GENERAL DESCRIPTION

An I/O interconnect system designed for portable equipment.

AVX offers this plug and socket reduced size system as a standard product. The fixed SMT socket is designed to be mounted on a PCB and housed within a portable device. The plug is designed for cable termination with options of single and double sided contacts and customizing the overmold cover or parts can be supplied as connector only for sub contract termination. The socket connector houses 16 contacts in two rows on 1.25mm pitch with a rating of 1 amp per contact. Both connectors are RoHS compliant.

## APPLICATIONS

Suitable applications include:

- Cellular Phones
- Handheld Devices
- Industrial Modules
- Medical Electronics

## KEY FEATURES AND BENEFITS

- No latching is required due to the click design of the contacts.
- Optional customization of the overmold cover.
- Options of single row (8 way) or dual row (16 way) plug connector.
- Compact size to optimize PCB real estate.
- Metal outer cover provides integrated PCB location and solder tab.
- Positive alignment and orientation of the plug and socket.
- 5K mating cycles and 1 amp rated.

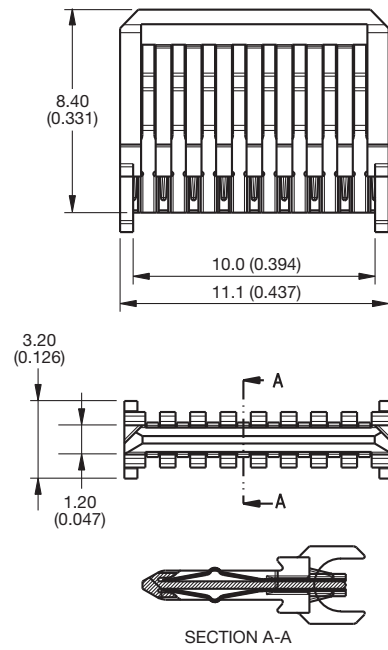
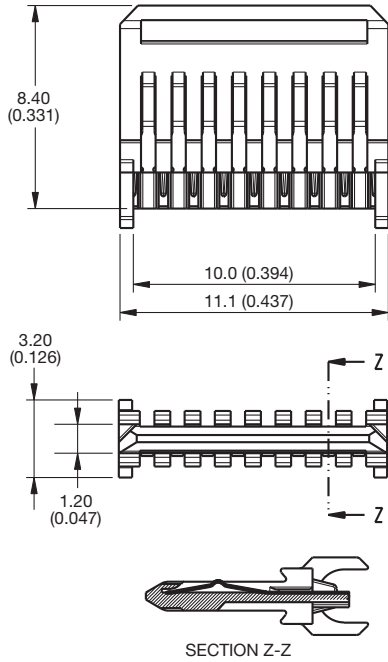


# 9257 Reduced Size I/O Connector

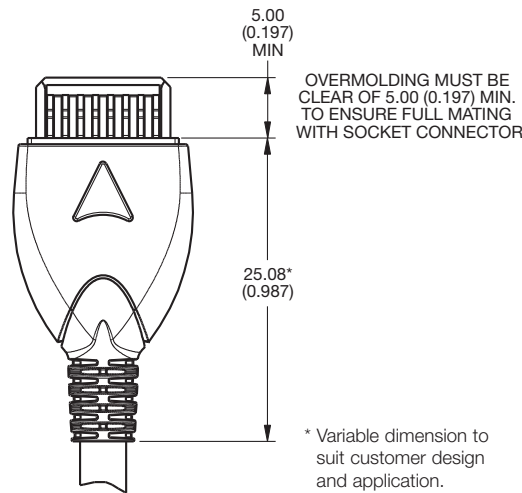


## Single Sided 8 Way I/O Plug Connector

## Dual Sided 16 Way I/O Plug Connector



## Suggested Overmolding for Plug Connector



## HOW TO ORDER

**10**  
Prefix  
10 = Plug Connector

**9257**  
Series

**016**  
No of Ways  
016 = 16 way dual sided  
008 = 8 way single sided

**001**  
Contact  
001 = Solder Bucket

**003**  
Plating Option  
003 = 0.8µm Selective Gold,  
Tin Tail

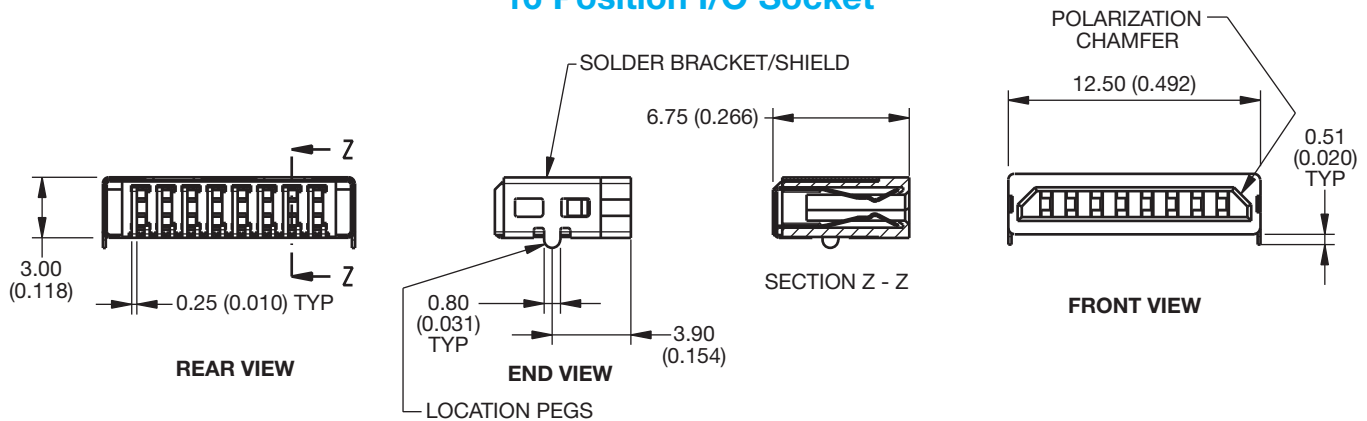
- Notes:
1. All dimensions are for reference only unless toleranced.
  2. For full product specification refer to AVX spec 201-01-089.
  3. Parts packed in tube with 50 parts per tube.



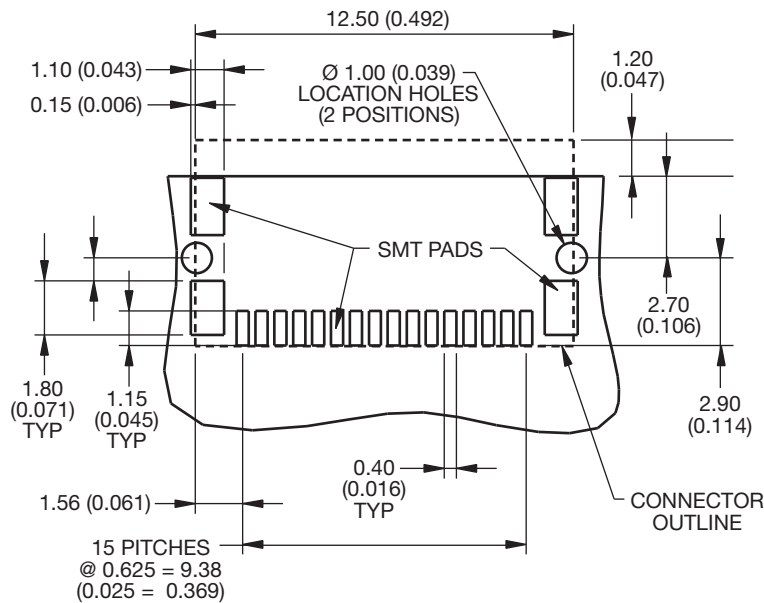
# 9257 Reduced Size I/O Connector



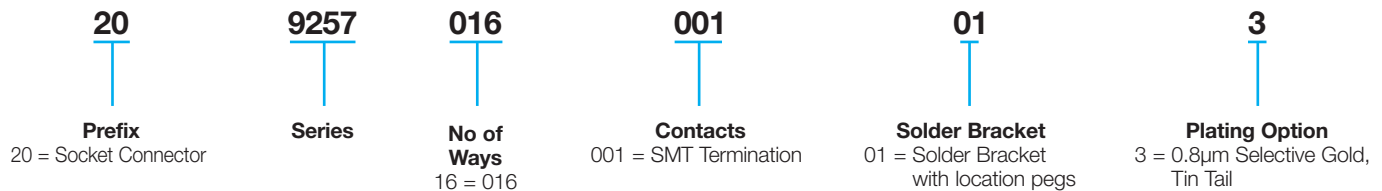
## 16 Position I/O Socket



## PCB Layout



## HOW TO ORDER



Packing Details	
Reel Qty.	1100
Pack Qty.	5500

- Notes:
- 16 Way I/O Socket.
  - For full product specification refer to AVX spec 201-01-089.
  - General tolerance  $\pm 0.20$  (0.008) unless otherwise stated.
  - SMT feet within 0.13 (0.005) coplanarity.

