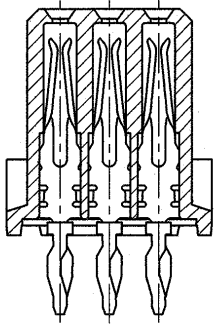


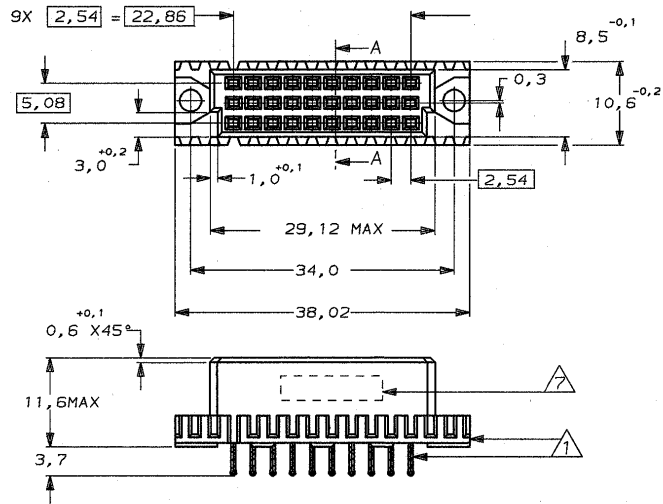
P.C.B. HOLE DIM. ACTION PIN	
DRILLED HOLE	:1,15 ±0,025 mm
FIN. HOLE	:0,94 to 1,09 mm
AFTER REFLOW	:0,91 to 1,09 mm
Cu-thks	:0,025 to 0,075 mm
SnPb-thks	:0,004 to 0,010 mm

DO NOT SCALE
DIMENSIONS IN mm

METRIC



SECTION A-A



NOTES:

- 1 CONNECTOR MEETS THE REQUIREMENTS ACC. DIN 41612 ,PART 5.
- 2 MATERIAL CONTACT: PHOSPHORBRONZE. MATERIAL HOUSING: GLASSFILLED THERM. POLYESTER. COLOR: GREY
- 3 AT CONTACTAREA 1,25 μm GOLD OVER 1,25 μm NICKEL AT ACTION PIN AREA 1,25 μm TIN-LEAD (93/77).
- 4 AT CONTACTAREA 0,8 μm GOLD OVER 1,25 μm NICKEL . AT ACTION PIN AREA 1,25 μm TIN-LEAD (93/77).
- 5 CONTACT ARRANGEMENTS; AN
ASTERISK "X" DENOTES A CONTACT.
- 6 AT CONTACTAREA 0,4 μm GOLD OVER 1,25 μm NICKEL . AT ACTION PIN AREA 1,25 μm TIN LEAD (93/77).
- 7 CONNECTOR PRINTED WITH PARTNUMBER AND DATECODE ON OUTSIDE OF MATING AREA AT SIDE OF ROW c.
- 8 FOR P.C. BOARDS 1,6mm OR THICKER

c	b	a	5
X	X	X	1
X	X	X	2
X	X	X	3
X	X	X	4
X	X	X	5
X	X	X	6
X	X	X	7
X	X	X	8
X	X	X	9
X	X	X	10

FINISH	MATERIAL	PARTNUMBER
6	2	216215-8
4	2	216215-4
3	2	216215-1

CUSTOMER DRAWING				FOR REFERENCE ONLY WILL NOT BE UPDATED	
© COPYRIGHT 19- BY AMP-HOLLAND B.V. ALL INTERNATIONAL RIGHTS RESERVED. AMP PRODUCTS MAY BE COVERED BY U.S. AND FOREIGN AND/OR PATENTS PENDING.					
THIS DRAWING IS UNPUBLISHED RELEASED FOR PUBLICATION					
NAME		AMP-HOLLAND B.V. 's-Hertogenbosch, The NetherLands.			
D	H-8071	LvdH	RvL	1 JUN '91	30 POS. C/3 FEMALE B.T.B. CONN. (B)
L.T.R. REVISION RECORD		DR. CHK. DATE		ACC. DIN 41612 WITH ACTION-PIN	
DR. S. MEEUWSEN	CHK. J. V. GRUNSVEN	APP. J. VAN SOEST	DWG. No.		REV. LTR. SHEET
DATE: 02 MAR '89	DATE: 06 MAR '89	DATE: 4. 11. 91	C-216215	D	1 OF 1