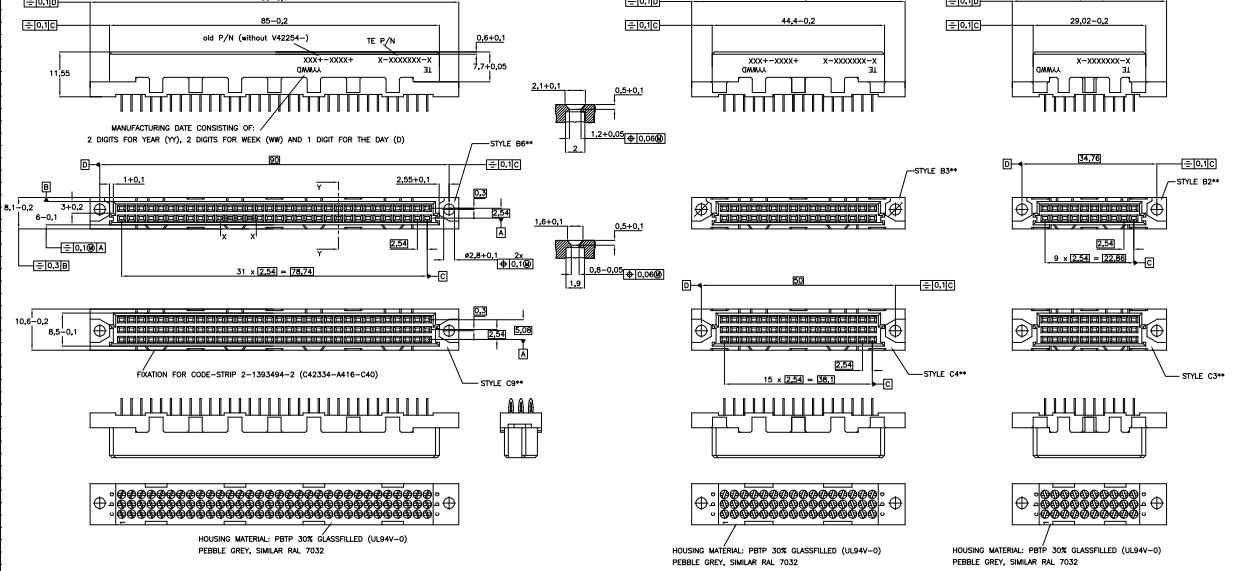
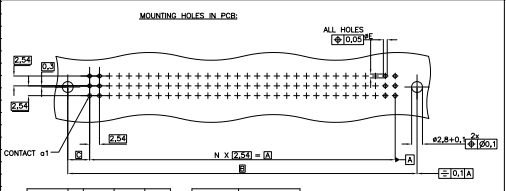
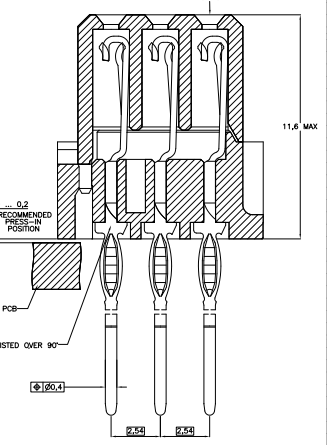
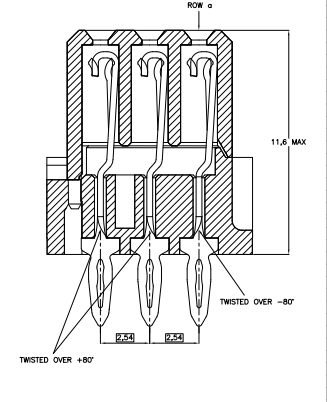


THIS DRAWING IS UNPUBLISHED
 NOTED FOR INFORMATION
 ALL INFORMATION MUST BE KEPT
 CONFIDENTIAL



REV	DATE	DESCRIPTION	BY	CHK
03	EDR-08-012253		DR	AW
04	EDR-08-012252		DR	AW
05	EDR-10-005555		DR	AW



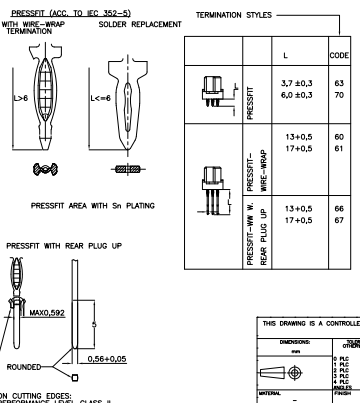
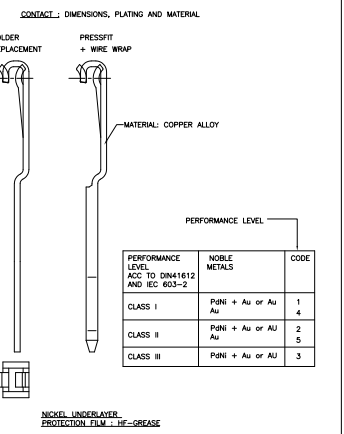
TYPE	N	A	B	C
B	31	78,74	90	5,63
B/2	15	38,16	50	5,95
B/3	9	22,86	34,76	5,95

1) PLATED-THROUGH HOLE :
 DRILLED HOLE = 1,15 mm
 CU MIN 25 µm
 SnPb = 5...15 µm

CODE FOR PERFORMANCE LEVEL

CODE FOR TERMINATION STYLE

STYLE, NO. OF CONTACTS AND CONTACT ASSIGNMENT SEE SHEET 2



ALL FEMALE CONNECTORS CAN BE PRESSED-IN WITH A FLAT STAMP (OVER THE CONNECTOR HOUSING)

THIS DRAWING IS A CONTROLLED DOCUMENT.		DATE	BY	CHK
DATE	BY	CHK	DATE	BY
REVISIONS	DESCRIPTION	DATE	BY	CHK
03	EDR-08-012253		DR	AW
04	EDR-08-012252		DR	AW
05	EDR-10-005555		DR	AW

OLD PART NUMBER	TE PIN	STYLE & NUMBER OF POSITIONS TERMINATION POSTS	LOADED ROWS	PERFORMANCE LEVEL BOARD LOCKS
V42254-P2163-C483	1393637-6	C48 3,7mm PRESS-IN TERMINALS	ROW A+C , EVERY PITCH	1 NO
V42254-P2163-C960	1393637-7	C96 3,7mm PRESS-IN TERMINALS	EVERY ROW , EVERY PITCH	1 NO OBSOLETE
V42254-P2163-C963	1393637-8	C96 3,7mm PRESS-IN TERMINALS	ROW A+C , EVERY PITCH	1 NO OBSOLETE
V42254-P2167-C960	1-1393637-0	C96 17mm PRESS-IN TERMINALS WITH WIRE-WRAP AND INSERTION AREA LEVEL 2	EVERY ROW , EVERY PITCH	1 NO SUPERSEDED BY 7-1393637-3
V42254-P2170-C960	1-1393637-2	C96 6,0mm PRESS-IN TERMINALS	EVERY ROW , EVERY PITCH	1 NO OBSOLETE
V42254-P2260-B640	1-1393637-9	B64 13mm PRESS-IN TERMINALS WITH WIRE-WRAP	EVERY ROW , EVERY PITCH	2 NO OBSOLETE
V42254-P2260-B640N	2-1393637-0	B64 13mm PRESS-IN TERMINALS WITH WIRE-WRAP	EVERY ROW , EVERY PITCH	2 NO OBSOLETE
V42254-P2260-C480	2-1393637-2	C48 13mm PRESS-IN TERMINALS WITH WIRE-WRAP	EVERY ROW , EVERY PITCH	2 NO OBSOLETE
V42254-P2260-C960	2-1393637-3	C96 13mm PRESS-IN TERMINALS WITH WIRE-WRAP	EVERY ROW , EVERY PITCH	2 NO OBSOLETE
V42254-P2260-C962	2-1393637-5	C96 13mm PRESS-IN TERMINALS WITH WIRE-WRAP	ROW A+B , EVERY PITCH	2 NO OBSOLETE
V42254-P2260-C963	2-1393637-6	C96 13mm PRESS-IN TERMINALS WITH WIRE-WRAP	ROW A+C , EVERY PITCH	2 NO OBSOLETE
V42254-P2261-B640	2-1393637-8	B64 17mm PRESS-IN TERMINALS WITH WIRE-WRAP	EVERY ROW , EVERY PITCH	2 NO OBSOLETE
V42254-P2261-C960	2-1393637-9	C96 17mm PRESS-IN TERMINALS WITH WIRE-WRAP	EVERY ROW , EVERY PITCH	2 NO
V42254-P2261-C963	3-1393637-0	C96 17mm PRESS-IN TERMINALS WITH WIRE-WRAP	ROW A+C , EVERY PITCH	2 NO OBSOLETE
V42254-P2263-B320	3-1393637-3	B32 3,7mm PRESS-IN TERMINALS	EVERY ROW , EVERY PITCH	2 NO OBSOLETE
V42254-P2263-B325	3-1393637-4	B32 3,7mm PRESS-IN TERMINALS	EVERY ROW , EVERY EVEN PITCH	2 NO OBSOLETE
V42254-P2263-B325N	3-1393637-5	B32 3,7mm PRESS-IN TERMINALS	EVERY ROW , EVERY EVEN PITCH	2 NO OBSOLETE
V42254-P2263-B640	3-1393637-6	B64 3,7mm PRESS-IN TERMINALS	EVERY ROW , EVERY PITCH	2 NO OBSOLETE
V42254-P2263-C300	4-1393637-0	C30 3,7mm PRESS-IN TERMINALS	EVERY ROW , EVERY PITCH	2 NO OBSOLETE
V42254-P2263-C303	4-1393637-2	C30 3,7mm PRESS-IN TERMINALS	ROW A+C , EVERY PITCH	2 NO OBSOLETE
V42254-P2263-C480	4-1393637-4	C48 3,7mm PRESS-IN TERMINALS	EVERY ROW , EVERY PITCH	2 NO
V42254-P2263-C480N	4-1393637-5	C48 3,7mm PRESS-IN TERMINALS	EVERY ROW , EVERY PITCH	2 NO OBSOLETE
V42254-P2263-C483	2-1392009-7	C48 3,7mm PRESS-IN TERMINALS	ROW A+C , EVERY PITCH	2 NO OBSOLETE
V42254-P2263-C960	4-1393637-6	C96 3,7mm PRESS-IN TERMINALS	EVERY ROW , EVERY PITCH	2 NO
V42254-P2263-C963	4-1393637-9	C96 3,7mm PRESS-IN TERMINALS	ROW A+C , EVERY PITCH	2 NO OBSOLETE
V42254-P2263-C965	5-1393637-2	C96 3,7mm PRESS-IN TERMINALS	EVERY ROW , EVERY EVEN PITCH	2 NO OBSOLETE
V42254-P2263-C968	5-1393637-3	C96 3,7mm PRESS-IN TERMINALS	ROW A+C , EVERY EVEN PITCH	2 NO OBSOLETE
V42254-P2266-B320	6-1393637-2	B32 13mm PRESS-IN TERMINALS WITH WIRE-WRAP AND INSERTION AREA LEVEL 2	EVERY ROW , EVERY PITCH	2 NO OBSOLETE
V42254-P2266-B640	6-1393637-3	B64 13mm PRESS-IN TERMINALS WITH WIRE-WRAP AND INSERTION AREA LEVEL 2	EVERY ROW , EVERY PITCH	2 NO OBSOLETE
V42254-P2266-C480	6-1393637-5	C48 13mm PRESS-IN TERMINALS WITH WIRE-WRAP AND INSERTION AREA LEVEL 2	EVERY ROW , EVERY PITCH	2 NO OBSOLETE
V42254-P2266-C960	6-1393637-6	C96 13mm PRESS-IN TERMINALS WITH WIRE-WRAP AND INSERTION AREA LEVEL 2	EVERY ROW , EVERY PITCH	2 NO OBSOLETE
V42254-P2266-C963	6-1393637-9	C96 13mm PRESS-IN TERMINALS WITH WIRE-WRAP AND INSERTION AREA LEVEL 2	ROW A+C , EVERY PITCH	2 NO OBSOLETE
V42254-P2266-C965	7-1393637-0	C96 13mm PRESS-IN TERMINALS WITH WIRE-WRAP AND INSERTION AREA LEVEL 2	EVERY ROW , EVERY EVEN PITCH	2 NO OBSOLETE
V42254-P2266-C968	7-1393637-1	C96 13mm PRESS-IN TERMINALS WITH WIRE-WRAP AND INSERTION AREA LEVEL 2	ROW A+C , EVERY EVEN PITCH	2 NO OBSOLETE
V42254-P2267-C960	7-1393637-3	C96 17mm PRESS-IN TERMINALS WITH WIRE-WRAP AND INSERTION AREA LEVEL 2	EVERY ROW , EVERY PITCH	2 NO
V42254-P2267-C963	7-1393637-4	C96 17mm PRESS-IN TERMINALS WITH WIRE-WRAP AND INSERTION AREA LEVEL 2	ROW A+C , EVERY PITCH	2 NO OBSOLETE
V42254-P2270-C483	2-1392009-0	C48 6,0mm PRESS-IN TERMINALS	ROW A+C , EVERY PITCH	2 NO OBSOLETE
V42254-P2270-C960	8-1393637-0	C96 6,0mm PRESS-IN TERMINALS	EVERY ROW , EVERY PITCH	2 NO OBSOLETE
V42254-P2270-C960N	8-1393637-2	C96 6,0mm PRESS-IN TERMINALS	EVERY ROW , EVERY PITCH	2 NO OBSOLETE
V42254-P2270-C963	8-1393637-4	C96 6,0mm PRESS-IN TERMINALS	ROW A+C , EVERY PITCH	2 NO OBSOLETE
V42254-P2270-C963N	8-1393637-6	C96 6,0mm PRESS-IN TERMINALS	ROW A+C , EVERY PITCH	2 NO OBSOLETE
V42254-P2270-C968	8-1393637-7	C96 6,0mm PRESS-IN TERMINALS	ROW A+C , EVERY EVEN PITCH	2 NO OBSOLETE
V42254-P2470-C960	1-1393638-2	C96 6,0mm PRESS-IN TERMINALS	EVERY ROW , EVERY PITCH	1 NO OBSOLETE
V42254-P2470-C963	1-1393638-3	C96 6,0mm PRESS-IN TERMINALS	ROW A+C , EVERY PITCH	1 NO OBSOLETE

1) CONNECTORS WITHOUT MARKING, IN TYCO ELECTRONICS PACKAGING. ACTIVE PART NUMBERS. CONTACT TYCO ELECTRONICS FOR OTHER CONFIGURATION AVAILABILITY

THIS DRAWING IS A CONTROLLED DOCUMENT.		REV. CONTROL		TYCO ELECTRONICS CORPORATION	
DRAWING NO.		REV. NO.		TYCO ELECTRONICS CORPORATION	
DATE		DATE		TYCO ELECTRONICS CORPORATION	
DESCRIPTION		DESCRIPTION		TYCO ELECTRONICS CORPORATION	
DRAWN BY		CHECKED BY		TYCO ELECTRONICS CORPORATION	
DESIGNED BY		APPROVED BY		TYCO ELECTRONICS CORPORATION	
DATE		DATE		TYCO ELECTRONICS CORPORATION	
SCALE		SCALE		TYCO ELECTRONICS CORPORATION	
MATERIAL		MATERIAL		TYCO ELECTRONICS CORPORATION	
QUANTITY		QUANTITY		TYCO ELECTRONICS CORPORATION	
PRICE		PRICE		TYCO ELECTRONICS CORPORATION	