

# Female Style 1/2 M Press-Fit



## Series 8484

We have Male Style 1/2 M solder, too!

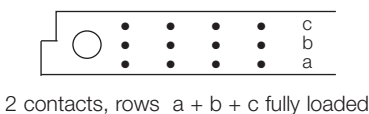
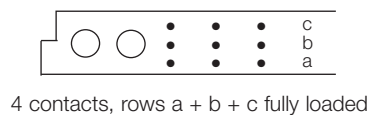


Contact Design and Termination Length	Number of Cavities for Signal Contacts	Number of Cavities for Special Contacts	Loading Description	Part Number Performance classes according to DIN 41612	
				II	I
5.3 mm (Y) Straight	12 (3 x 4)	4	a + b + c fully loaded	20 8484 012 001 025	20 8484 012 001 049
	30 (3 x 10)	2	a + b + c fully loaded	20 8484 030 001 025	20 8484 030 001 049
9.3 mm (Y) Straight	12 (3 x 4)	4	a + b + c fully loaded	20 8484 012 002 025	20 8484 012 002 049
	30 (3 x 10)	2	a + b + c fully loaded	20 8484 030 002 025	20 8484 030 002 049
16.2 mm (Y) Straight	12 (3 x 4)	4	a + b + c fully loaded	20 8484 012 003 025	20 8484 012 003 049
	30 (3 x 10)	2	a + b + c fully loaded	20 8484 030 003 025	20 8484 030 003 049
23.2 mm (Y) Straight	12 (3 x 4)	4	a + b + c fully loaded	20 8484 012 004 025	20 8484 012 004 049
	30 (3 x 10)	2	a + b + c fully loaded	20 8484 030 004 025	20 8484 030 004 049
13.2 mm (Y) Straight	12 (3 x 4)	4	a + b + c fully loaded	20 8484 012 005 025	20 8484 012 005 049
	30 (3 x 10)	2	a + b + c fully loaded	20 8484 030 005 025	20 8484 030 005 049
18.2 mm (Y) Straight	12 (3 x 4)	4	a + b + c fully loaded	20 8484 012 008 025	20 8484 012 008 049
	30 (3 x 10)	2	a + b + c fully loaded	20 8484 030 008 025	20 8484 030 008 049
12.0 mm (Y) Straight	12 (3 x 4)	4	a + b + c fully loaded	20 8484 012 009 025	20 8484 012 009 049
	30 (3 x 10)	2	a + b + c fully loaded	20 8484 030 009 025	20 8484 030 009 049
20.3 mm (Y) Straight	12 (3 x 4)	4	a + b + c fully loaded	20 8484 012 010 025	20 8484 012 010 049
	30 (3 x 10)	2	a + b + c fully loaded	20 8484 030 010 025	20 8484 030 010 049
Special storch leg 18.7 mm (Y) Straight	12 (3 x 4)	4	a + b + c fully loaded	20 8484 012 011 025	20 8484 012 011 049
	30 (3 x 10)	2	a + b + c fully loaded	20 8484 030 011 025	20 8484 030 011 049
17.0 mm (Y) Straight	12 (3 x 4)	4	a + b + c fully loaded	20 8484 012 012 025	20 8484 012 012 049
	30 (3 x 10)	2	a + b + c fully loaded	20 8484 030 012 025	20 8484 030 012 049

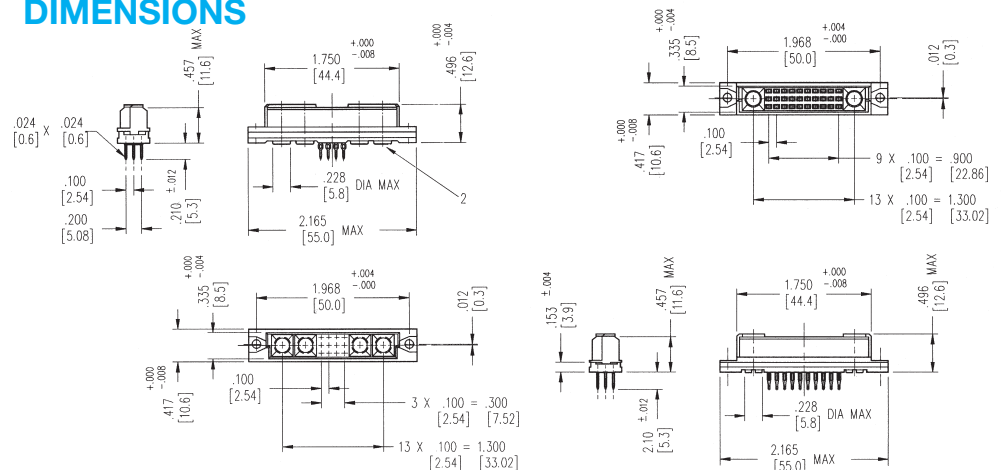
NB: Additional Plating & Loading Variations: Please contact your local AVX sales office or distributor.

Installed using Flat Rock method (see page 66)

### LOADING DESCRIPTION



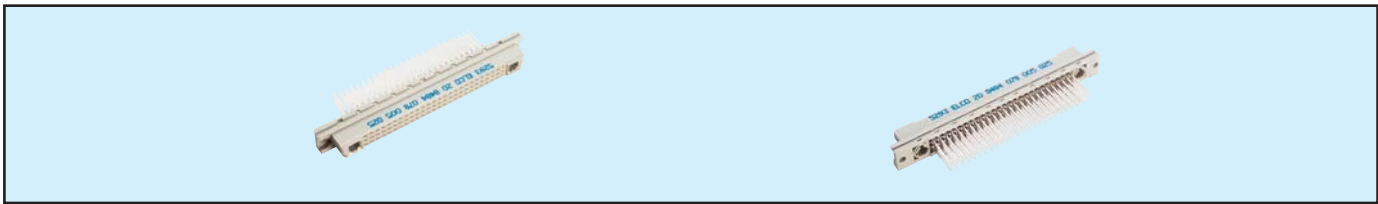
### DIMENSIONS



# Female Style M Press-Fit



## Series 8484



Contact Design and Termination Length	Number of Cavities for Signal Contacts	Number of Cavities for Special Contacts	Loading Description	Part Number Performance classes according to DIN 41612		
				II	I	
5.3 mm (Y) Straight		6 (3 x 2)	10	a + b + c fully loaded	20 8484 006 001 025	20 8484 006 001 049
		24 (3 x 8)	8	a + b + c fully loaded	20 8484 024 001 025	20 8484 024 001 049
		42 (3 x 14)	6	a + b + c fully loaded	20 8484 042 001 025	20 8484 042 001 049
		60 (3 x 20)	4	a + b + c fully loaded	20 8484 060 001 025	20 8484 060 001 049
		78 (3 x 28)	2	a + b + c fully loaded	20 8484 078 001 025	20 8484 078 001 049
9.3 mm (Y) Straight		6 (3 x 2)	10	a + b + c fully loaded	20 8484 006 002 025	20 8484 006 002 049
		24 (3 x 8)	8	a + b + c fully loaded	20 8484 024 002 025	20 8484 024 002 049
		42 (3 x 14)	6	a + b + c fully loaded	20 8484 042 002 025	20 8484 042 002 049
		60 (3 x 20)	4	a + b + c fully loaded	20 8484 060 002 025	20 8484 060 002 049
		78 (3 x 28)	2	a + b + c fully loaded	20 8484 078 002 025	20 8484 078 002 049
16.2 mm (Y) Straight		6 (3 x 2)	10	a + b + c fully loaded	20 8484 006 003 025	20 8484 006 003 049
		24 (3 x 8)	8	a + b + c fully loaded	20 8484 024 003 025	20 8484 024 003 049
		42 (3 x 14)	6	a + b + c fully loaded	20 8484 042 003 025	20 8484 042 003 049
		60 (3 x 20)	4	a + b + c fully loaded	20 8484 060 003 025	20 8484 060 003 049
		78 (3 x 28)	2	a + b + c fully loaded	20 8484 078 003 025	20 8484 078 003 049
23.2 mm (Y) Straight		6 (3 x 2)	10	a + b + c fully loaded	20 8484 006 004 025	20 8484 006 004 049
		24 (3 x 8)	8	a + b + c fully loaded	20 8484 024 004 025	20 8484 024 004 049
		42 (3 x 14)	6	a + b + c fully loaded	20 8484 042 004 025	20 8484 042 004 049
		60 (3 x 20)	4	a + b + c fully loaded	20 8484 060 004 025	20 8484 060 004 049
		78 (3 x 28)	2	a + b + c fully loaded	20 8484 078 004 025	20 8484 078 004 049
13.2 mm (Y) Straight		6 (3 x 2)	10	a + b + c fully loaded	20 8484 006 005 025	20 8484 006 005 049
		24 (3 x 8)	8	a + b + c fully loaded	20 8484 024 005 025	20 8484 024 005 049
		42 (3 x 14)	6	a + b + c fully loaded	20 8484 042 005 025	20 8484 042 005 049
		60 (3 x 20)	4	a + b + c fully loaded	20 8484 060 005 025	20 8484 060 005 049
		78 (3 x 28)	2	a + b + c fully loaded	20 8484 078 005 025	20 8484 078 005 049
18.2 mm (Y) Straight		6 (3 x 2)	10	a + b + c fully loaded	20 8484 006 008 025	20 8484 006 008 049
		24 (3 x 8)	8	a + b + c fully loaded	20 8484 024 008 025	20 8484 024 008 049
		42 (3 x 14)	6	a + b + c fully loaded	20 8484 042 008 025	20 8484 042 008 049
		60 (3 x 20)	4	a + b + c fully loaded	20 8484 060 008 025	20 8484 060 008 049
		78 (3 x 28)	2	a + b + c fully loaded	20 8484 078 008 025	20 8484 078 008 049
12.0 mm (Y) Straight		6 (3 x 2)	10	a + b + c fully loaded	20 8484 006 009 025	20 8484 006 009 049
		24 (3 x 8)	8	a + b + c fully loaded	20 8484 024 009 025	20 8484 024 009 049
		42 (3 x 14)	6	a + b + c fully loaded	20 8484 042 009 025	20 8484 042 009 049
		60 (3 x 20)	4	a + b + c fully loaded	20 8484 060 009 025	20 8484 060 009 049
		78 (3 x 28)	2	a + b + c fully loaded	20 8484 078 009 025	20 8484 078 009 049
20.3 mm (Y) Straight		6 (3 x 2)	10	a + b + c fully loaded	20 8484 006 010 025	20 8484 006 010 049
		24 (3 x 8)	8	a + b + c fully loaded	20 8484 024 010 025	20 8484 024 010 049
		42 (3 x 14)	6	a + b + c fully loaded	20 8484 042 010 025	20 8484 042 010 049
		60 (3 x 20)	4	a + b + c fully loaded	20 8484 060 010 025	20 8484 060 010 049
		78 (3 x 28)	2	a + b + c fully loaded	20 8484 078 010 025	20 8484 078 010 049
17.0 mm (Y) Straight		6 (3 x 2)	10	a + b + c fully loaded	20 8484 006 012 025	20 8484 006 012 049
		24 (3 x 8)	8	a + b + c fully loaded	20 8484 024 012 025	20 8484 024 012 049
		42 (3 x 14)	6	a + b + c fully loaded	20 8484 042 012 025	20 8484 042 012 049
		60 (3 x 20)	4	a + b + c fully loaded	20 8484 060 012 025	20 8484 060 012 049
		78 (3 x 28)	2	a + b + c fully loaded	20 8484 078 012 025	20 8484 078 012 049

NB: Additional Plating & Loading Variations: Please contact your local AVX sales office or distributor.

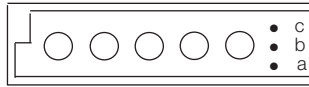
Installed using Flat Rock method (see page 66)

# Female Style M Press-Fit



## Series 8484

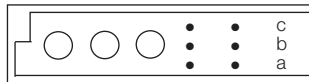
### LOADING DESCRIPTION



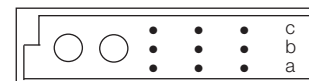
10 contacts, rows a + b + c fully loaded



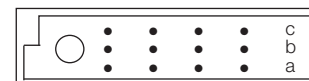
8 contacts, rows a + b + c fully loaded



6 contacts, rows a + b + c fully loaded

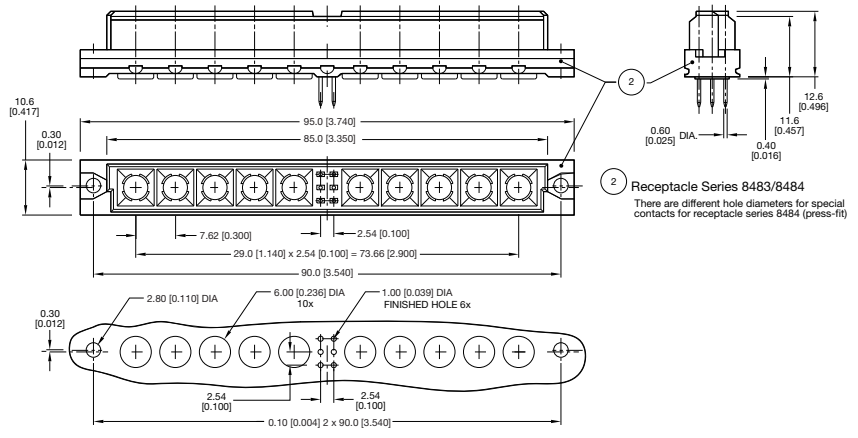


4 contacts, rows a + b + c fully loaded



2 contacts, rows a + b + c fully loaded

### DIMENSIONS



CONTACT ARRANGEMENT		max pin counts
variations receptacle (mating side)		
	91 28 25 22 19 17 16 14 11 8 5 2	
a		78+ max 2 special contacts
b		60+ max 4 special contacts
c		42+ max 6 special contacts
a		24+ max 8 special contacts
b		6+ max 10 special contacts
c		6+ max 10 special contacts