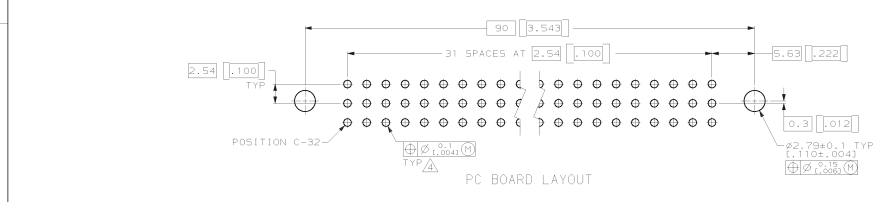
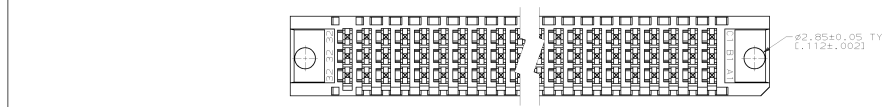
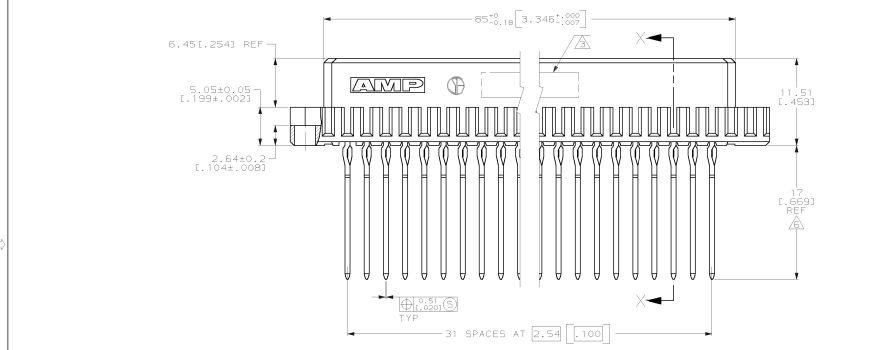
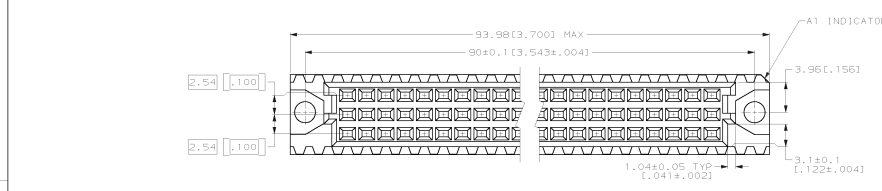
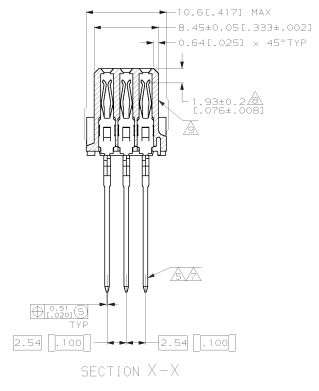


REV	DATE	BY	CHK	APP	DESCRIPTION	DATE	APP
D	DRAWN						
A	EC 0010-1152-98						
B	REVISED PER 0503-0580-97						
C	PER EC 0620-0147-98				T.S.	6-4-98	CR
D	REV PER EC 0018-0136-98						CR



- △ HOUSING MATERIAL: GLASS-FILLED POLYESTER, COLOR: GRAY.
- △ CONTACT MATERIAL: PHOSPHOR BRONZE.
- △ PART NUMBER AND DATE CODE HOT STAMPED IN THIS APPROXIMATE AREA.
- △ ACTION PIN POSTS REQUIRE 1.57(1.062) MINIMUM THICK PC BOARD, RECOMMENDED PC BOARD DRILLED HOLES ARE 1.15±0.025(1.0453±.001) DIAMETER WITH 0.02-0.08(1.01-.003) COPPER AND 0.008(1.0003) MINIMUM TIN-LEAD PLATING, FINISHED HOLE AFTER PLATING IS 1.02±0.06(1.040±.002) DIAMETER.
- △ CONTACT FINISH: DIN 41612 CLASS 2 IN CONTACT AREA. TIN-LEAD PLATE ON POSTS.
- △ TAIL LENGTH AFTER SEATING IN PC BOARD.
- △ CONTACT FINISH: DIN 41612 CLASS 2 IN CONTACT AREA AND LAST 5.08(1.200) OF POST.
- △ CONTACT POINT AFTER SEATED IN PC BOARD.
- △ HOT STAMPING ON THIS SIDE.



△	1-148059-5
△	148059-5
△	FINISH PART NO

DO NOT SCALE PRINT. UNLESS SPECIFIED DIMENSIONS IN mm (INCHES) FRACTIONS ONLY 3 PL DEC ± . DIMENSIONS ± .	DR L. BRINER 7/26/94	AMP AMP Incorporated Harrisburg, PA 17105-9608
MATERIAL HOUSING: △ CONTACTS: △	CHK R. PATTERSON 8/9/94 APP R. PATTERSON 8/9/94 PRODUCT SPEC -	
FINISH CONTACTS: △	APPLICATION SPEC -	SIZE D 00779 SCALE 4:1
		DRAWING NO 148059 SHEET 1 OF 1

THIS DRAWING IS A CONTROLLED DOCUMENT FOR AMP INCORPORATED. IT IS SUBJECT TO CHANGE AND THE CONTROLLING ORGANIZATION SHOULD BE CONTACTED FOR THE LATEST REVISION.

CUSTOMER DRAWING