

4

3

2

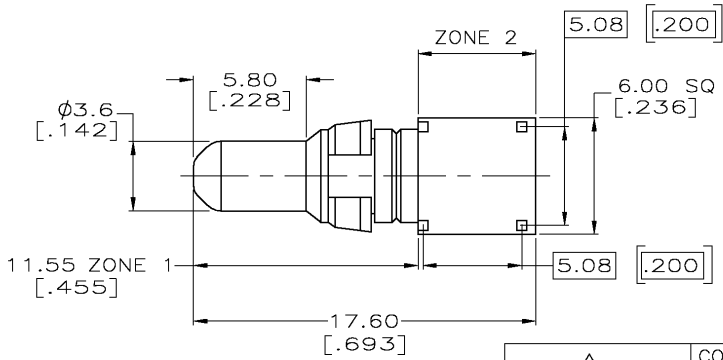
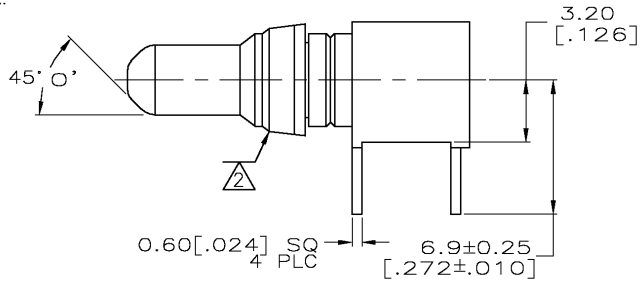
1

THIS DRAWING IS UNPUBLISHED. RELEASED FOR PUBLICATION
 © COPYRIGHT - BY TYCO ELECTRONICS CORPORATION. ALL RIGHTS RESERVED.

LOC	DIST	REVISIONS					
AD	25	P	LTR	DESCRIPTION	DATE	DWN	APVD
		0		RELEASED PER EC 0S12-0061-05	06APR05	JDP	AMS

1. SUITABLE FOR MALE TYPE M CONNECTORS.

- RETAINING RING.
- GOLD PLATE 0.000762 [.000030] MIN THICK IN ZONE 1, TIN PLATE 0.00254 [.000100] MIN THICK IN ZONE 2, NICKLE UNDERPLATE 0.00127 [.000050] MIN THICK ALL OVER.



FINISH	CONTACT; COPPER ALLOY	5148354-1
	RETAINING RING; COPPER ALLOY	
	MATERIAL	PART NUMBER

THIS DRAWING IS A CONTROLLED DOCUMENT.		DWN J. POLIGNONE	06APR05	Tyco Electronics Corporation Harrisburg, Pa 17105-3608
DIMENSIONS: mm [INCHES]		CHK A. SHARPE	06APR05	
TOLERANCES UNLESS OTHERWISE SPECIFIED:		APVD A. SHARPE	06APR05	NAME
0 PLC ± -	1 PLC ± -	PRODUCT SPEC		POWER CONTACT, MALE, RIGHT ANGLE
2 PLC ± 0.13[.005]	3 PLC ± -	APPLICATION SPEC		4 SOLDER POSTS
4 PLC ± -	ANGLES ± -	WEIGHT		(25 AMP)
MATERIAL SEE TABLE	FINISH SEE TABLE	SIZE	CAGE CODE	DRAWING NO
		A3	00779	5148354
CUSTOMER DRAWING			SCALE	5:1
			SHEET	1 OF 1
			REV	0