

4

3

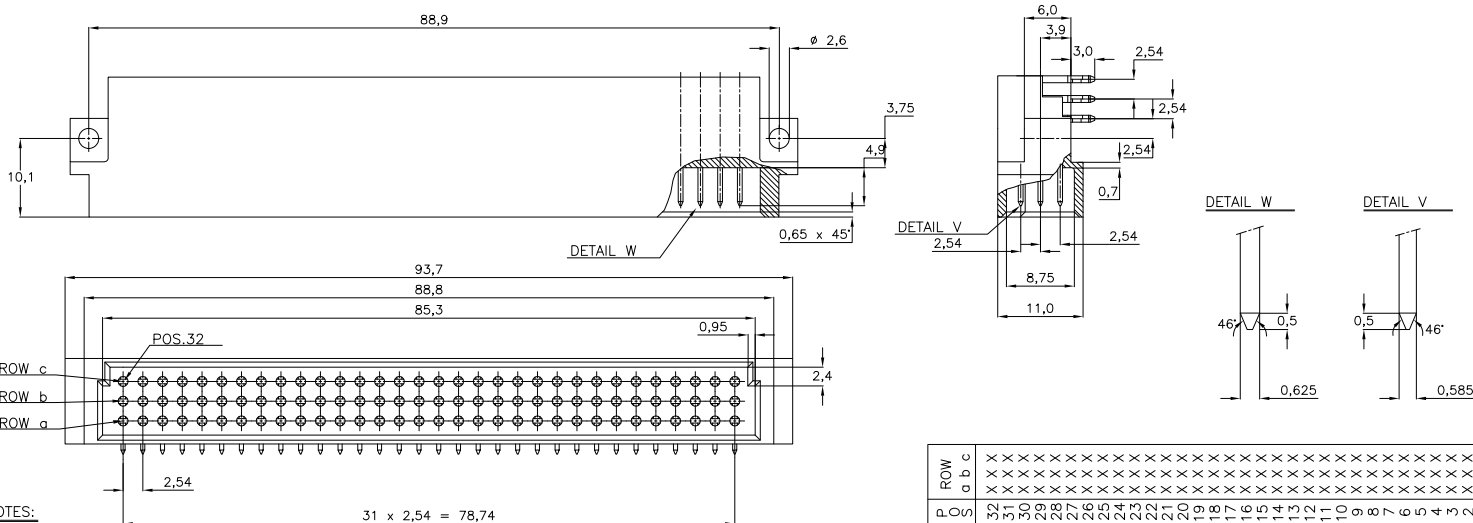
2

1

THIS DRAWING IS UNPUBLISHED. RELEASED FOR PUBLICATION  
 © COPYRIGHT - BY TYCO ELECTRONICS CORPORATION. ALL RIGHTS RESERVED.

P.C.B. HOLE DIM. ACTION PIN  
 DRILLED HOLE :1,15 ±0,025 mm  
 FIN. HOLE :0,94 to 1,09 mm  
 AFTER REFLOW :0,91 to 1,09 mm  
 Cu-thks :0,025 to 0,075 mm  
 Sn-thks :0,004 to 0,010 mm

LOC	DIST	REVISIONS				
P	LTR	DESCRIPTION	DATE	DWN	APVD	
C		EH-0927-95	03-08-95	JG	-	
D		EH-1254-96	13-06-97	JG	-	
E		ECR-07-011431	05-06-07	BSV	MKO	



- NOTES:
- MATERIAL:
    - HOUSING: THERMOPL.POLYESTER COLOUR : GREY
    - CONTACTS: PHOSPHORBRONZE
  - PLATING CONTACT :
    - 1 : 1,25 µm Au OVER 1,25 µm Ni AT CONNECTOR MATING SIDE. 2,54 µm Sn OVER 1,25 µm Ni AT ACTION-PIN AREA.
    - 4 : 0,8µm Au OVER 1,25 µm Ni AT CONNECTOR MATING SIDE. 2,54 µm Sn OVER 1,25 µm Ni AT ACTION-PIN AREA.
    - 7 : 2,0 µm Au OVER 1,25 µm Ni AT CONNECTOR MATING SIDE. 2,54 µm Sn OVER 1,25 µm Ni AT ACTION-PIN AREA.
    - 8 : 0,4µm Au OVER 1,25 µm Ni AT CONNECTOR MATING SIDE. 2,54 µm Sn OVER 1,25 µm Ni AT ACTION-PIN AREA.
    - 9 : SAME AS -4 EXCEPT WITHOUT Sn

OBSELETE	SEE NOTE	SEE NOTE	215605-0
OBSELETE	SEE NOTE	SEE NOTE	215605-8
OBSELETE	SEE NOTE	SEE NOTE	215605-7
	SEE NOTE	SEE NOTE	215605-4
	SEE NOTE	SEE NOTE	215605-1
		MATERIAL	PARTNUMBER

THIS DRAWING IS A CONTROLLED DOCUMENT.

DIMENSIONS: mm	TOLERANCES UNLESS OTHERWISE SPECIFIED:	DWN R.V. LOKVEN 16DEC86	18DEC86
0 PLC ±	1 PLC ±	CHK J.GIBBELS	
2 PLC ±	3 PLC ±	APVD	
4 PLC ±	ANGLES ± RG	PRODUCT SPEC	
MATERIAL	FINISH	APPLY SPEC	
		WEIGHT	

96 POS. DIN 41612 TYPE C-MALE CONN. WITH ACTION PIN FOR 1,6 P.C.B. THK'S

SIZE A3	CAGE CODE 00779	DRAWING NO C-215605	RESTRICTED TO
CUSTOMER DRAWING			SCALE NTS SHEET 1 of 1 REV E

Tyco Electronics Corporation 's-Hertogenbosch, Nederland

AMP 1470-19 REV 31MAR2000