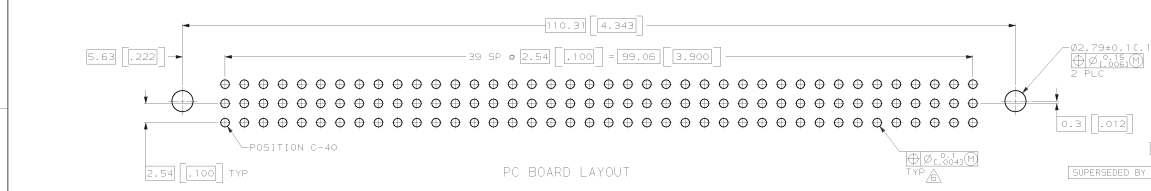
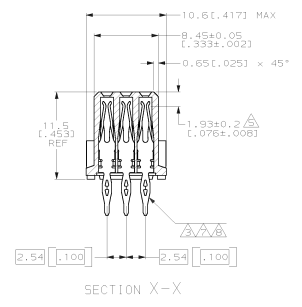
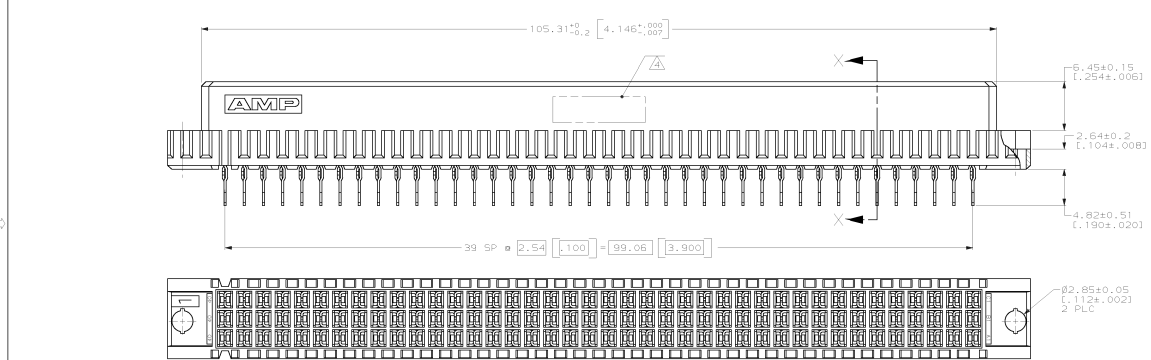
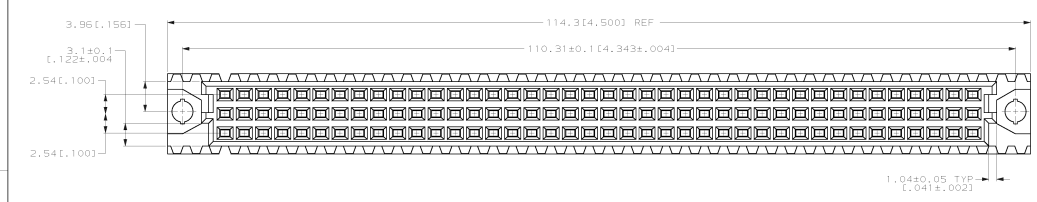


DRAWING MADE IN TRISID ANGLE PROJECTION  
 THIS DRAWING IS UNPUBLISHED. RELEASED FOR PUBLICATION  
 © COPYRIGHT 19 BY AMP INCORPORATED. ALL INTERNATIONAL RIGHTS RESERVED.

REV. NO.		DATE		DESCRIPTION		DATE	APP.
E	EC	0010-1434-95				7/18/95	RAP
F	EC	0010-1485-95				4/17/96	CR
G	REV. PER EC	0019-0367-00				10/04/11	CK



NOTES	POSITIONS LOADED	C	B	A	NO. OF POSITIONS	ASSY PART NUMBER
DO NOT SCALE PRINT. UNLESS SPECIFIED DIMENSIONS IN MM (INCHES) POLYMERES ON + P.L.C. SEE # 5.131.0051 MIMICS #						
OBsolete	1 THRU 40	X	X	X	120	535079-9
	1 THRU 40	X	X	X	120	535079-5
SUPERSEDED BY 535079-5	1 THRU 40	X	X	X	120	535079-4

REV.	DATE	DESCRIPTION	DATE	APP.
5/11/89		BRINER		
6/26/89		CHI		
6/26/89		J. BROWN		
6/26/89		APFD		
6/26/89		J. BROWN		
6/26/89		APFD		

AMP INCORPORATED Harrisburg, PA 17105

ASSEMBLY, RECEPTACLE, EUROCARD, TOOLLESS PRESSFIT, 120 POSITION

APPLICATION SPEC - SIZE D 00779 DRAWING NO 535079

FINISH CONT - SCALE 1:1 SHEET 1 OF 1

CUSTOMER DRAWING