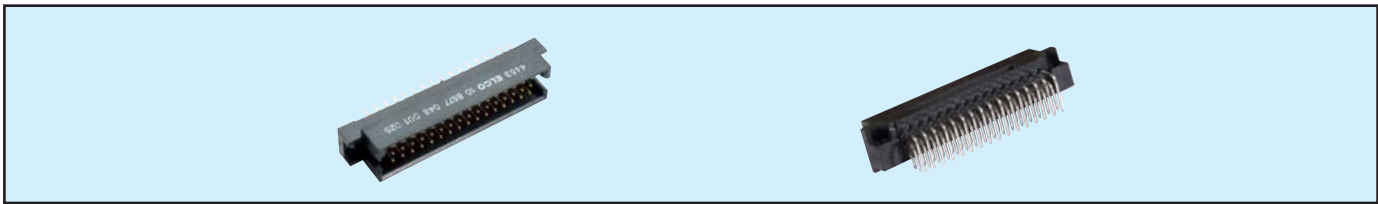


# Male Style 1/2 C High Temperature



## Series 8557 – 3 rows (3 x 16)

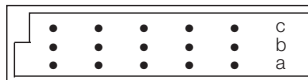


Contact Design and Termination Length	Number of Contacts	Loading Description	Part Number	
			Performance classes according to DIN 41612	
			II	I
3.4 mm (Y) Straight	48	a + b + c fully loaded	10 8557 048 001 025	10 8557 048 001 049
	32	a + c fully loaded	10 8557 048 001 026	10 8557 048 001 050
	16	a loading only	10 8557 048 001 027	10 8557 048 001 051
3.0 mm (Y) Right Angled	48	a + b + c fully loaded	10 8557 048 002 025	10 8557 048 002 049
	32	a + c fully loaded	10 8557 048 002 026	10 8557 048 002 050
	16	a loading only	10 8557 048 002 027	10 8557 048 002 051
	46 + 2	fully loaded + ground	10 8557 048 102 025	10 8557 048 102 049
2.3 mm (Y) Right Angled	48	a + b + c fully loaded	10 8557 048 008 025	10 8557 048 008 049
	32	a + c fully loaded	10 8557 048 008 026	10 8557 048 008 050
	16	a loading only	10 8557 048 008 027	10 8557 048 008 051

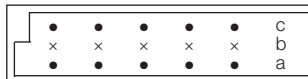
NB: Alternative Prefix Variations Available: 16, please refer to Page 10.

Additional Plating & Loading Variations: Please contact your local AVX sales office or distributor.

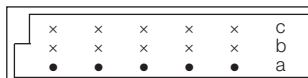
### LOADING DESCRIPTION



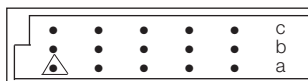
48 contacts, rows a + b + c fully loaded



32 contacts, rows a + c fully loaded



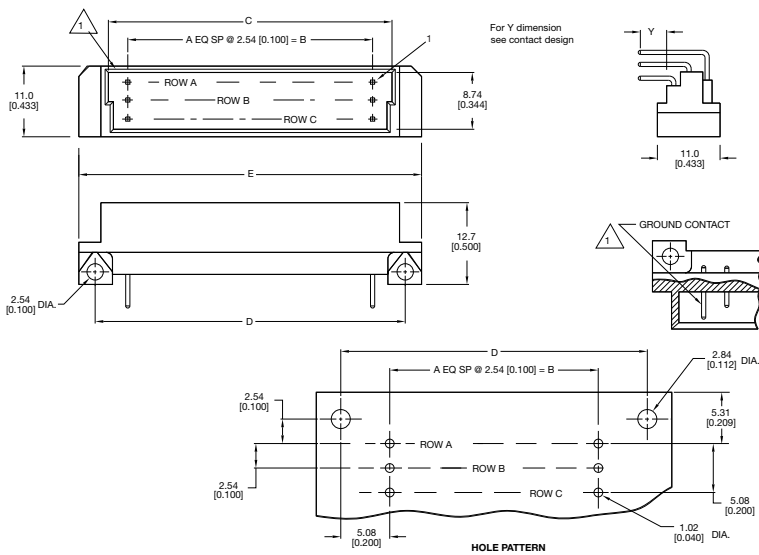
16 contacts, row a loading only



46 + 2 contacts, fully loaded with ground in A1 & A16

△ denotes ground pin

### DIMENSIONS





Unit: millimeters (inches)

No. Contact Positions	Contact Rows	A	B	C	D	E
48	3 (3 x 16)	15	38.10 (1.500)	44.70 (1.760)	48.26 (1.900)	53.90 (2.122)

# Female Style 1/2 C High Temperature

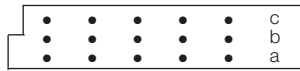
## Series 8557 – 3 rows (3 x 16)



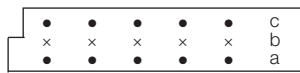
Contact Design and Termination Length	Number of Contacts	Loading Description	Part Number Performance classes according to DIN 41612	
			II	I
0.6 x 0.6 mm Post Profile 4.5 mm (Y) Straight 	48	a + b + c fully loaded	20 8557 048 001 025	20 8557 048 001 049
	32	a + c fully loaded	20 8557 048 001 026	20 8557 048 001 050
	16	a loading only	20 8557 048 001 027	20 8557 048 001 051
0.6 x 0.6 mm Post Profile 2.9 mm (Y) Straight 	48	a + b + c fully loaded	20 8557 048 002 025	20 8557 048 002 049
	32	a + c fully loaded	20 8557 048 002 026	20 8557 048 002 050
	16	a loading only	20 8557 048 002 027	20 8557 048 002 051

NB: Alternative Prefix Variations Available: 26, please refer to Page 10.  
 Additional Plating & Loading Variations: Please contact your local AVX sales office or distributor.

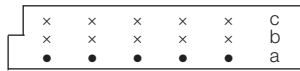
### LOADING DESCRIPTION



48 contacts, rows a + b + c fully loaded

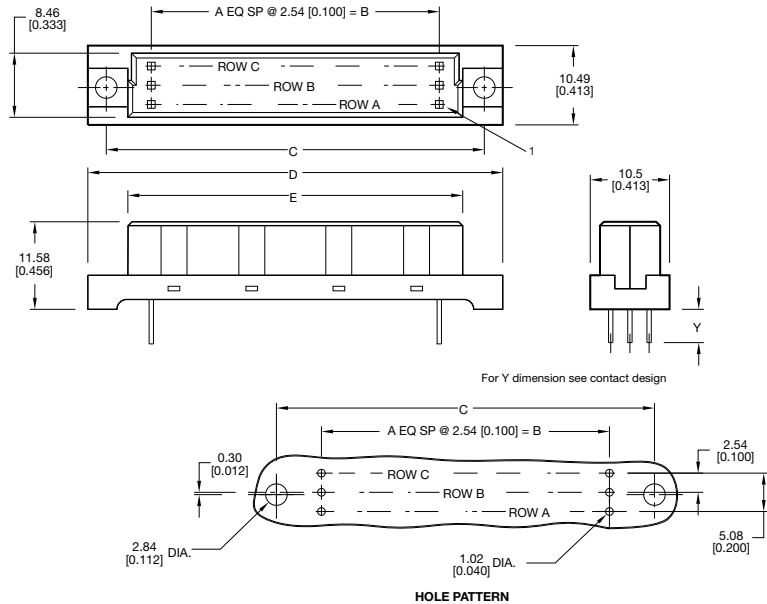


32 contacts, rows a + c fully loaded



16 contacts, row a loading only

### DIMENSIONS



Unit: millimeters (inches)

No. Contact Positions	Contact Rows	A	B	C	D	E
48	3 (3 x 16)	15	38.10 (1.500)	50.00 (1.969)	54.89 (2.161)	44.30 (1.744)

# Male Style C High Temperature



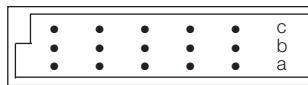
## Series 8557 – 3 rows (3 x 32)



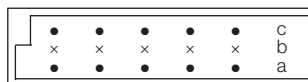
Contact Design and Termination Length	Number of Contacts	Loading Description	Part Number Performance classes according to DIN 41612	
			II	I
3.4 mm (Y) Straight	96	a + b + c fully loaded	10 8557 096 001 025	10 8557 096 001 049
	64	a + c fully loaded	10 8557 096 001 026	10 8557 096 001 050
	32	a + c even loading	10 8557 096 001 033	10 8557 096 001 057
	32	a loading only	10 8557 096 001 027	10 8557 096 001 051
3.0 mm (Y) Right Angled	96	a + b + c fully loaded	10 8557 096 002 025	10 8557 096 002 049
	64	a + c fully loaded	10 8557 096 002 026	10 8557 096 002 050
	32	a + c even loading	10 8557 096 002 033	10 8557 096 002 057
	32	a loading only	10 8557 096 002 027	10 8557 096 002 051
2.3 mm (Y) Right Angled	96	a + b + c fully loaded	10 8557 096 008 025	10 8557 096 008 049
	64	a + c fully loaded	10 8557 096 008 026	10 8557 096 008 050
	32	a + c even loading	10 8557 096 008 033	10 8557 096 008 057
	32	a loading only	10 8557 096 008 027	10 8557 096 008 051

NB: Alternative Prefix Variations Available: 16, please refer to Page 10.  
Additional Plating & Loading Variations: Please contact your local AVX sales office or distributor.

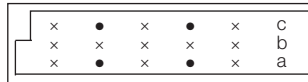
### LOADING DESCRIPTION



96 contacts, rows a + b + c fully loaded



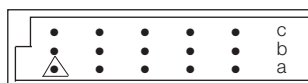
64 contacts, rows a + c fully loaded



32 contacts, rows a + c even loading



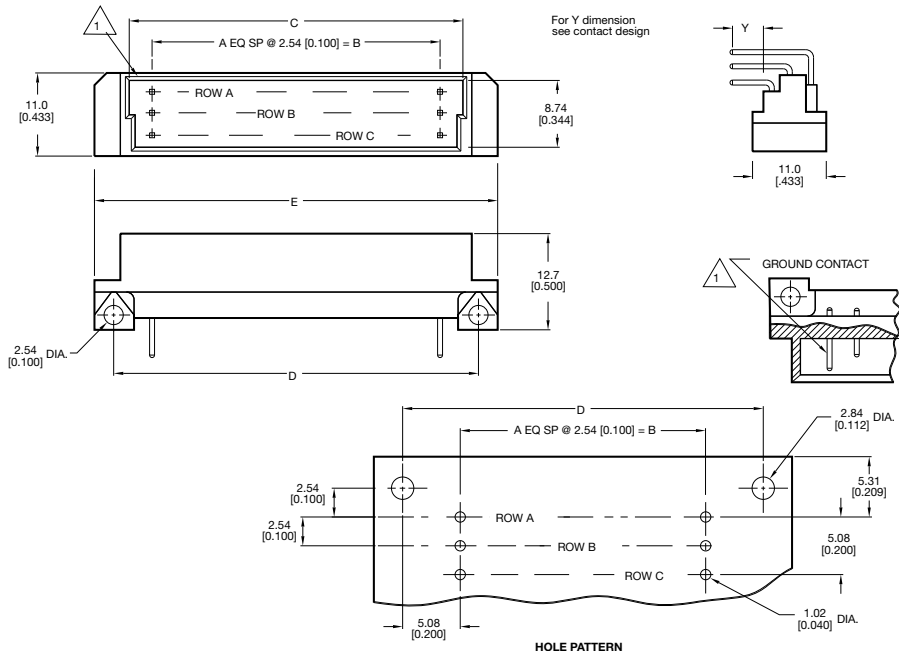
32 contacts, row a loading only



94 + 2 contacts, fully loaded with ground in A1 & A32

△ denotes ground pin

### DIMENSIONS



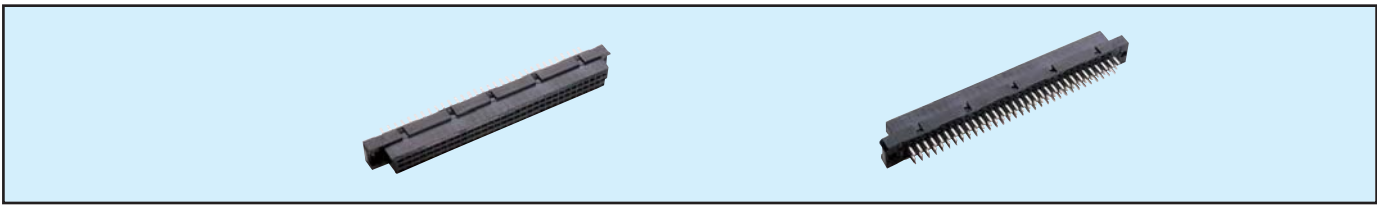
Unit: millimeters (inches)

No. Contact Positions	Contact Rows	A	B	C	D	E
96	3 (3 x 32)	31	78.74 (3.100)	85.29 (3.358)	88.90 (3.500)	93.90 (3.697)

# Female Style C High Temperature



## Series 8557 – 3 rows (3 x 32)



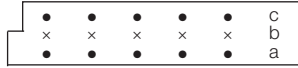
Contact Design and Termination Length	Number of Contacts	Loading Description	Part Number Performance classes according to DIN 41612	
			II	I
0.6 x 0.6 mm Post Profile 4.5 mm (Y) Straight	96	a + b + c fully loaded	20 8557 096 001 025	20 8557 096 001 049
	64	a + c fully loaded	20 8557 096 001 026	20 8557 096 001 050
	32	a + c even loading	20 8557 096 001 033	20 8557 096 001 057
	32	a loading only	20 8557 096 001 027	20 8557 096 001 051
0.6 x 0.6 mm Post Profile 2.9 mm (Y) Straight	96	a + b + c fully loaded	20 8557 096 002 025	20 8557 096 002 049
	64	a + c fully loaded	20 8557 096 002 026	20 8557 096 002 050
	32	a + c even loading	20 8557 096 002 033	20 8557 096 002 057
	32	a loading only	20 8557 096 002 027	20 8557 096 002 051

NB: Alternative Prefix Variations Available: 26, please refer to Page 10.  
 Additional Plating & Loading Variations: Please contact your local AVX sales office or distributor.

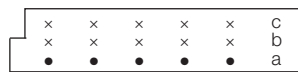
### LOADING DESCRIPTION



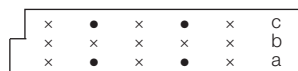
96 contacts, rows a + b + c fully loaded



64 contacts, rows a + c fully loaded

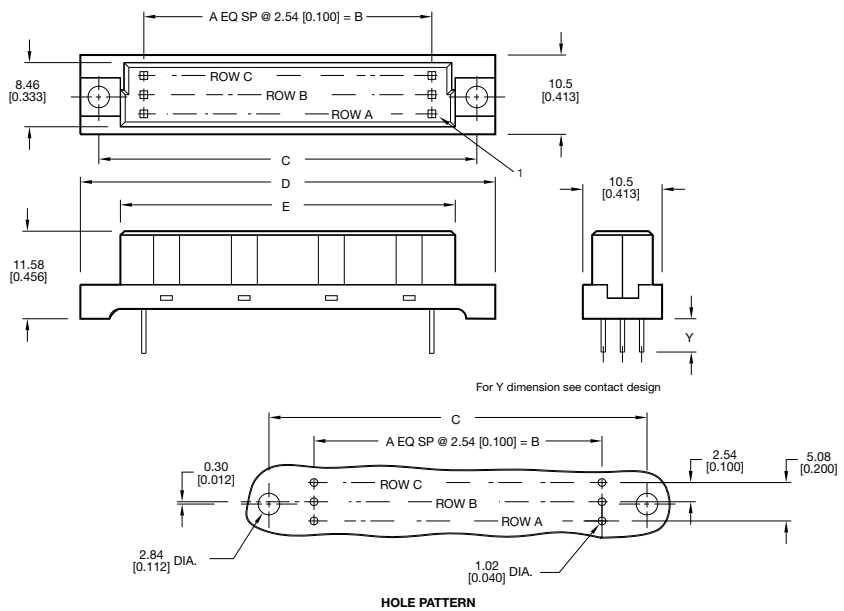


32 contacts, row a loading only



32 contacts, rows a + c even loading

### DIMENSIONS



Unit: millimeters (inches)

No. Contact Positions	Contact Rows	A	B	C	D	E
96	3 (3 x 32)	31	78.74 (3.100)	90.00 (3.543)	94.89 (3.736)	84.91 (3.343)