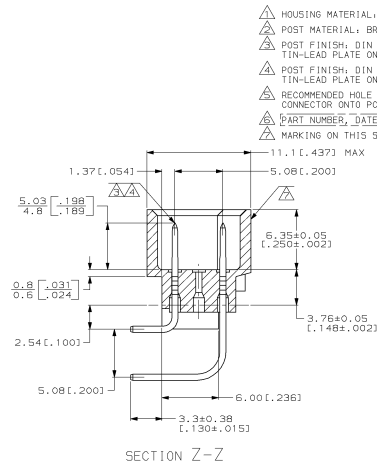
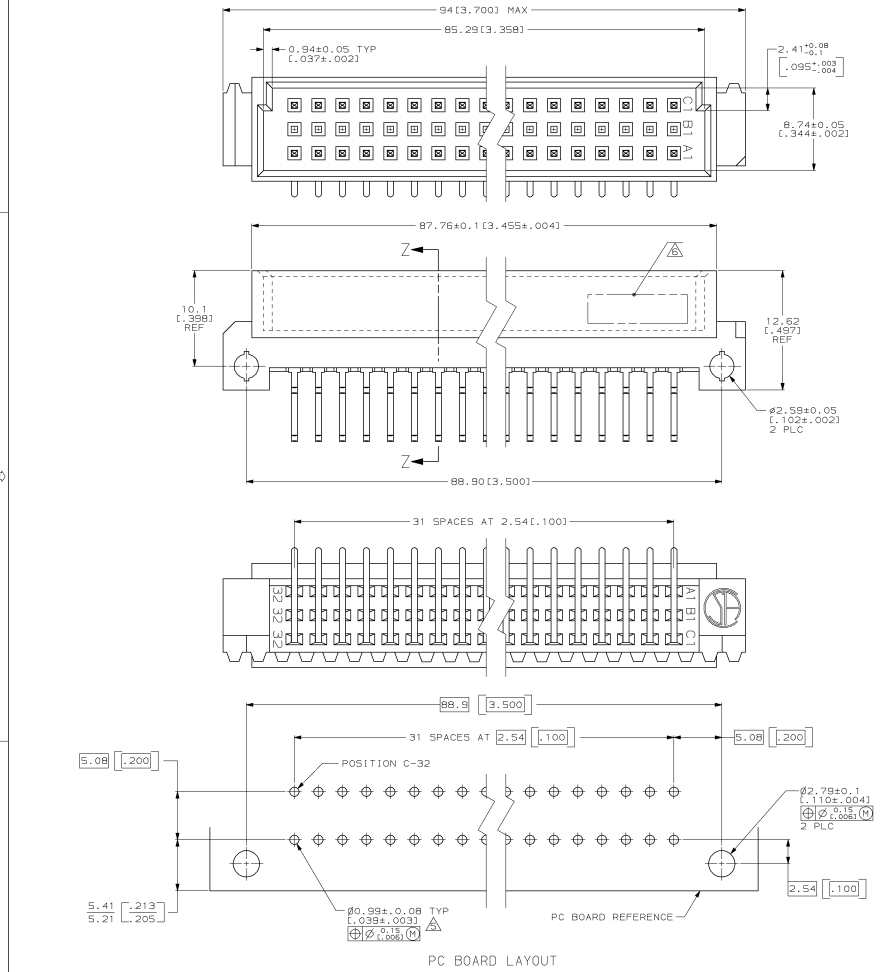


DRAWING MADE IN THIRD ANGLE PROJECTION
 THIS DRAWING IS UNPUBLISHED. RELEASED FOR PUBLICATION
 © COPYRIGHT 19 BY AMP INCORPORATED. ALL INTERNATIONAL RIGHTS RESERVED.

REV	DATE	BY	CHKD	DESCRIPTION	DATE	APP
0				DRAWN	-	-
A				ECN AD5588	1/23/91	L.SB
B				ECN AD5640	6/14/91	L.SB
C				ECN AD5876	11/14/91	L.SB
D				ECN AD5995	12/30/91	L.SB
E				ECN AD6252	5/1/92	L.SB
F				EC 0010-0404-94	3/23/94	L.SB
G				EC 0010-0436-94	3/25/94	L.SB
H				EC 0010-0077-95	2/24/95	L.SB



- △ HOUSING MATERIAL, GLASS-FILLED POLYESTER, COLOR, GRAY.
- △ POST MATERIAL, BRASS.
- △ POST FINISH, DIN 41612 CLASS 3 IN CONTACT AREA. TIN-LEAD PLATE ON POSTS.
- △ POST FINISH, DIN 41612 CLASS 2 IN CONTACT AREA. TIN-LEAD PLATE ON POSTS.
- △ RECOMMENDED HOLE SIZE FOR MANUAL APPLICATION OF CONNECTOR ONTO PC BOARD.
- △ PART NUMBER, DATE CODE MARKED THIS APPROXIMATE AREA. MARKING ON THIS SIDE.

OBsolete	POSITIONS LOADED	C	B	A	NO. OF LOADED POSITIONS	ASSY PART NUMBER
△	1-32	X	-	X	64	650951-9
△	1-32	X	-	X	64	650951-5

DO NOT SCALE PRINT. UNLESS SPECIFIED, DIMENSIONS IN mm (INCHES) TOLERANCES ON + P.L.C. DEC ± 0.131 (0.005) INCHES ±	DR L. BRINER 3/20/91	AMP Incorporated Harrisburg, PA 17105-3608	PART NO
MATERIAL HOUSING: △ POST: △	CHK D.C. RUBENDALL 1/77/92 APP D.C. RUBENDALL 1/77/92 MATERIAL K.R. PARNER PRODUCT SPEC 1/77/92		NAME
FINISH	APPLICATION SPEC	SIZE	CAGE CODE DRAWING NO
POST: △		D	00779 650951
WEIGHT		SCALE	5:1 SHEET 1 OF 1

CUSTOMER DRAWING